



nile air tools

SN TYPE SLIDING AIR NIPPERS

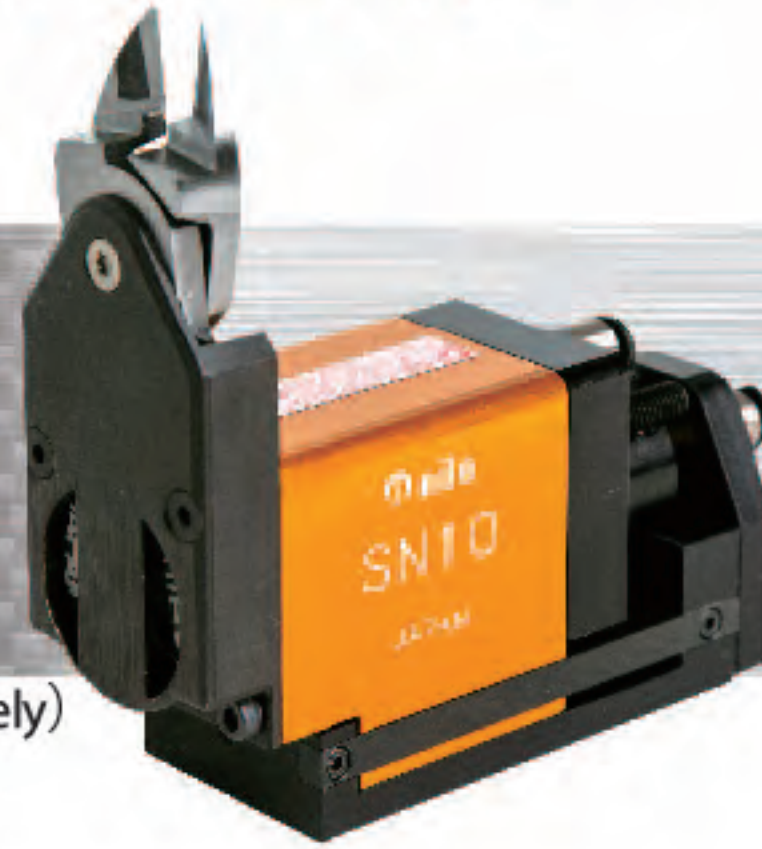


SN TYPE SLIDING AIR NIPPERS

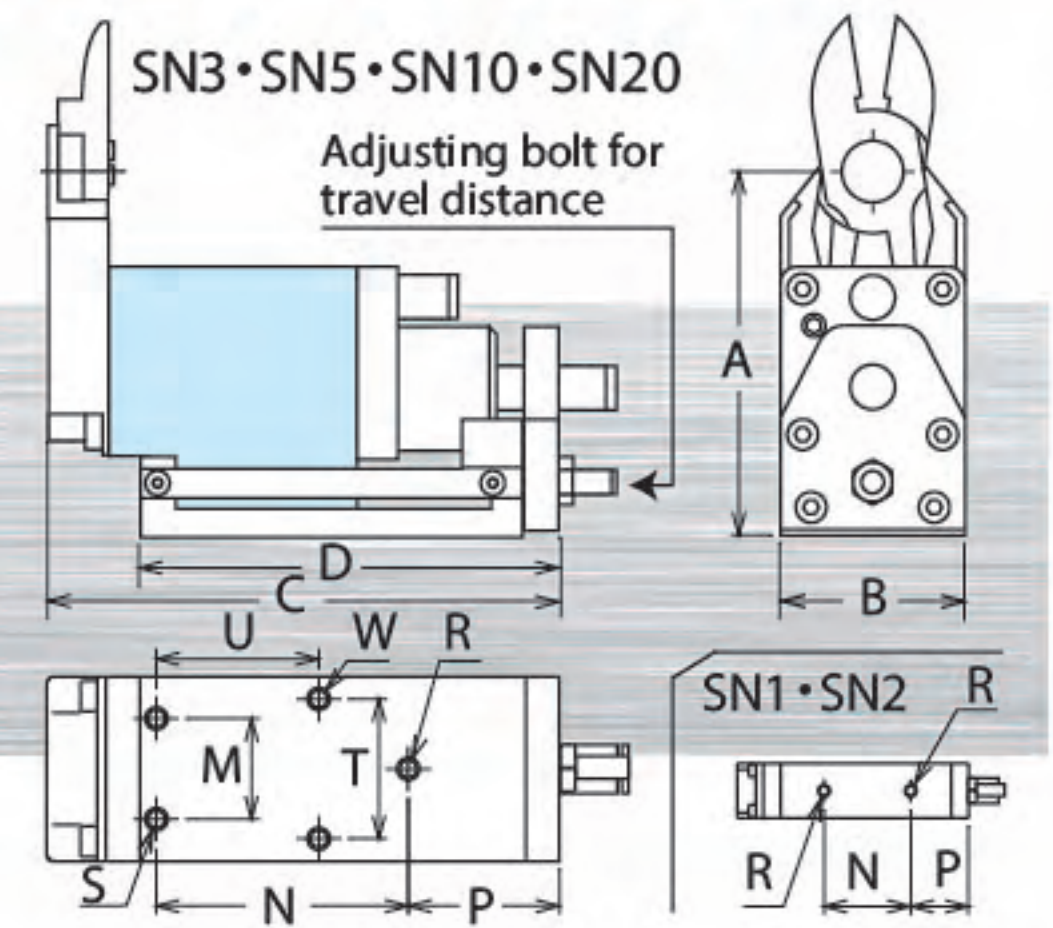
SN-series : Pull&Cut type SNP-series : Push&Cut type

MACHINE-FITTING TYPE

SN Type
Pull&Cut type



SN10 (Blade sold separately)

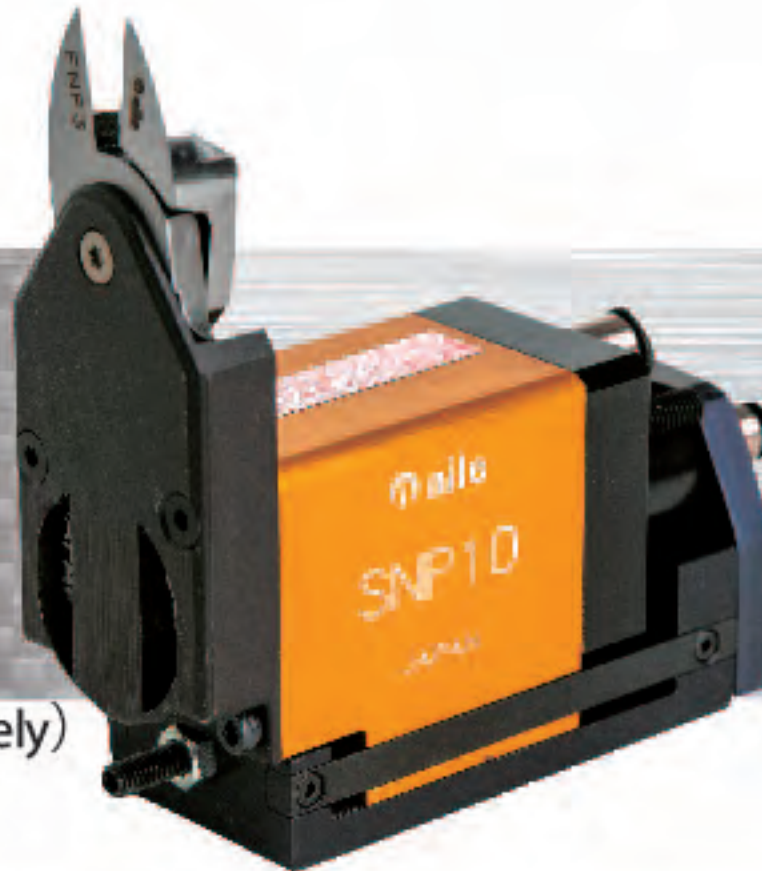


SN type specification

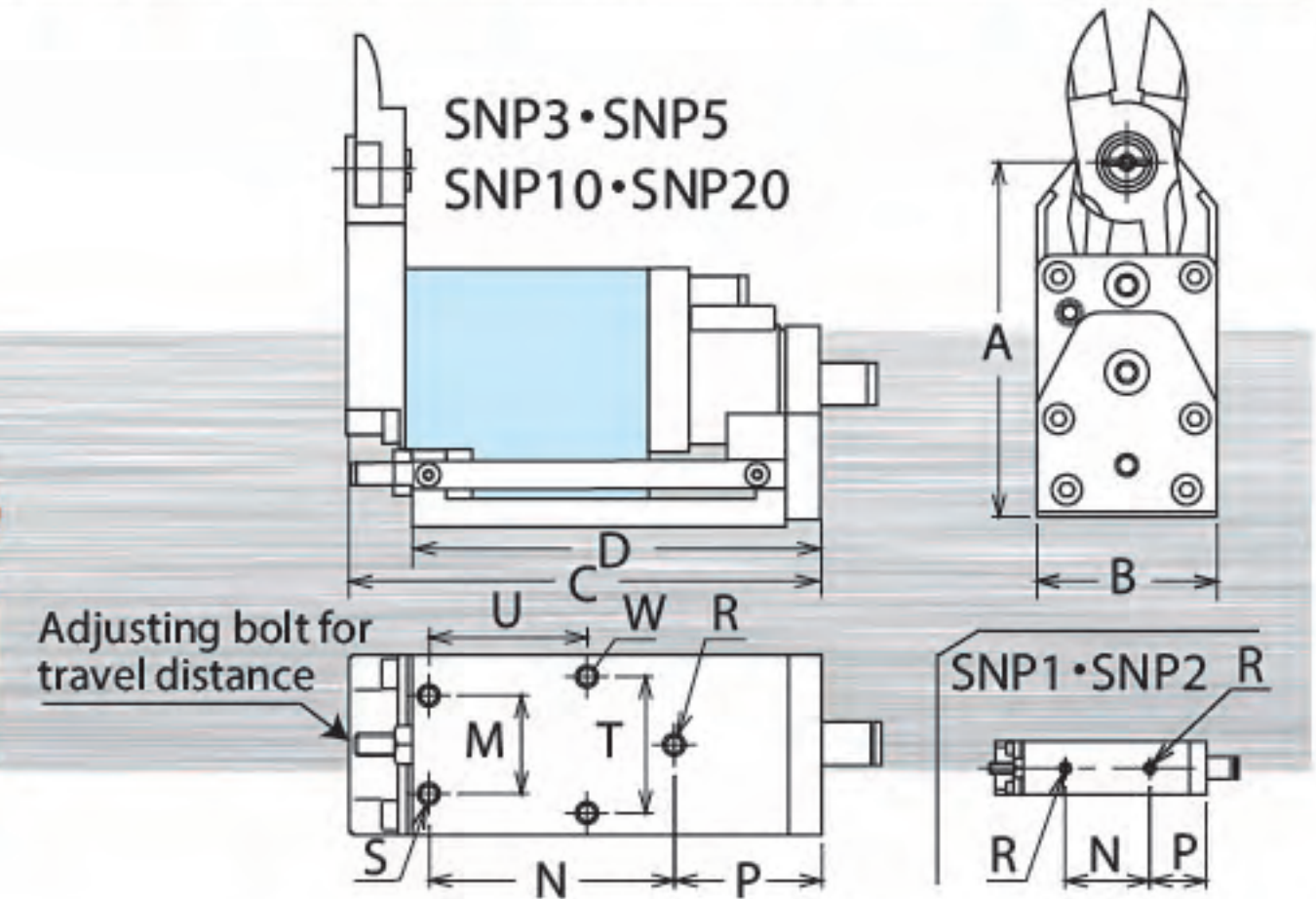
Model (less blade)	Weight (g)	Air consumption (cm ³ /stroke)	Air pressure (MPa)	Fitting size		Dimensions (mm)											
				Hose coupling	Body Internal thread	A	B	C	D	M	N	P	R	S	T	U	W
SN1	140	16	0.5	M5P=0.8	Outer diameter φ4	61	16.5	80	65	-	30	20	M4	-	-	-	-
SN2	160	21	0.5	M5P=0.8	Outer diameter φ4	61	19	80	65	-	30	20	M4	-	-	-	-
SN3	170	24	0.5	M5P=0.8	Outer diameter φ4	59	23	79.6	65	12	37	25	M4	M4D5	15	23	M4
SN5	220	47	0.5	M5P=0.8	Outer diameter φ4	63	28	83.6	69	14	40	26	M4	M4D6	20	24	M4
SN10	300	60	0.5	M5P=0.8	Outer diameter φ4	70	33	91.6	75	18	45	27	M4	M4D6	25	29	M4
SN20	595	153	0.5	M5P=0.8	Outer diameter φ4	82	42	110	90	22	58	28	M4	M4D7	30	32	M5

MACHINE-FITTING TYPE

SNP Type
Push&Cut type



SNP10 (Blade sold separately)



SNP type specification

Model (less blade)	Weight (g)	Air consumption (cm ³ /stroke)	Air pressure (MPa)	Fitting size		Dimensions (mm)											
				Hose coupling	Body Internal thread	A	B	C	D	M	N	P	R	S	T	U	W
SNP1	140	16	0.5	M5P=0.8	Outer diameter φ4	61	16.5	80	65	-	30	20	M4	-	-	-	-
SNP2	160	21	0.5	M5P=0.8	Outer diameter φ4	61	19	80	65	-	30	20	M4	-	-	-	-
SNP3	170	24	0.5	M5P=0.8	Outer diameter φ4	59	23	79.6	65	12	37	25	M4	M4D5	15	23	M4
SNP5	220	47	0.5	M5P=0.8	Outer diameter φ4	63	28	83.6	69	14	40	26	M4	M4D6	20	24	M4
SNP10	300	60	0.5	M5P=0.8	Outer diameter φ4	70	33	91.6	75	18	45	27	M4	M4D6	25	29	M4
SNP20	595	153	0.5	M5P=0.8	Outer diameter φ4	82	42	110	90	22	58	28	M4	M4D7	30	32	M5

※1 The dimensions shown are for reference only. Please allow for slight changes in dimensions and shape during production.

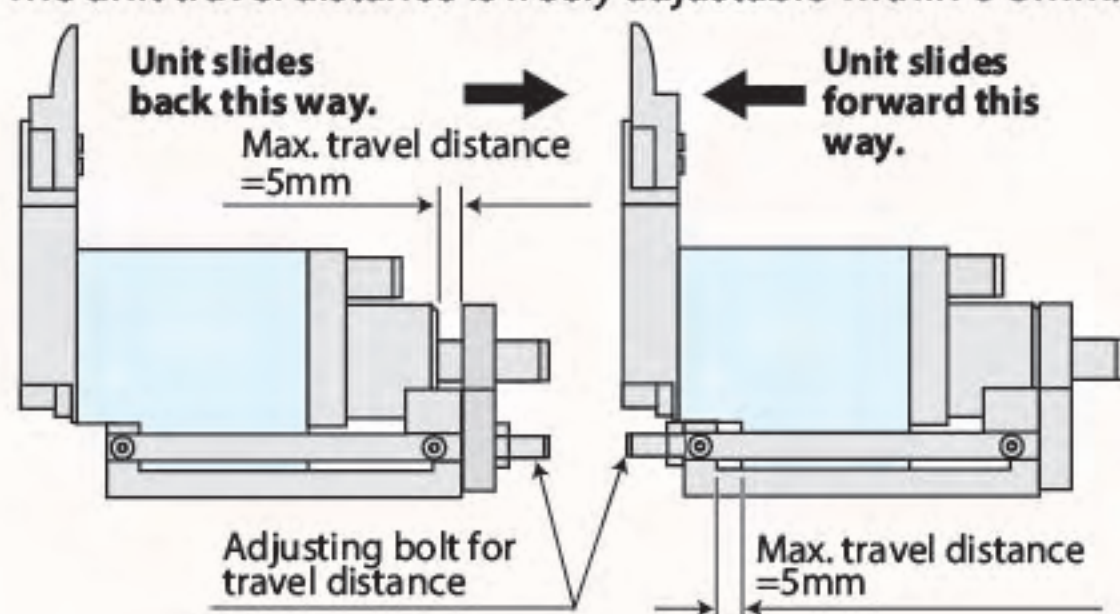
※2 Cutting capacity will vary depending on ambient temperature and molding conditions. ※3 During operation, the piston protrudes a few millimeters from the body.

★ Blade sold separately

REMARKABLE FEATURES

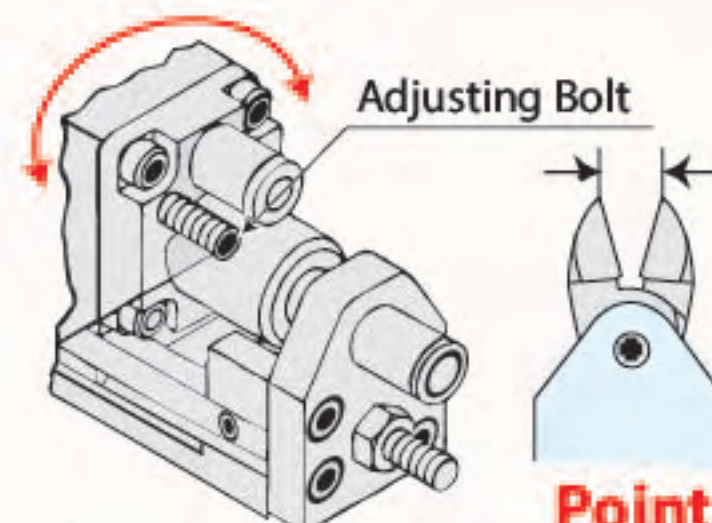
Point 1

"Pull & Cut"(SN-series) and "Push & Cut"(SNP-series) are lined up for your choice. The unit travel distance is freely adjustable within 0-5mm.



Point 2

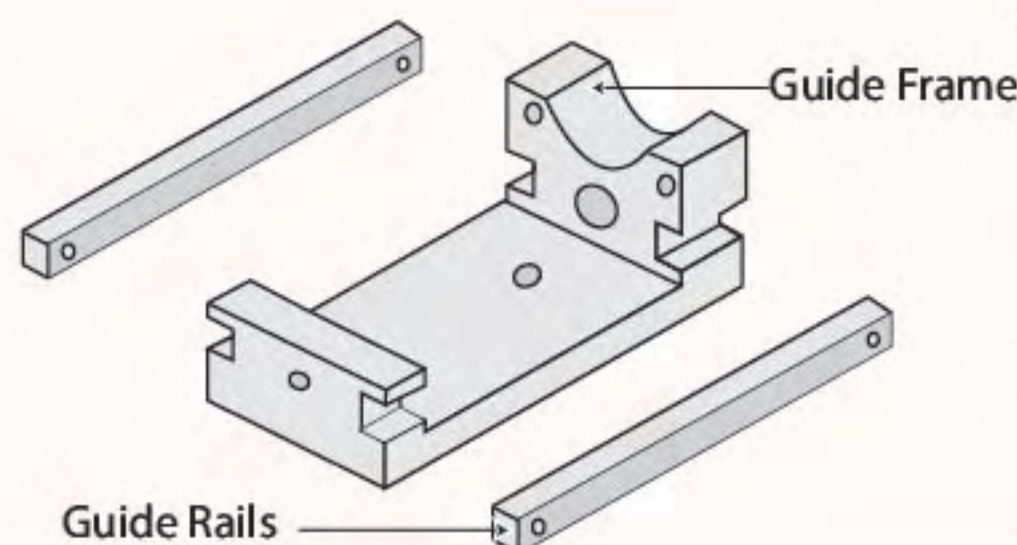
The blade opening is adjustable by turning the adjusting bolt.



Model	Blade	Model	Blade	Min.	Max.
SN2	FNS10	SNP2	FNSP10	1.0	2.8
SN3	FNS10	SNP3	FNSP10	1.5	3.5
SN5	FNS1	SNP5	FNSP1	2.0	5.5
SN10	FNS3	SNP10	FNSP3	3.0	7.0
SN20	FNS5	SNP20	FNSP5	5.0	8.5

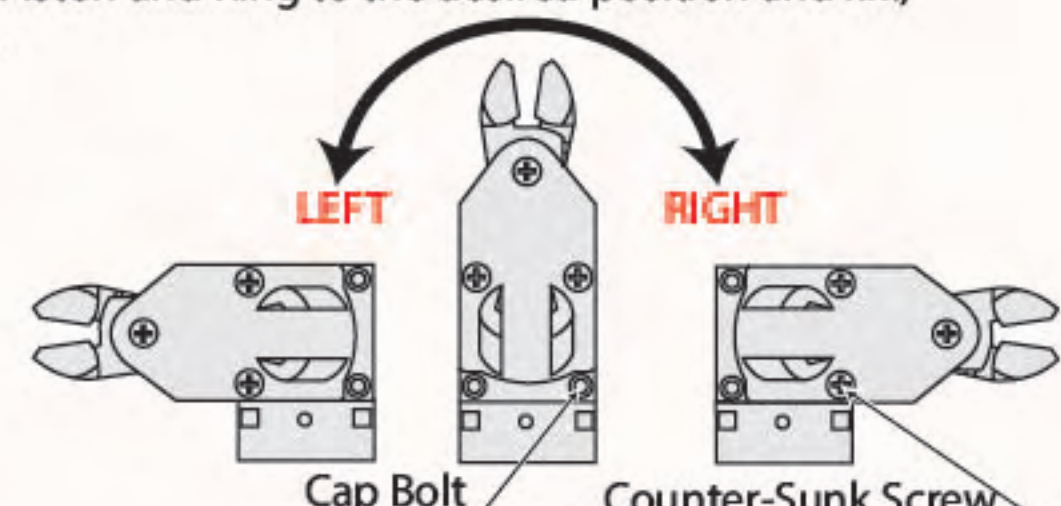
Point 4

Cutting units are guided with parallel rails while traveling assuring the minimum play in vertical and horizontal direction.



Point 5

Blade Holder can be set on the stand base at 90° angle either to left or right as illustrated. (Excepting SN3 and SNP3.) (Loosen counter-sunk screws and cap bolts, then turn Blade Holder Plate together with Piston and Ring to the desired position and fix.)



Point 3

Any special cutting blade can be designed and manufactured to meet your application even for 1 piece.