



MERRY

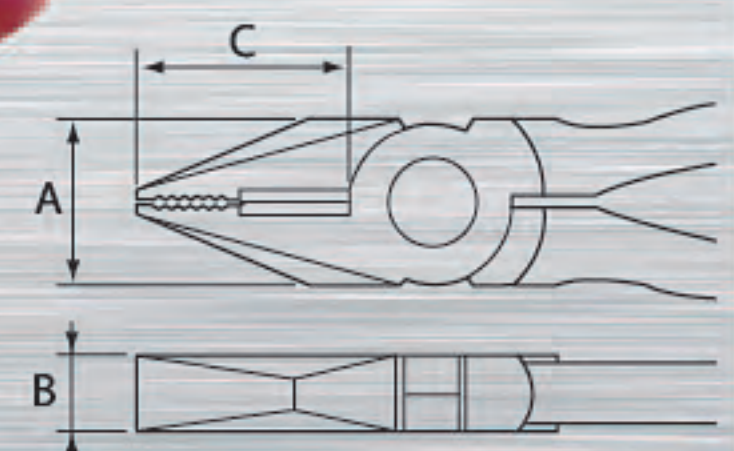
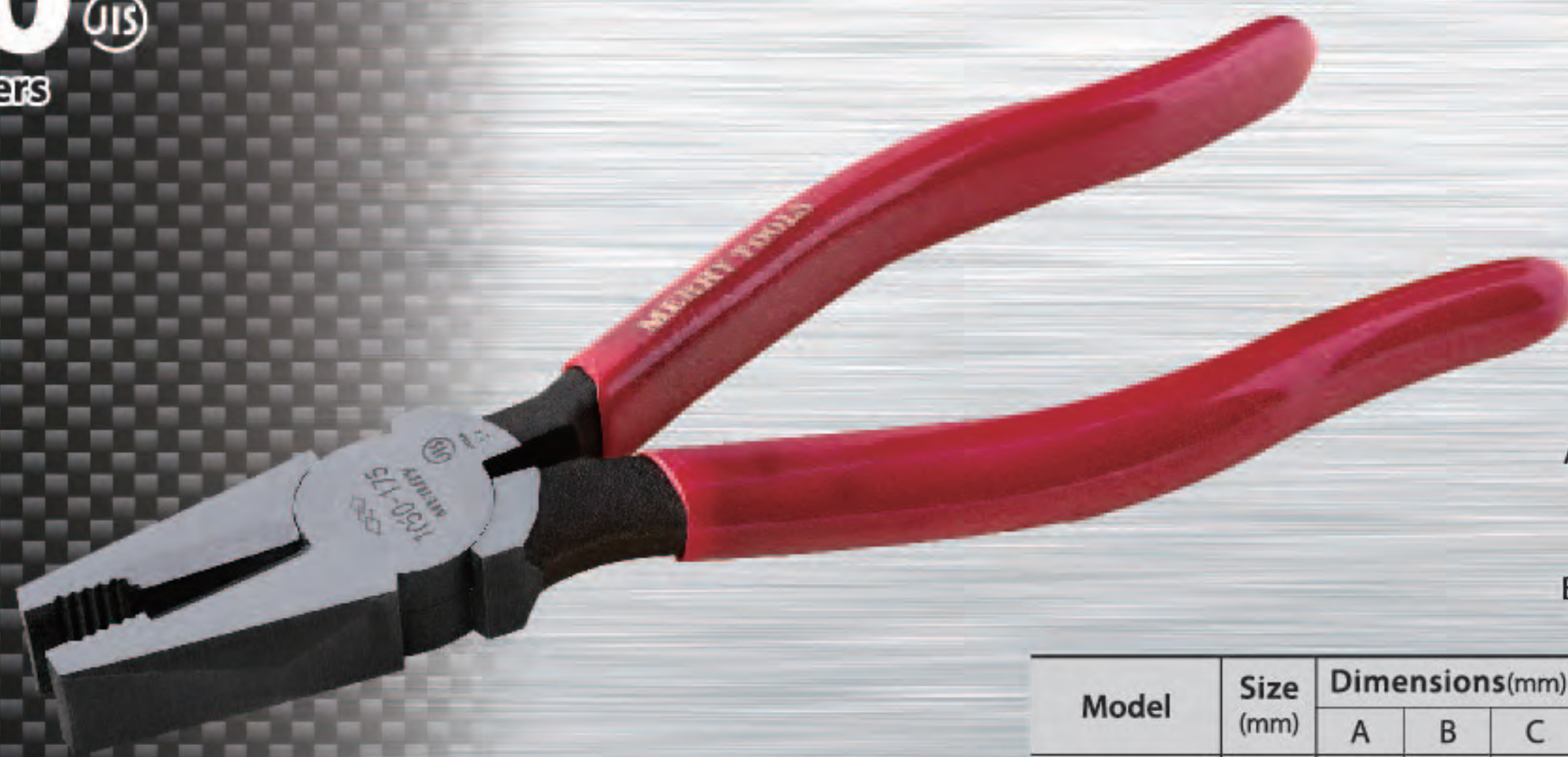
SIDE CUTTING PLIERS



SIDE CUTTING PLIERS

1050 [Ⓜ]JIS

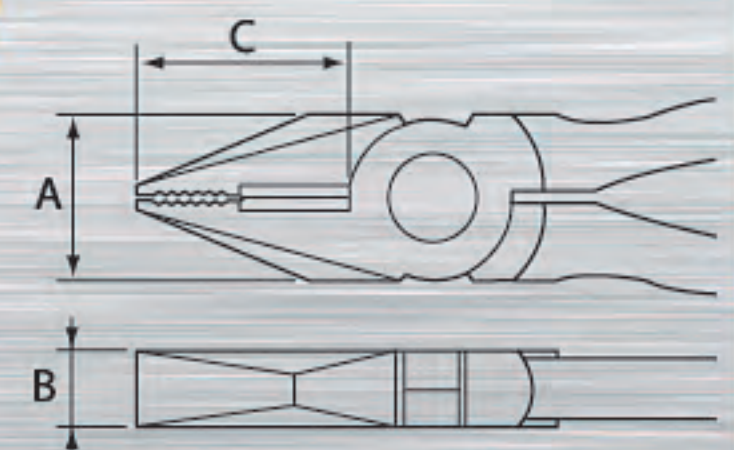
Side cutting pliers



Model	Size (mm)	Dimensions(mm)			Weight (g)	Cutting capacity (φmm)	
		A	B	C		Steel wire	Copper wire
[Ⓜ] JIS 1050-150	150	22.0	12.5	26.0	215	2.0	3.0
[Ⓜ] JIS 1050-175	175	23.5	13.5	30.5	300	2.6	3.5
[Ⓜ] JIS 1050-200	200	26.5	14.5	32.0	395	3.2	4.0

1050H [Ⓜ]JIS

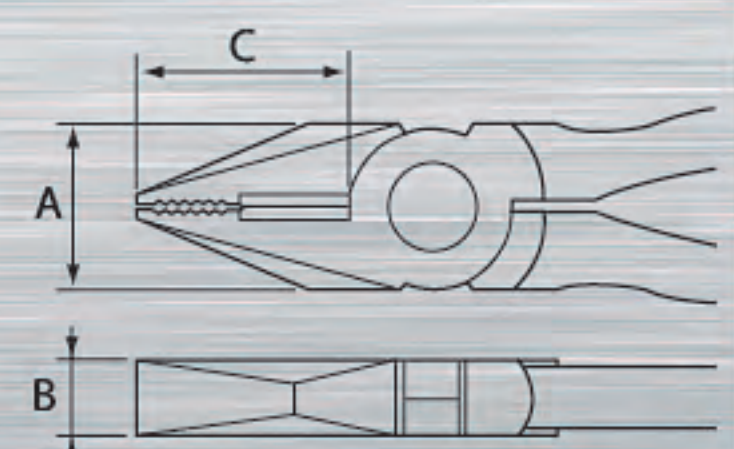
Side cutting pliers



Model	Size (mm)	Dimensions(mm)			Weight (g)	Cutting capacity (φmm)	
		A	B	C		Steel wire	Copper wire
[Ⓜ] JIS 1050H-150	150	22.0	12.5	26.0	225	2.0	3.0
[Ⓜ] JIS 1050H-175	175	23.5	13.5	30.5	310	2.6	3.5
[Ⓜ] JIS 1050H-200	200	26.5	14.5	32.0	410	3.2	4.0

2050

High leverage side cutting pliers

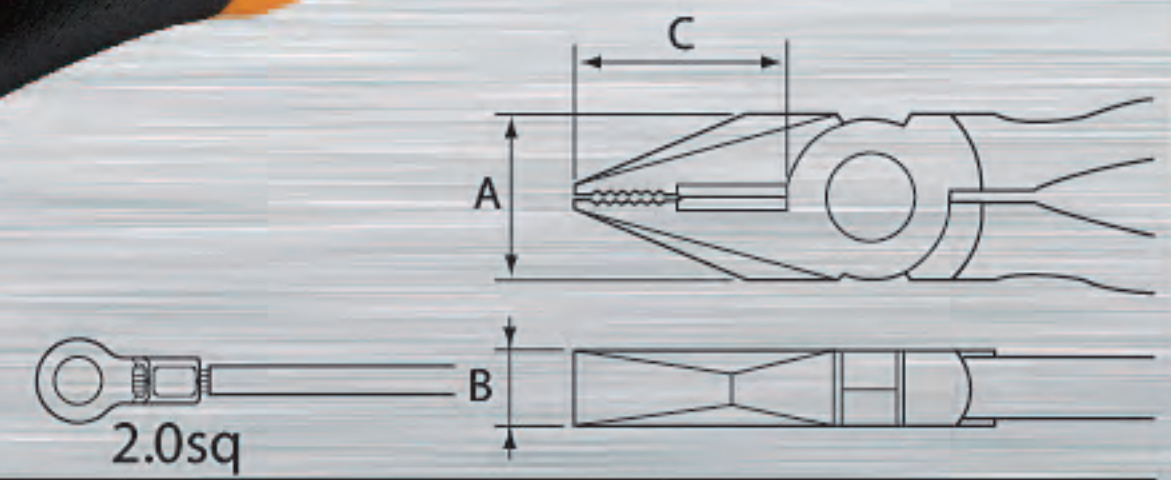


Model	Size (mm)	Dimensions(mm)			Weight (g)	Cutting capacity (φmm)	
		A	B	C		Steel wire	Copper wire
2050-185	185	25.5	13.5	33.0	310	3.2	4.0
2050-225	225	27.0	14.5	35.0	415	3.6	4.5

SIDE CUTTING PLIERS

2060 2060N

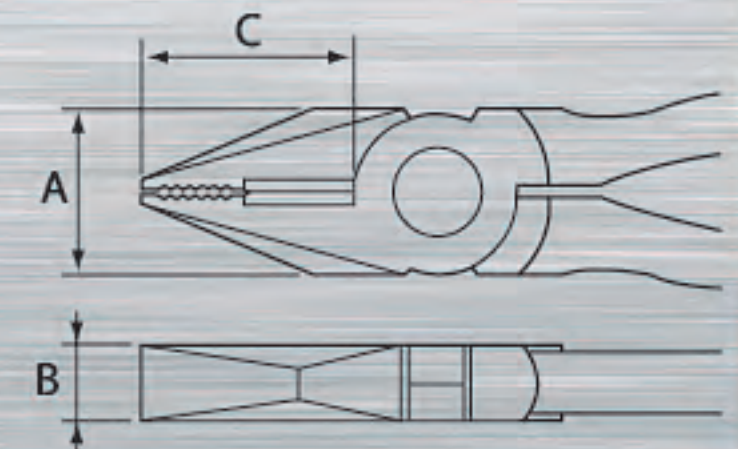
High leverage
side cutting pliers
<with crimping die>



Model	Size (mm)	Dimensions(mm)			Weight (g)	Cutting capacity (φmm)	
		A	B	C		Steel wire	Copper wire
2060	200	25.5	13.5	37.0	330	3.2	4.0
2060N	200	25.5	13.5	37.0	335	3.2	4.0

2060U

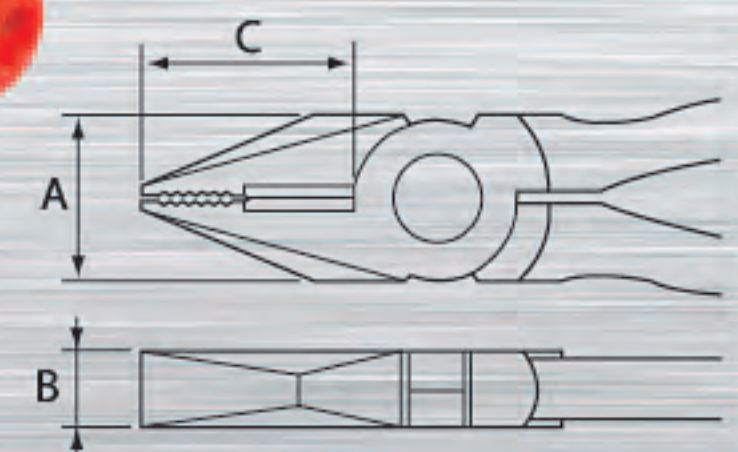
VA cutting pliers
<with crimping die>



Model	Size (mm)	Dimensions(mm)			Weight (g)	Cutting capacity (φmm)	
		A	B	C		Copper wire	VVF wire
2060U	200	25.5	13.5	37.0	290	4.0	φ2.0×3.0

2080 2080N

Slim type side cutting pliers



Model	Size (mm)	Dimensions(mm)			Weight (g)	Cutting capacity (φmm)	
		A	B	C		Steel wire	Copper wire
2080-185	185	20.0	12.0	33.0	245	3.2	4.0
2080-210	210	23.0	12.5	37.0	330	3.6	4.5
2080N-185	185	20.0	12.0	33.0	245	3.2	4.0
2080N-210	210	23.0	12.5	37.0	330	3.6	4.5

SIDE CUTTING PLIERS

6050

Side cutting pliers
 <with crimping die>



Model	Size (mm)	Dimensions(mm)			Weight (g)	Cutting capacity (φmm)	
		A	B	C		Steel wire	Copper wire
6050	185	24.0	14.0	33.0	315	2.6	3.5

XP200

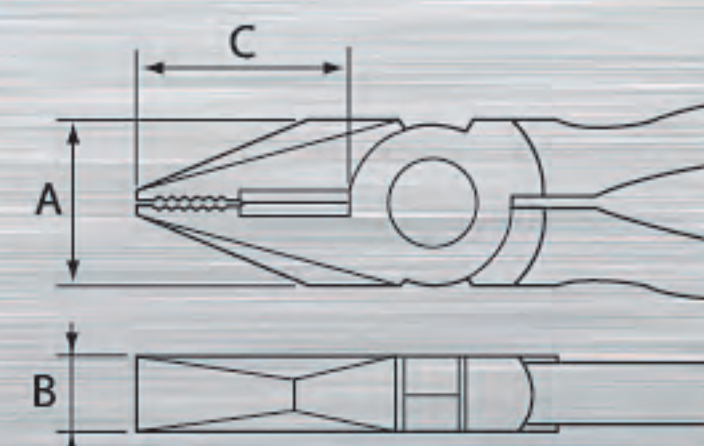
Side cutting pliers
 for electrical work



Model	Size (mm)	Dimensions(mm)			Weight (g)	Cutting capacity (φmm)	
		A	B	C		Steel wire	Copper wire
XP200	200	27.5	13.5	33.0	380	3.6	4.5

8050

Center cutting pliers

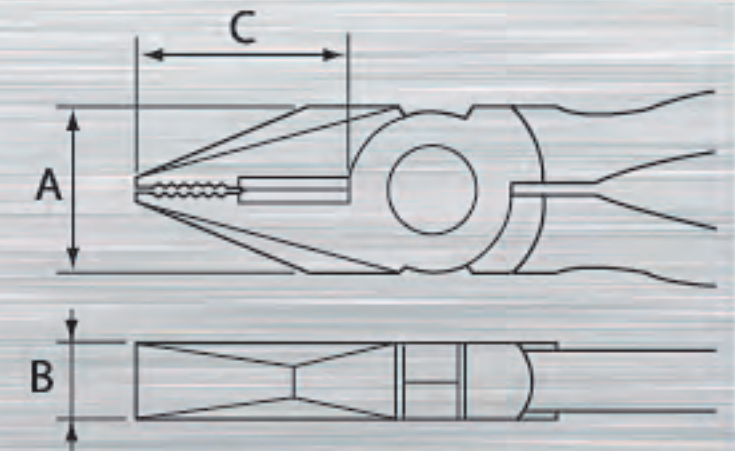


Model	Size (mm)	Dimensions(mm)			Weight (g)	Cutting capacity (φmm)		
		A	B	C		Steel wire	Copper wire	VVF
8050-185	185	23.5	11.5	30.0	235	3.2	4.0	1.6×3
8050-210	210	24.5	13.5	36.0	300	3.6	4.5	2.0×3

SIDE CUTTING PLIERS

2070

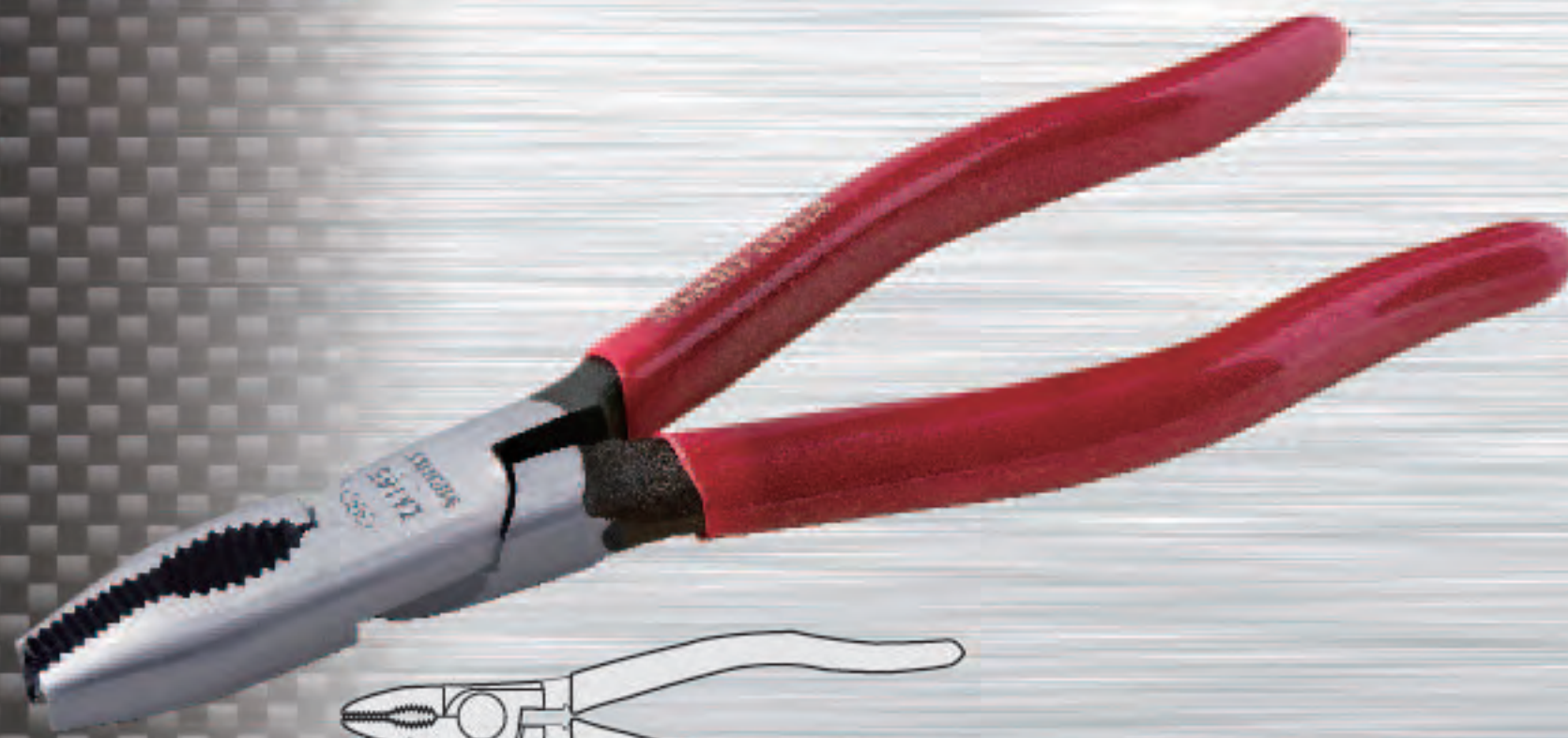
High leverage
side cutting pliers



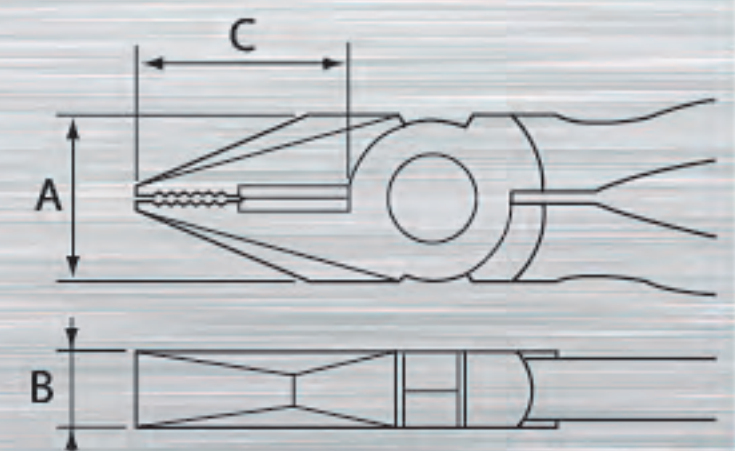
Model	Size (mm)	Dimensions(mm)			Weight (g)	Cutting capacity (φmm)	
		A	B	C		Steel wire	Copper wire
2070	225	27.0	12.4	38.5	360	4.0	5.0

ZA185

Screw pliers



(The Body) M5~M8 (diameter of the head is less than φ14)
(The Tip) M2~M6 (diameter of the head is less than φ10)



Model	Size (mm)	Dimensions(mm)			Weight (g)	Screw size
		A	B	C		
ZA185	185	21.0	13.0	31.0	280	Tip screw : M2~M6 Body screw : M5~M8

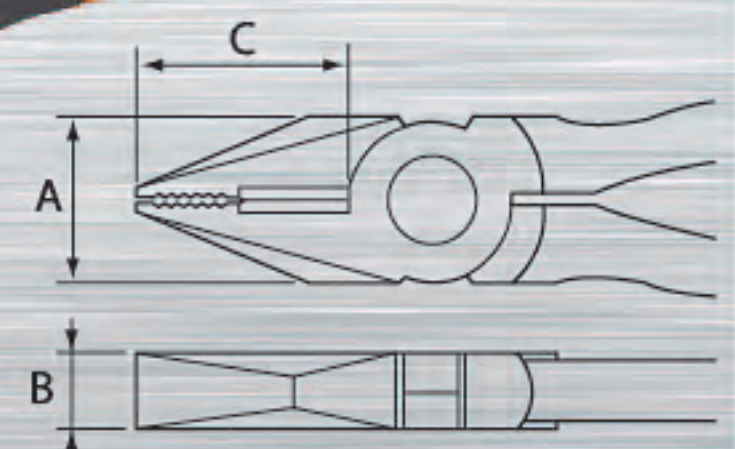
ZA7050

Screw pliers

These revolutionary pliers combine the functions of ZA185 (Screw Pliers) and 7050-14 (Side cutting pliers<with Screw pliers>).

The tip can firmly grip crushed or rusted screws.

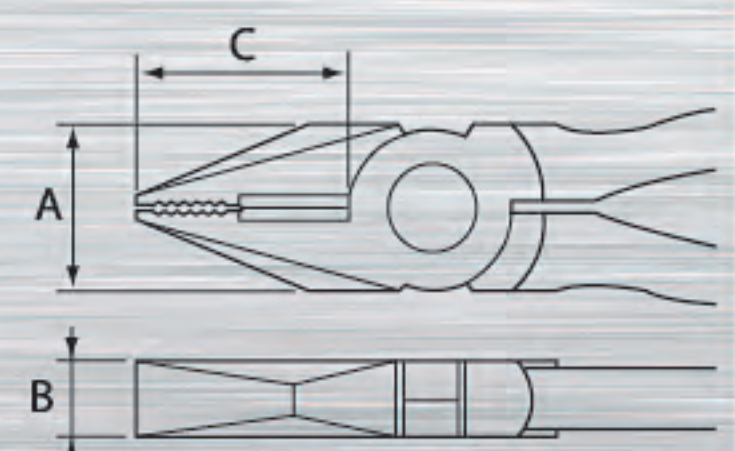
It can modify the threaded rod of W3/8 inch cuttings. Cutting of iron and copper wires is also acceptable.



Model	Size (mm)	Dimensions(mm)			Weight (g)	Cutting capacity (φmm)	
		A	B	C		Steel wire	Copper wire
ZA7050	200	26.5	14.5	32.0	375	3.2	4.0

MG7050

Pliers with magnet



Model	Size (mm)	Dimensions(mm)			Weight (g)	Cutting capacity (φmm)	
		A	B	C		Steel wire	Copper wire
MG7050-7	175	24.0	14.0	31.0	295	2.6	3.5
MG7050-8	200	26.0	15.0	32.5	400	3.2	4.0



MERRY

**LONG NOSE SIDE
CUTTING PLIERS
&
PLIERS**

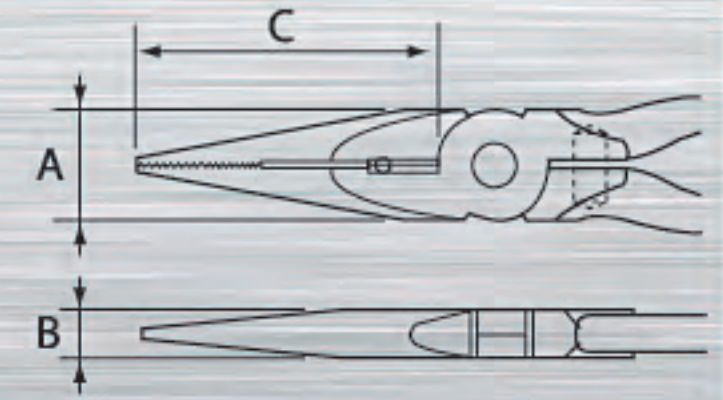
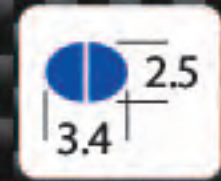


LONG NOSE SIDE CUTTING PLIERS & PLIERS

105[Ⓜ]

Long nose side cutting pliers

Spring Loaded

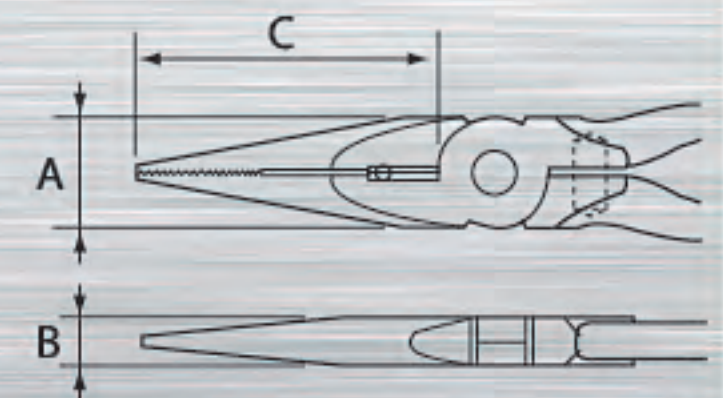
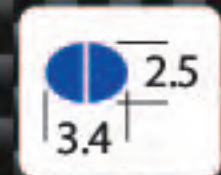


Model	Size (mm)	Dimensions (mm)			Weight (g)	Cutting capacity (φ mm)	
		A	B	C		Steel wire	Copper wire
[Ⓜ] 105-150	150	17.0	10.5	50.0	140	1.5	2.6
105-175	175	19.0	10.5	59.0	185	2.0	3.0

105H[Ⓜ]

Long nose side cutting pliers

Spring Loaded

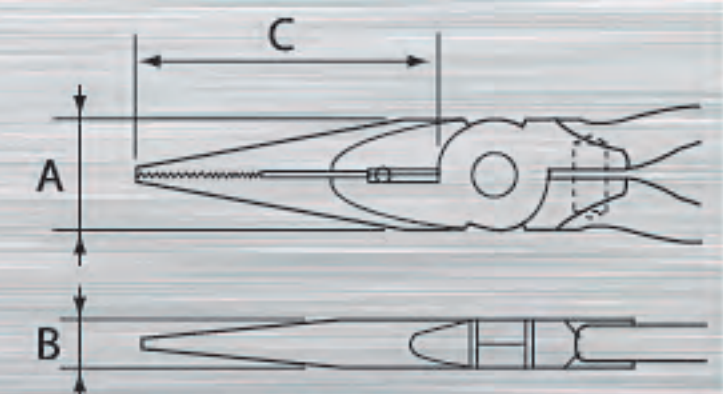
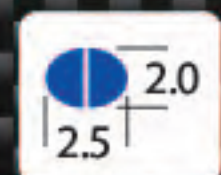


Model	Size (mm)	Dimensions (mm)			Weight (g)	Cutting capacity (φ mm)	
		A	B	C		Steel wire	Copper wire
[Ⓜ] 105H-150	150	17.0	10.5	50.0	140	1.5	2.6
105H-175	175	19.0	10.5	59.0	185	2.0	3.0

150

Long nose side cutting pliers
<slim type>

Spring Loaded

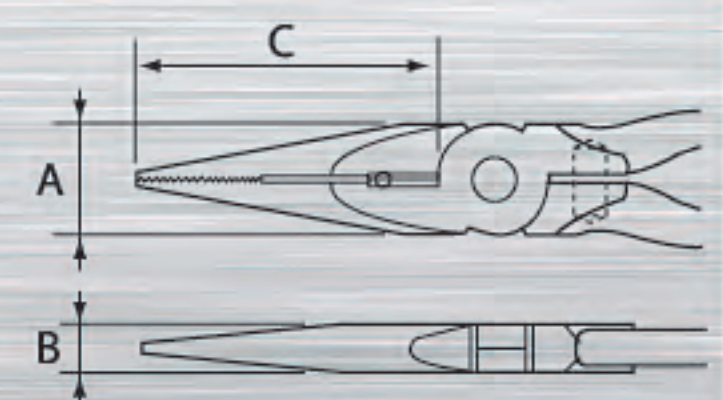
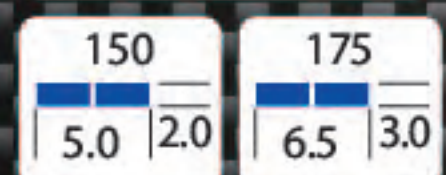


Model	Size (mm)	Dimensions (mm)			Weight (g)	Cutting capacity (φ mm)	
		A	B	C		Steel wire	Copper wire
150	150	12.0	7.5	57.5	85	1.2	2.0

105F

Flat nose pliers

Spring Loaded



Model	Size (mm)	Dimensions (mm)			Weight (g)
		A	B	C	
105F-150	150	17.0	10.0	50.0	140
105F-175	175	19.5	11.5	59.0	190

STANDARD PLIERS AND NIPPERS

Section of blade

Round type

Flat type

Angle type

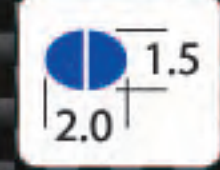
Blade shape

Semi-flush for cutting medium wire

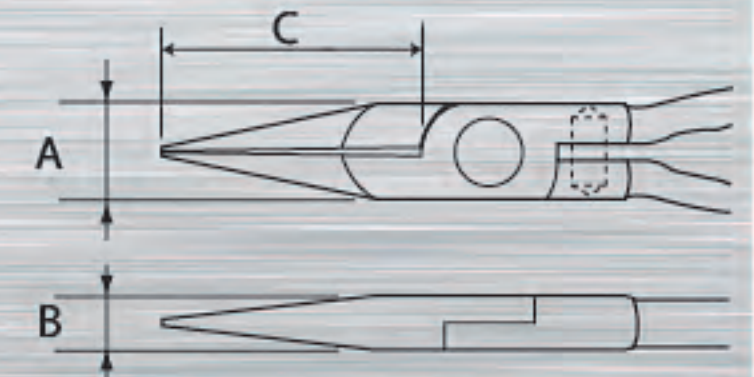
M14

Miniature side cutting pliers

Spring Loaded



Serrated

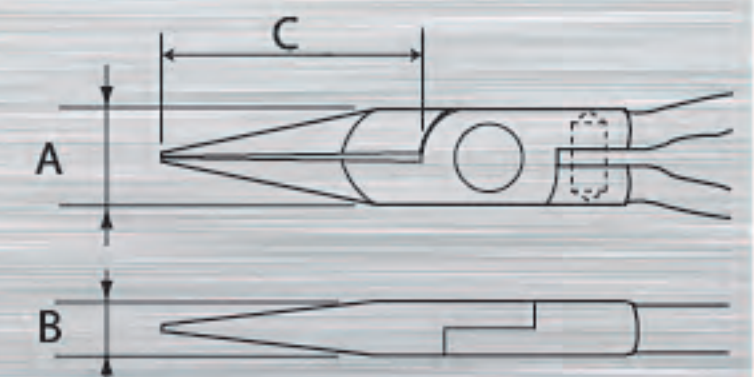
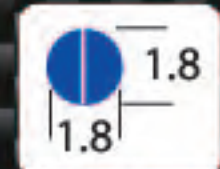


Model	Size (mm)	Dimensions(mm)			Weight (g)	Cutting capacity (φmm)	
		A	B	C		Steel wire	Copper wire
M14	130	13.5	8.0	37.0	80	1.2	2.0

M15

Miniature chain nose pliers

Spring Loaded



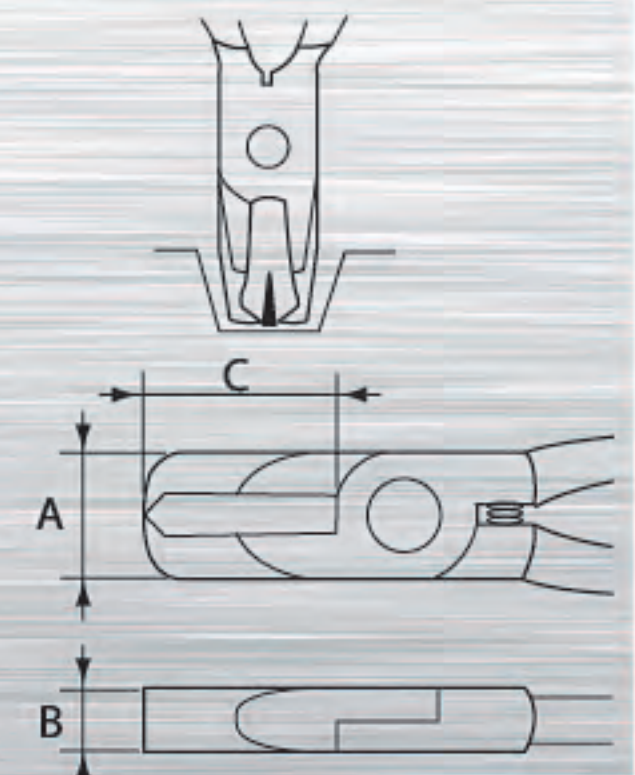
Model	Size (mm)	Dimensions(mm)			Weight (g)
		A	B	C	
M15	125	12.0	7.5	30.0	80

M16

Miniature end cutting nippers

Spring Loaded

Semi-flush



Model	Size (mm)	Dimensions(mm)			Weight (g)	Cutting capacity (φmm)	
		A	B	C		Steel wire	Copper wire
M16	115	12.0	7.0	21.0	65	0.5	0.8