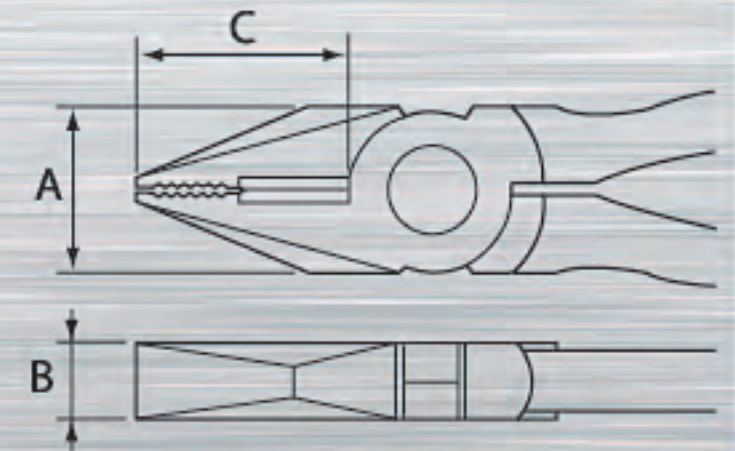


SIDE CUTTING PLIERS

2070

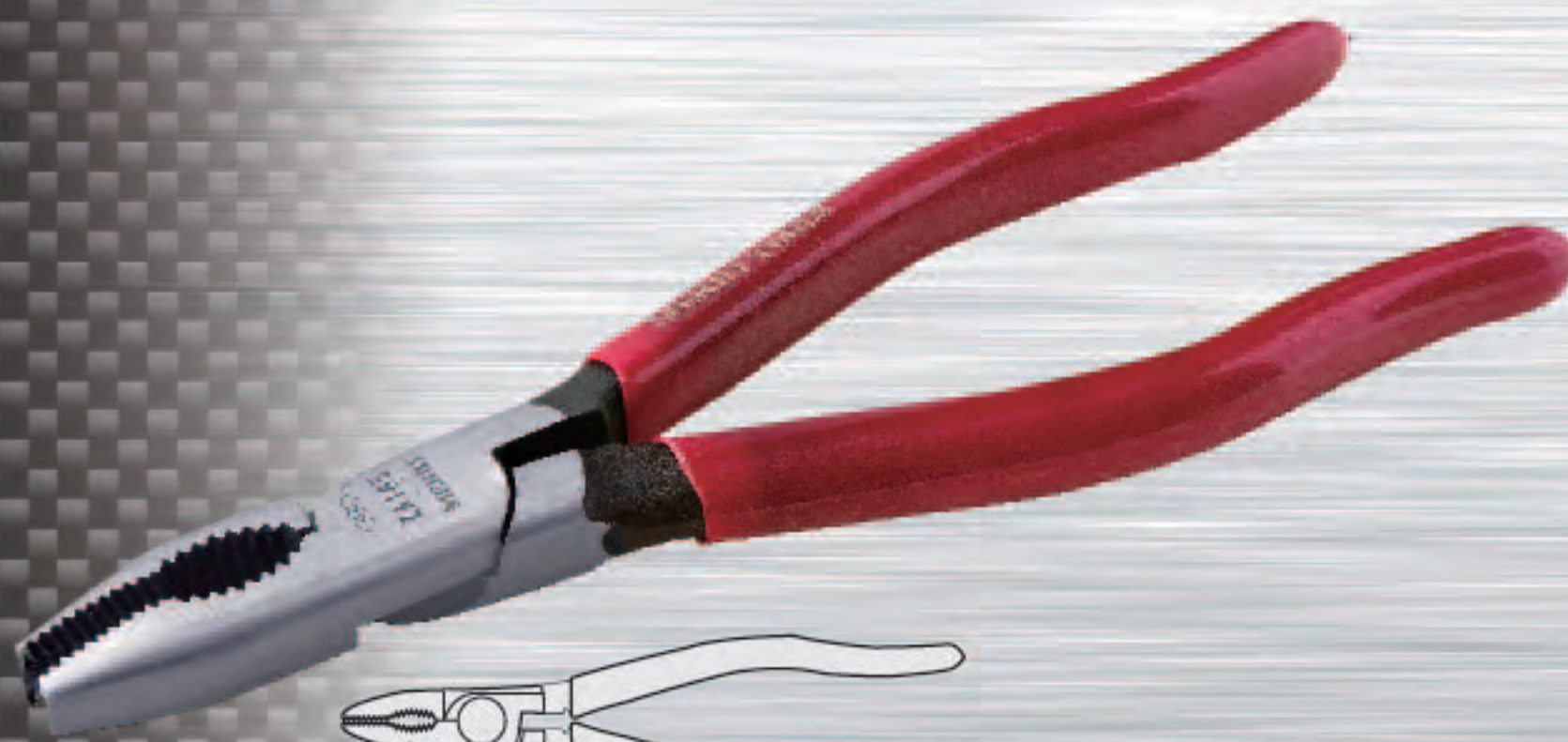
High leverage
side cutting pliers



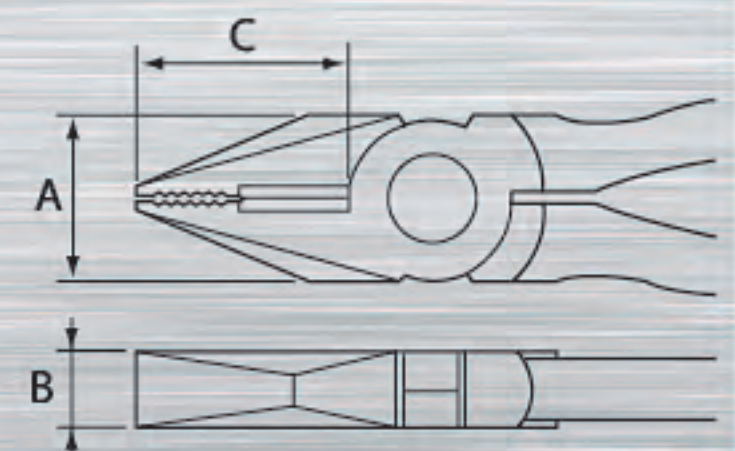
Model	Size (mm)	Dimensions(mm)			Weight (g)	Cutting capacity (φmm)	
		A	B	C		Steel wire	Copper wire
2070	225	27.0	12.4	38.5	360	4.0	5.0

ZA185

Screw pliers



(The Body) M5~M8 (diameter of the head is less than φ14)
(The Tip) M2~M6 (diameter of the head is less than φ10)



Model	Size (mm)	Dimensions(mm)			Weight (g)	Screw size
		A	B	C		
ZA185	185	21.0	13.0	31.0	280	Tip screw : M2~M6 Body screw : M5~M8

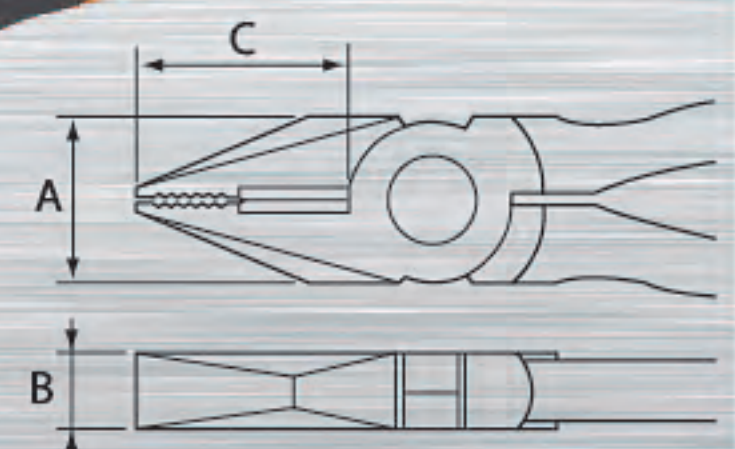
ZA7050

Screw pliers

These revolutionary pliers combine the functions of ZA185 (Screw Pliers) and 7050-14 (Side cutting pliers<with Screw pliers>).

The tip can firmly grip crushed or rusted screws.

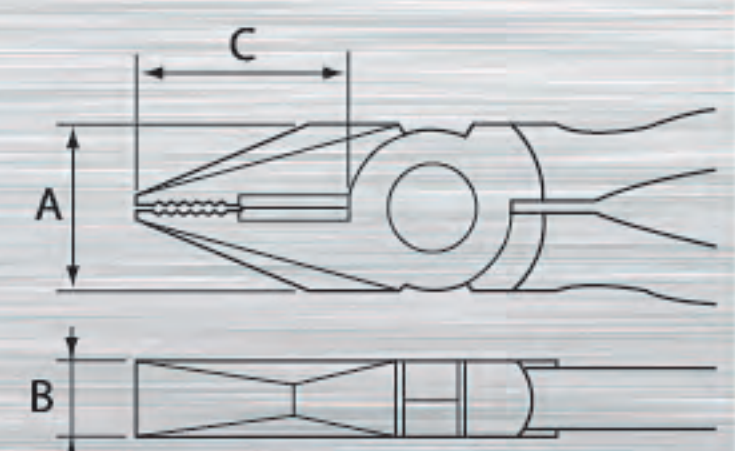
It can modify the threaded rod of W3/8 inch cuttings. Cutting of iron and copper wires is also acceptable.



Model	Size (mm)	Dimensions(mm)			Weight (g)	Cutting capacity (φmm)	
		A	B	C		Steel wire	Copper wire
ZA7050	200	26.5	14.5	32.0	375	3.2	4.0

MG7050

Pliers with magnet



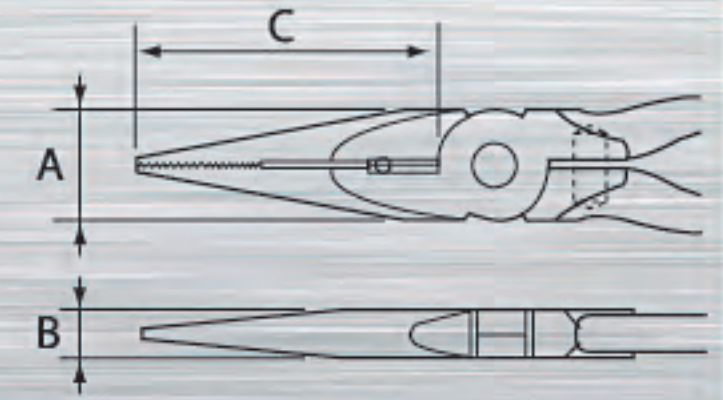
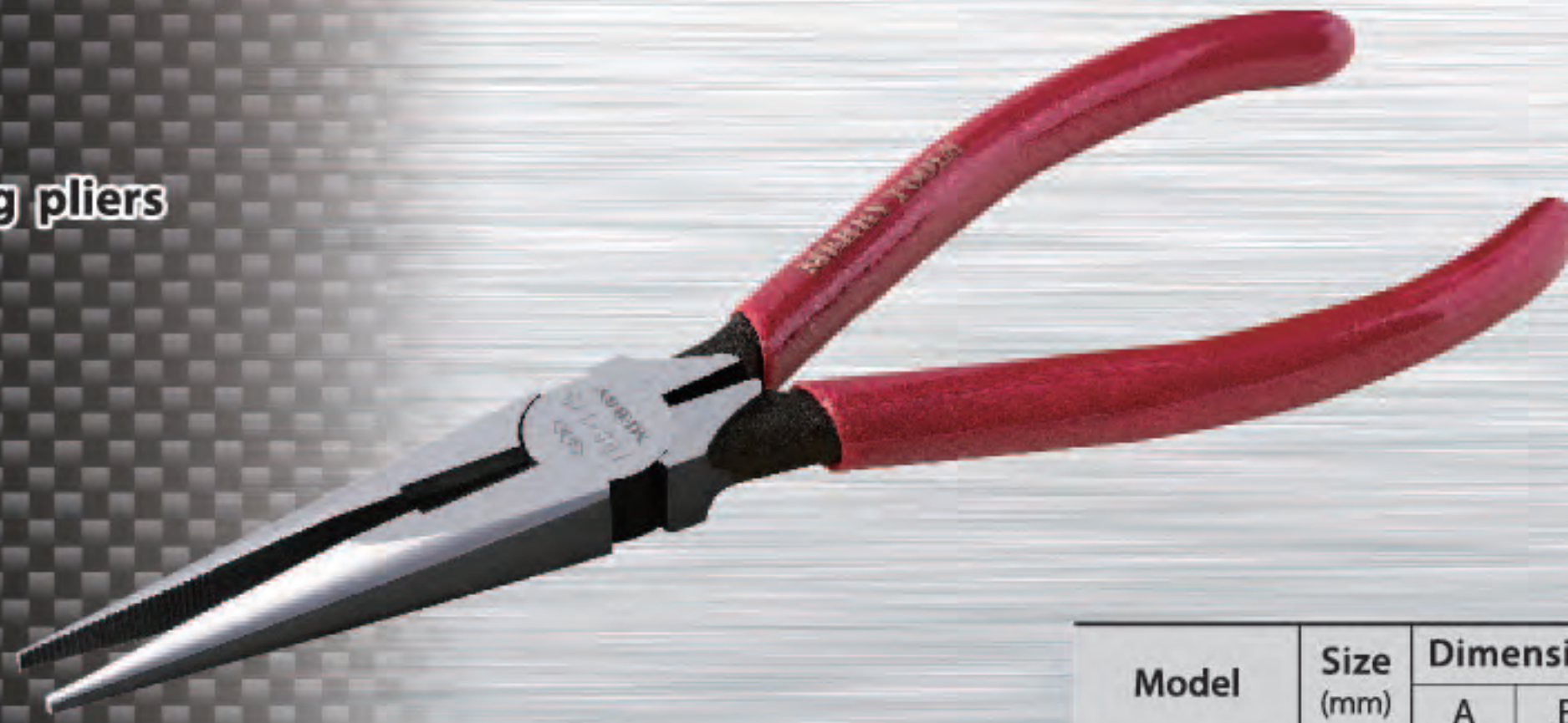
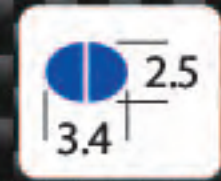
Model	Size (mm)	Dimensions(mm)			Weight (g)	Cutting capacity (φmm)	
		A	B	C		Steel wire	Copper wire
MG7050-7	175	24.0	14.0	31.0	295	2.6	3.5
MG7050-8	200	26.0	15.0	32.5	400	3.2	4.0

LONG NOSE SIDE CUTTING PLIERS & PLIERS

105[Ⓜ]

Long nose side cutting pliers

Spring Loaded

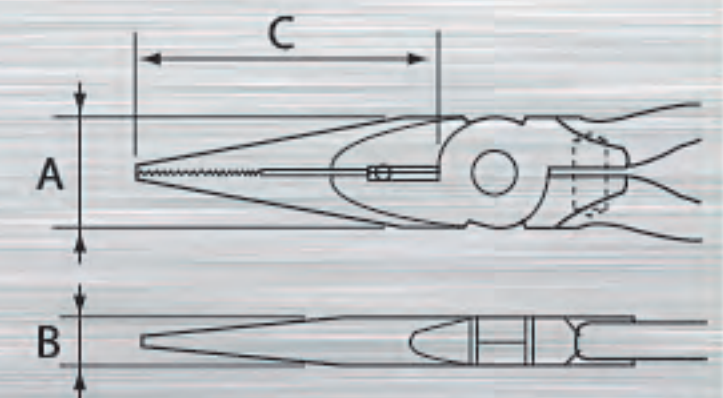
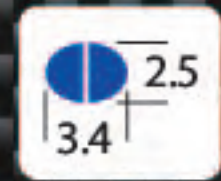


Model	Size (mm)	Dimensions (mm)			Weight (g)	Cutting capacity (φ mm)	
		A	B	C		Steel wire	Copper wire
[Ⓜ] 105-150	150	17.0	10.5	50.0	140	1.5	2.6
105-175	175	19.0	10.5	59.0	185	2.0	3.0

105H[Ⓜ]

Long nose side cutting pliers

Spring Loaded

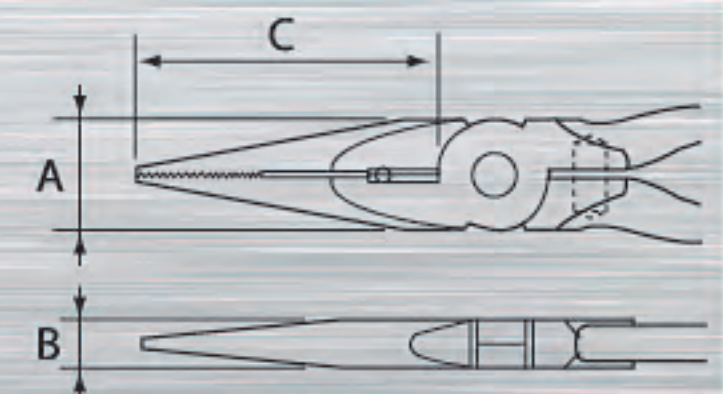
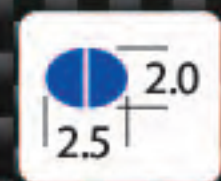


Model	Size (mm)	Dimensions (mm)			Weight (g)	Cutting capacity (φ mm)	
		A	B	C		Steel wire	Copper wire
[Ⓜ] 105H-150	150	17.0	10.5	50.0	140	1.5	2.6
105H-175	175	19.0	10.5	59.0	185	2.0	3.0

150

Long nose side cutting pliers
<slim type>

Spring Loaded

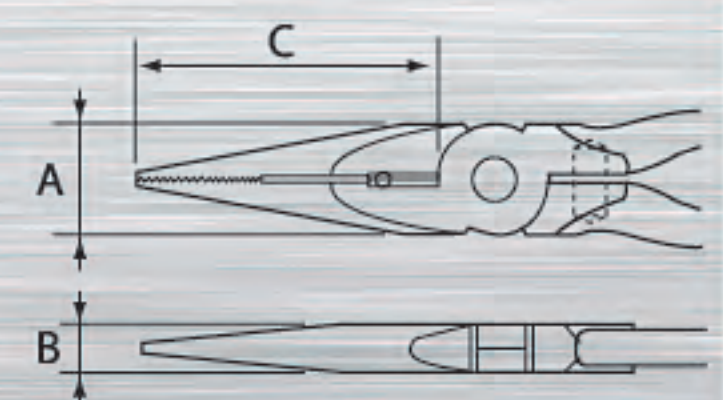
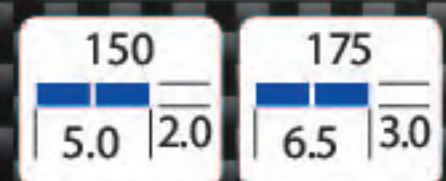


Model	Size (mm)	Dimensions (mm)			Weight (g)	Cutting capacity (φ mm)	
		A	B	C		Steel wire	Copper wire
150	150	12.0	7.5	57.5	85	1.2	2.0

105F

Flat nose pliers

Spring Loaded

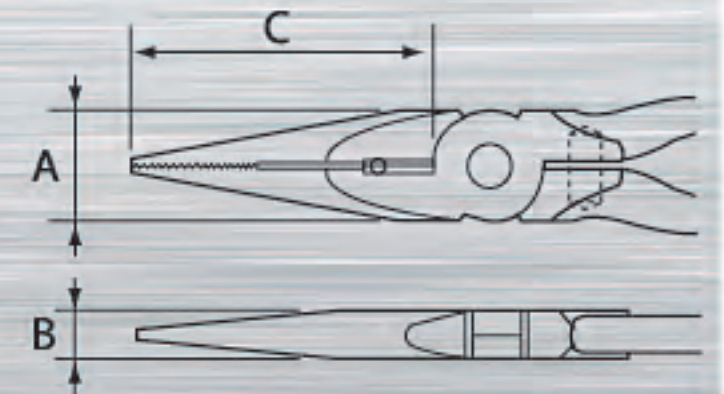
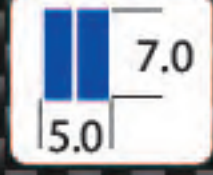


Model	Size (mm)	Dimensions (mm)			Weight (g)
		A	B	C	
105F-150	150	17.0	10.0	50.0	140
105F-175	175	19.5	11.5	59.0	190

LONG NOSE SIDE CUTTING PLIERS & PLIERS

2500

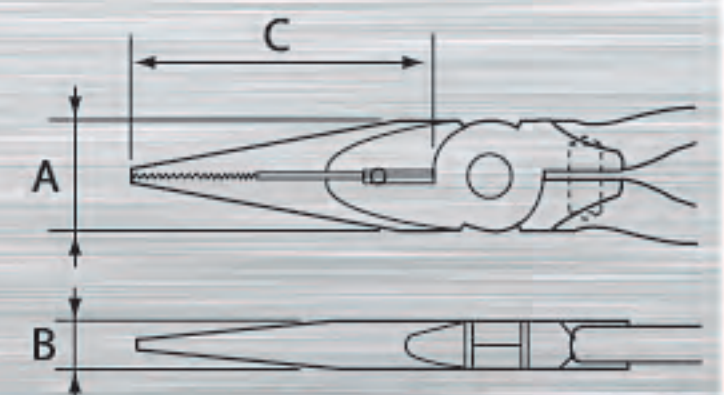
Duck-bill pliers



Model	Size (mm)	Dimensions(mm)			Weight (g)
		A	B	C	
2500	200	15.5	11.5	38.0	205

2500R

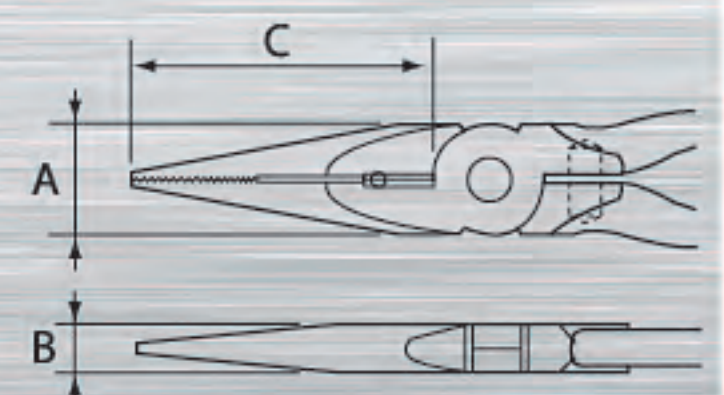
Long reach needle nose pliers



Model	Size (mm)	Dimensions(mm)			Weight (g)
		A	B	C	
2500R	200	15.5	11.5	39.0	200

2500T

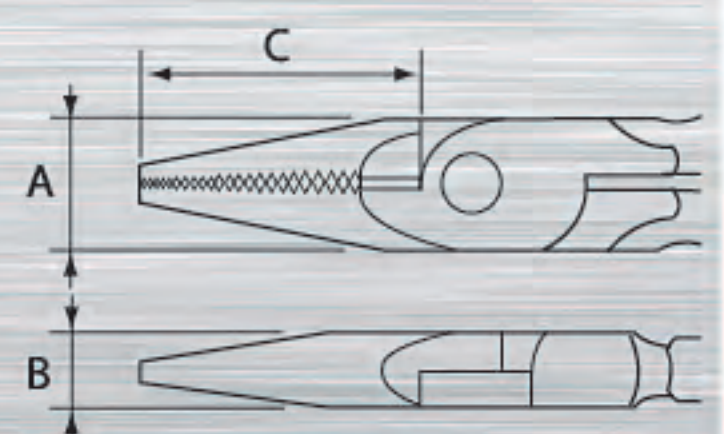
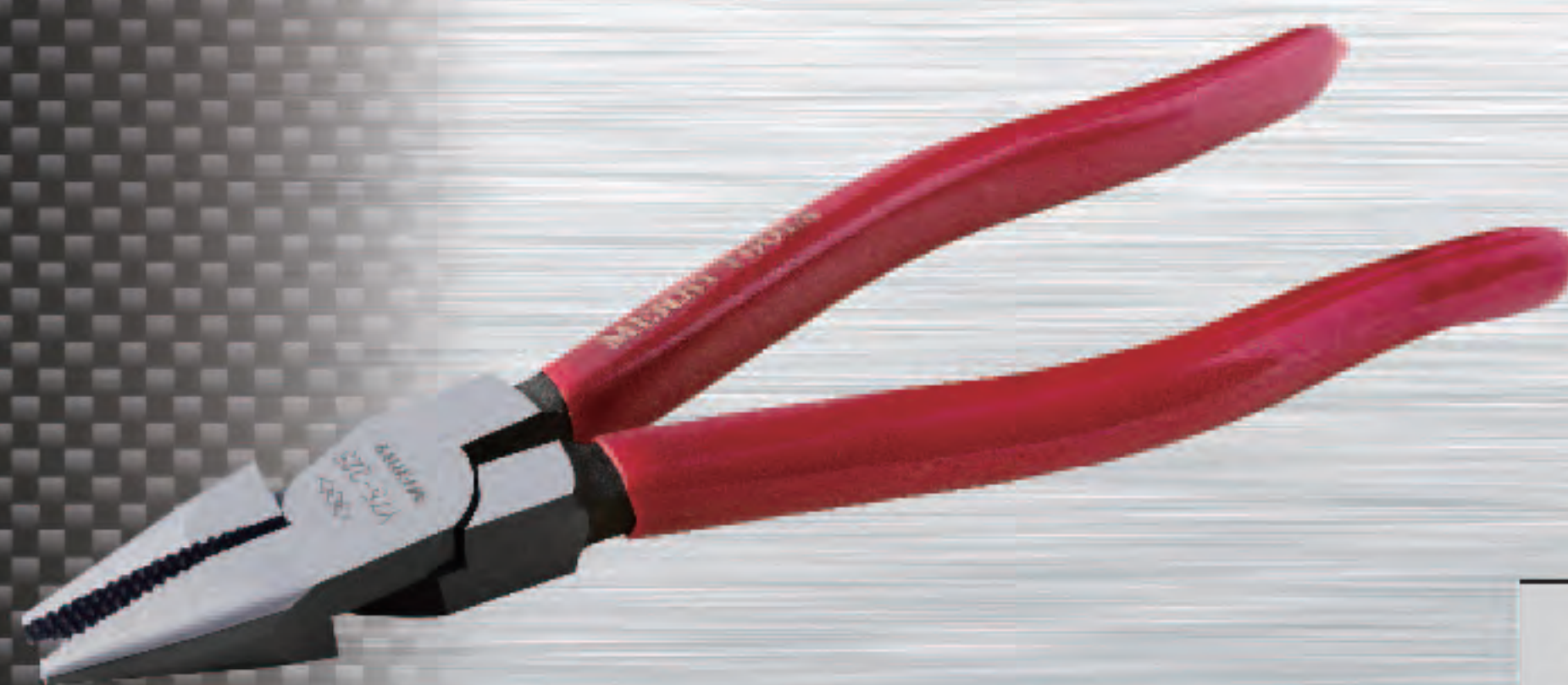
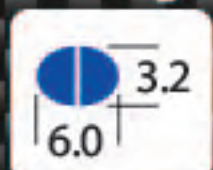
Nail pliers for tire repair
<special hand tool for removing nails on tires.>



Model	Size (mm)	Dimensions(mm)			Weight (g)
		A	B	C	
2500T	200	15.5	11.0	38.0	200

Y75

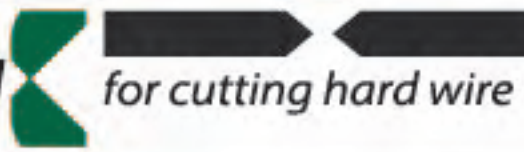
Heavy-duty semi-long nose pliers

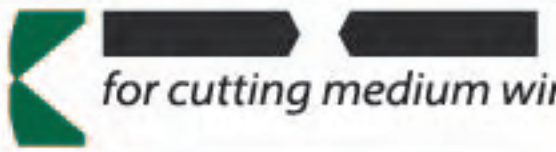



Model	Size (mm)	Dimensions(mm)			Weight (g)
		A	B	C	
Y75-185	185	20.0	12.5	32.0	260
Y75-225	225	24.0	14.5	35.0	370

STANDARD PLIERS AND NIPPERS

Blade shape

Standard  for cutting hard wire

Semi-flush  for cutting medium wire

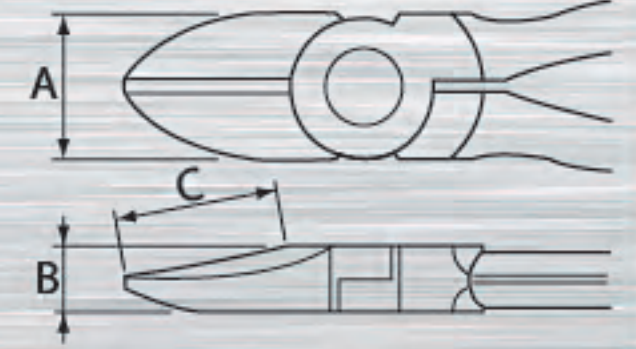
Full-flush  for cutting soft wire only or plastic, gate and sprue

L30

Long handle cutting nippers

Spring Loaded

Semi-flush 



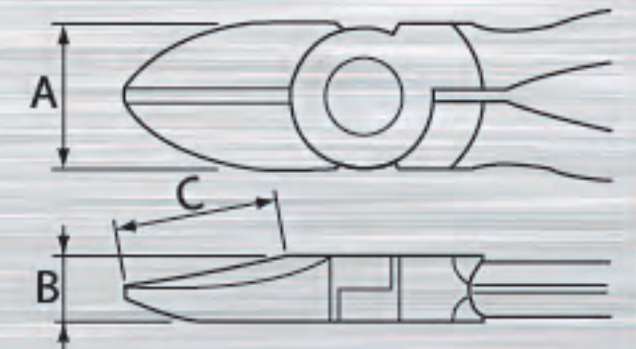
Model	Size (mm)	Dimensions(mm)			Weight (g)	Cutting capacity (φmm)	
		A	B	C		Steel wire	Copper wire
L30	190	17.0	9.0	19.0	165	1.2	2.0

L40

Long handle plastics cutting nippers

Spring Loaded

Flat type 

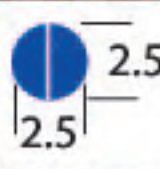


Model	Size (mm)	Dimensions(mm)			Weight (g)	Cutting capacity (φmm)
		A	B	C		Plastics
L40	190	17.0	9.0	19.0	175	5.0

L50

Long handle needle pliers

Spring Loaded

 2.5

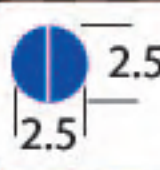


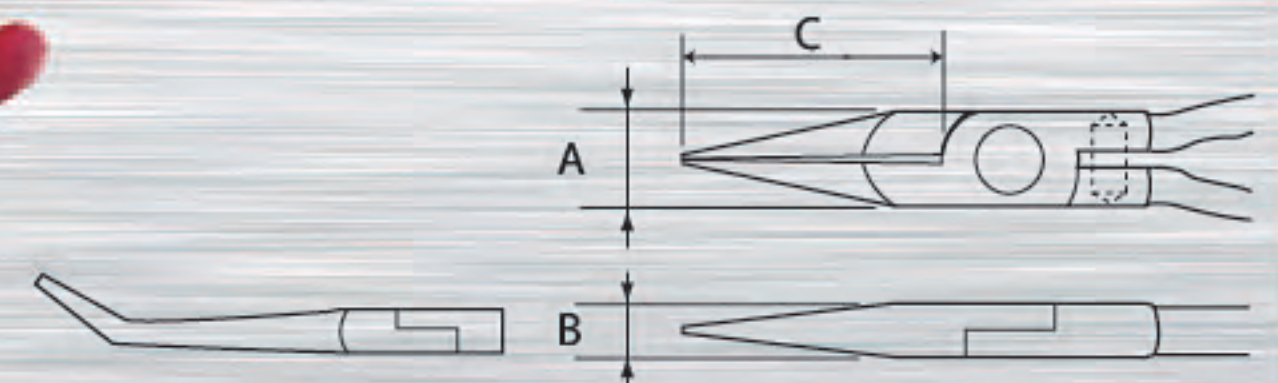
Model	Size (mm)	Dimensions(mm)			Weight (g)
		A	B	C	
L50	200	12.0	7.5	55.0	145

L60

Long handle bent nose pliers

Spring Loaded

 2.5

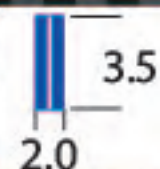


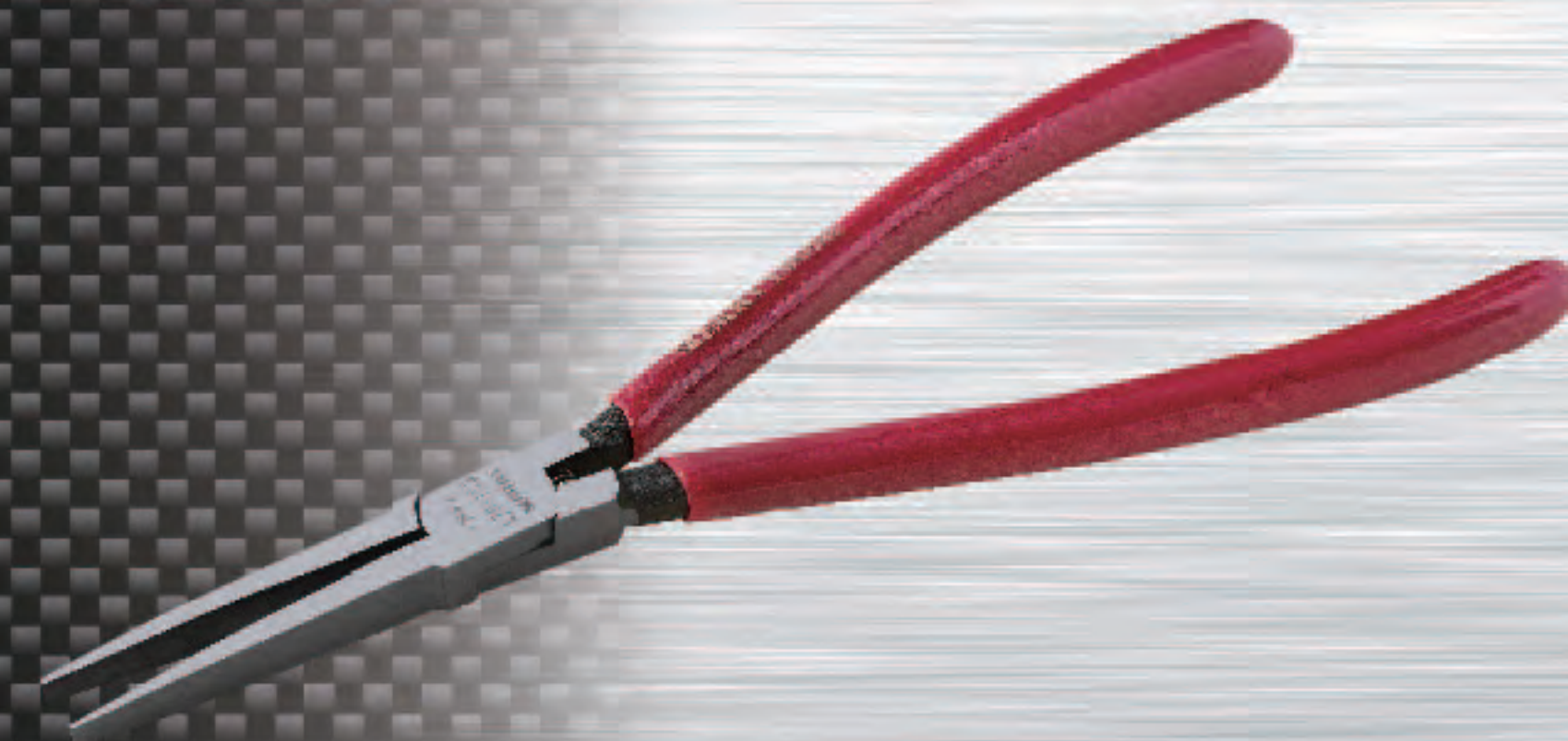
Model	Size (mm)	Dimensions(mm)			Weight (g)
		A	B	C	
L60	200	12.0	7.5	53.0	145

L70

Long handle flat nose pliers

Spring Loaded

 3.5



Model	Size (mm)	Dimensions(mm)			Weight (g)
		A	B	C	
L70	185	11.5	7.0	42.0	130

STANDARD PLIERS AND NIPPERS

Section of blade

Round type

Flat type

Angle type

Blade shape

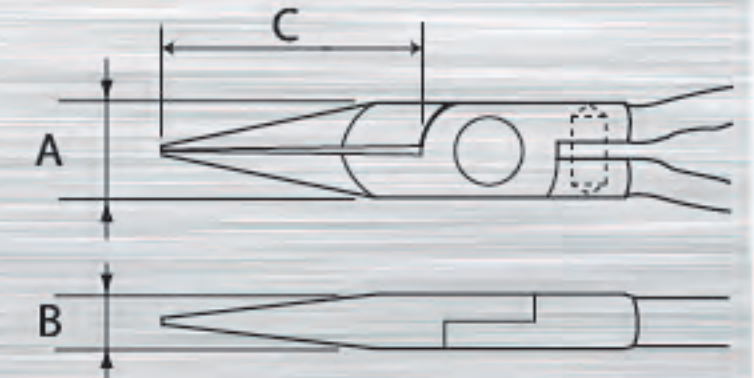
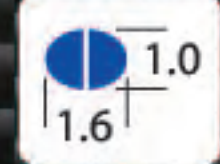
Semi-flush

for cutting medium wire

06

Miniature needle pliers

Spring Loaded

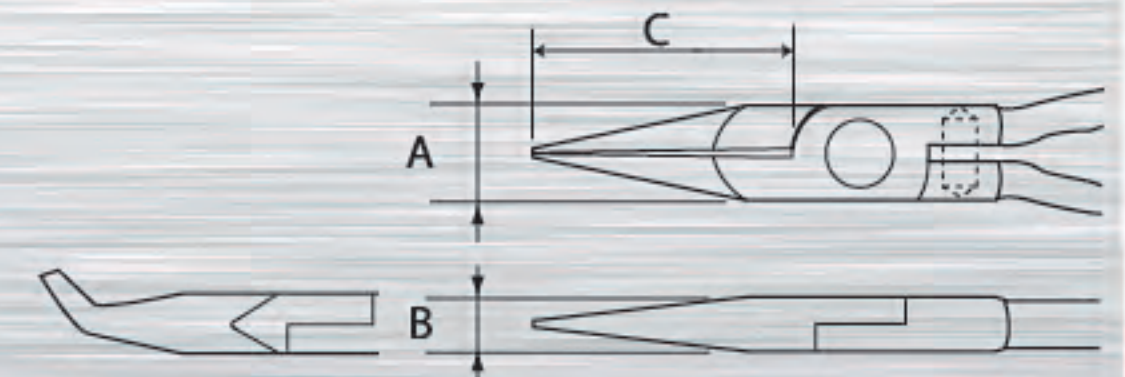


Model	Size (mm)	Dimensions(mm)			Weight (g)
		A	B	C	
06	110	9.5	6.0	23.0	55

07

Miniature bent nose pliers

Spring Loaded

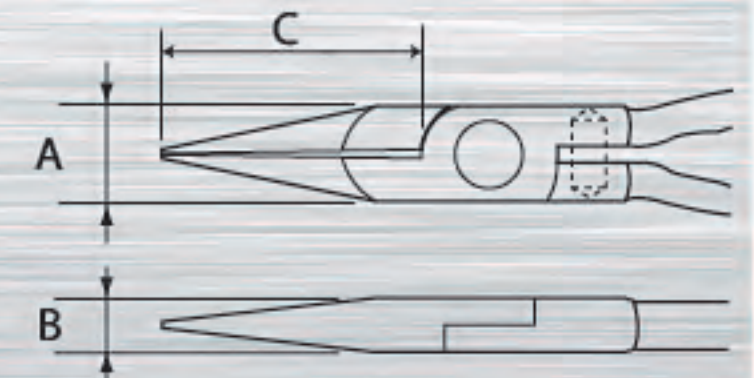
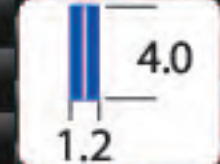


Model	Size (mm)	Dimensions(mm)			Weight (g)
		A	B	C	
07	110	9.5	5.5	21.0	55

08

Miniature flat nose pliers

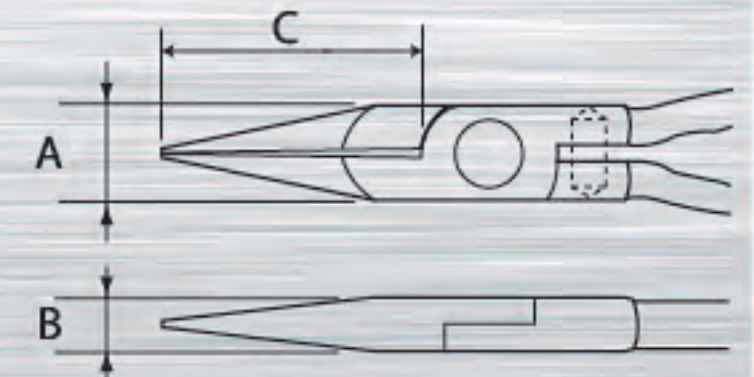
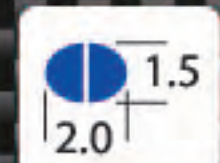
Spring Loaded



Model	Size (mm)	Dimensions(mm)			Weight (g)
		A	B	C	
08	110	9.5	6.0	22.0	55

09

Miniature semi needle pliers



Model	Size (mm)	Dimensions(mm)			Weight (g)
		A	B	C	
09	120	11.0	7.5	32.0	70

STANDARD PLIERS AND NIPPERS

Section of blade

Round type

Flat type

Angle type

Blade shape

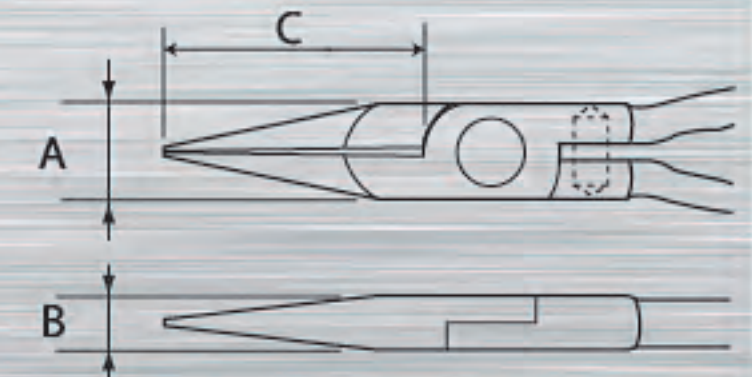
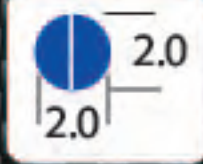
Semi-flush

for cutting medium wire

M10

Miniature long needle pliers

Spring Loaded

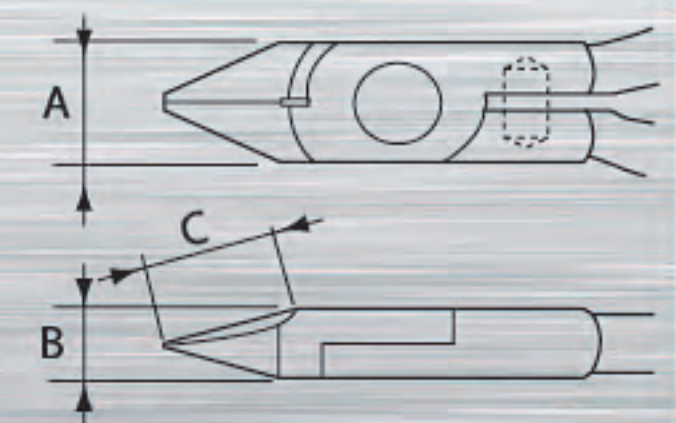


Model	Size (mm)	Dimensions(mm)			Weight (g)
		A	B	C	
M10	150	12.0	7.0	58.0	80

M11

Miniature plastic cutting nippers

Spring Loaded

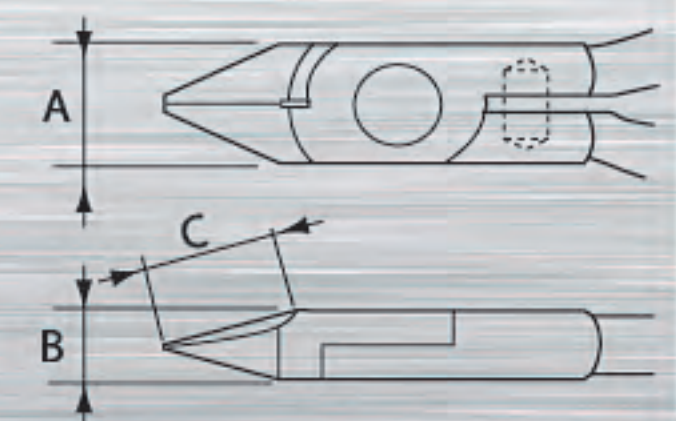


Model	Size (mm)	Dimensions(mm)			Weight (g)	Cutting capacity (φmm) Plastics
		A	B	C		
M11	125	14.0	8.0	15.0	85	3.0

M12

Miniature plastic cutting nippers

Spring Loaded

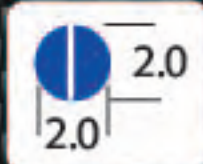


Model	Size (mm)	Dimensions(mm)			Weight (g)	Cutting capacity (φmm) Plastics
		A	B	C		
M12	125	12.5	8.5	12.0	85	3.0

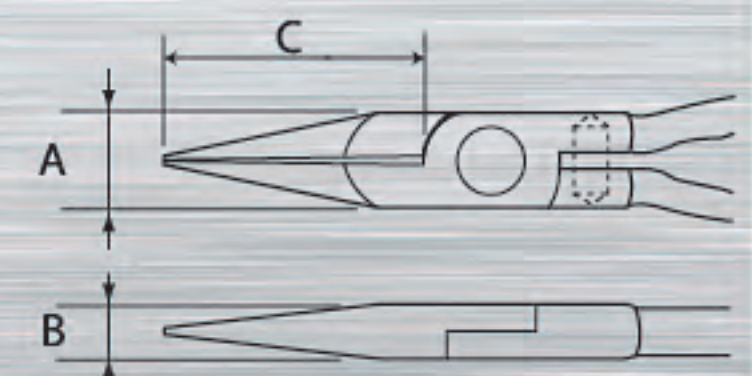
M13

Miniature needle pliers

Spring Loaded



Serrated



Model	Size (mm)	Dimensions(mm)			Weight (g)
		A	B	C	
M13	140	12.0	7.0	47.0	75

STANDARD PLIERS AND NIPPERS

Section of blade

Round type

Flat type

Angle type

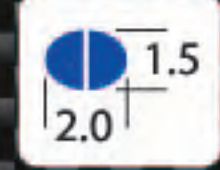
Blade shape

Semi-flush for cutting medium wire

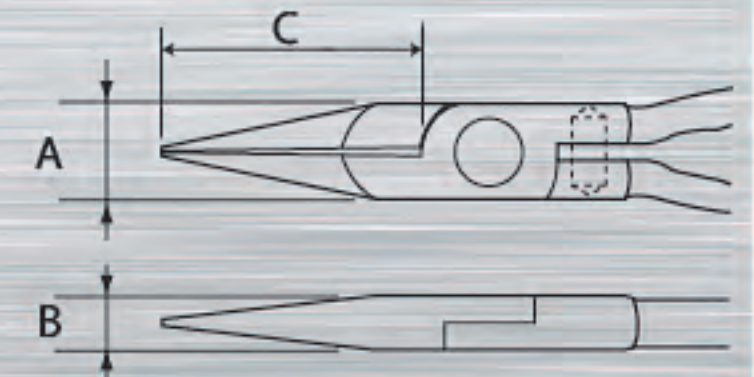
M14

Miniature side cutting pliers

Spring Loaded



Serrated

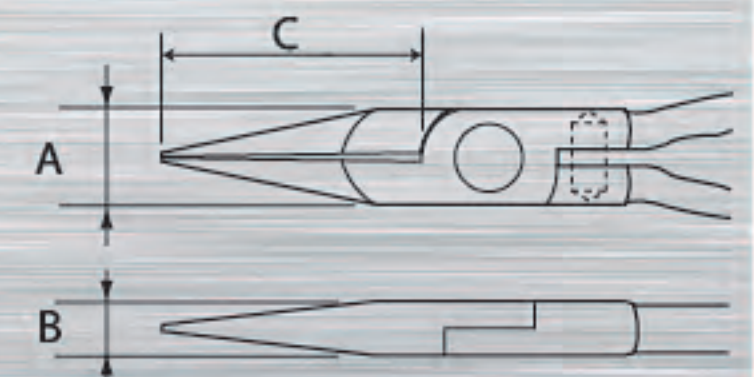
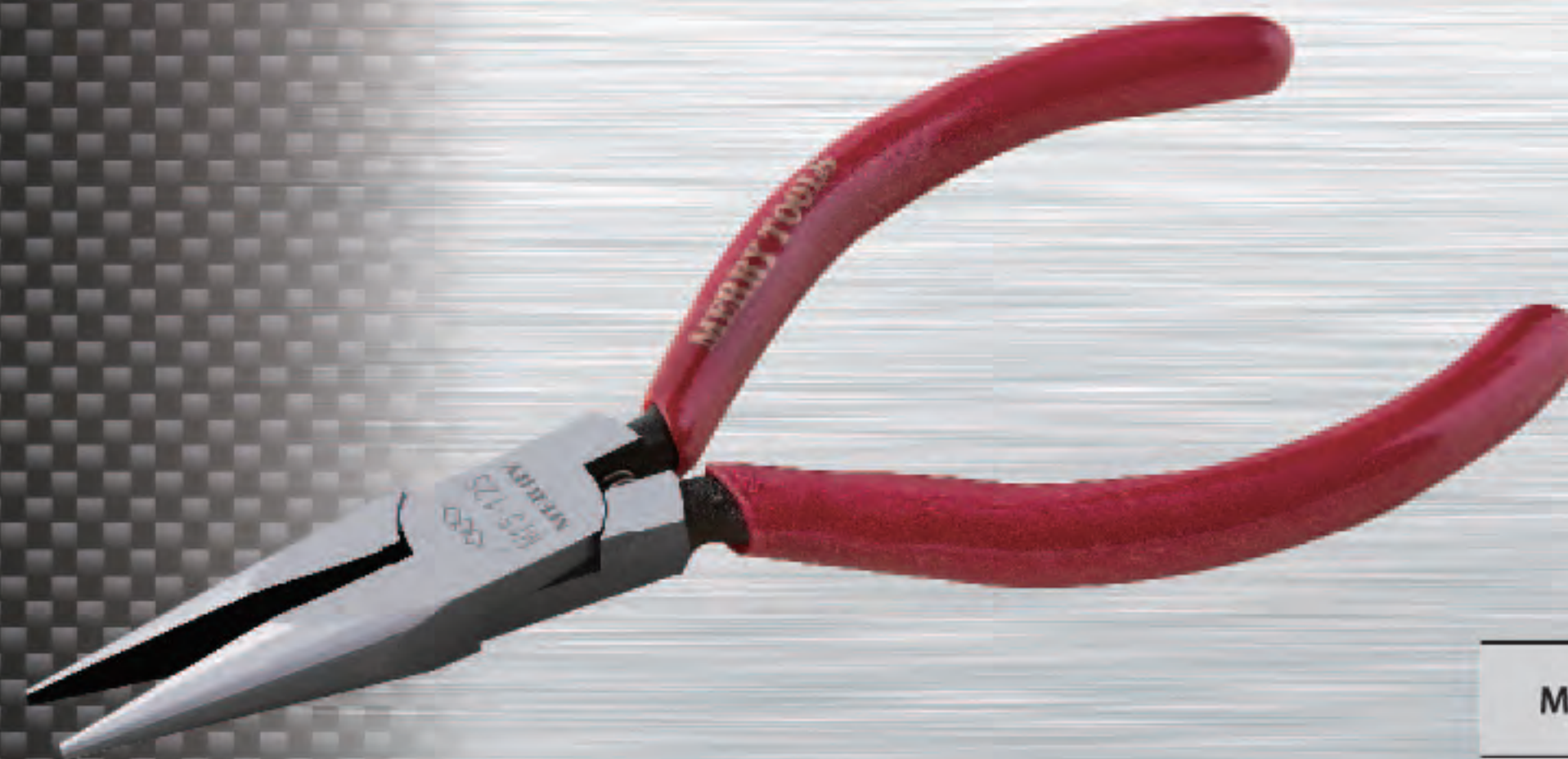
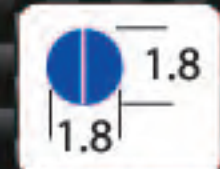


Model	Size (mm)	Dimensions(mm)			Weight (g)	Cutting capacity (φmm)	
		A	B	C		Steel wire	Copper wire
M14	130	13.5	8.0	37.0	80	1.2	2.0

M15

Miniature chain nose pliers

Spring Loaded



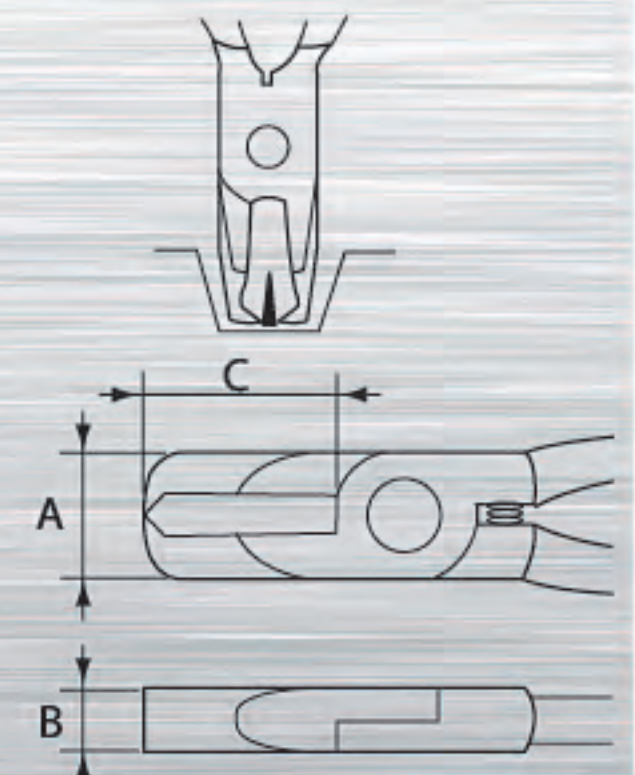
Model	Size (mm)	Dimensions(mm)			Weight (g)
		A	B	C	
M15	125	12.0	7.5	30.0	80

M16

Miniature end cutting nippers

Spring Loaded

Semi-flush



Model	Size (mm)	Dimensions(mm)			Weight (g)	Cutting capacity (φmm)	
		A	B	C		Steel wire	Copper wire
M16	115	12.0	7.0	21.0	65	0.5	0.8

ADDITIONAL HAND TOOLS

BARRIER WRENCHES

The unique "MERRY" Barrier Wrenches have solved the problem of difficult bolt / nut fastening and loosening jobs in narrow and hard-to-reach places.

AN EXAMPLE OF APPLICATION

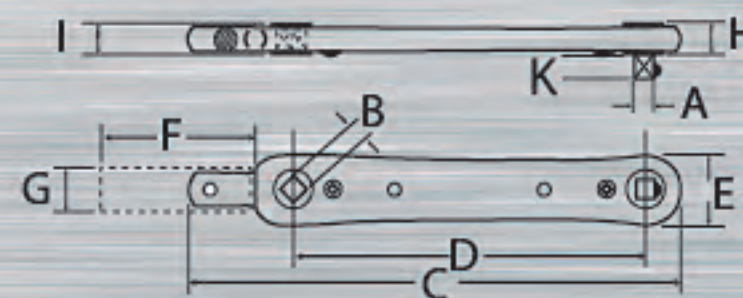
Barrier Wrenches offer safe and smooth service for replacement or adjustment of the cultivator blades in narrow space.



General use with ratchet wrench

Impact Wrench can be used instead of a ratchet wrench **only for YL2.** (Torque should not exceed 180N-m.)

Model	Square size A×B	Weight (g)	Max. allowable torque(N-m)
YL2	□ 12.7□×□ 12.7□	1,665	196
YL2A	□ 12.7□×□ 12.7□	1,410	196



Model	Dimensions(mm)							
	C	D	E	F	G	H	I	K
YL2	323	228	49	210	φ26	20	25	14
YL2A	323	228	49	210	φ26	20	25	14

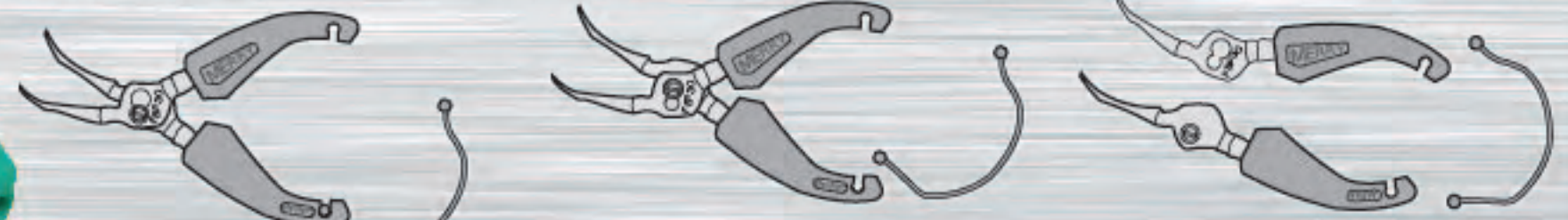
FBP30

Fish boning pliers



HOW TO DISASSEMBLE THE CROSS-STICKS

1. Disconnect either end of the plastic spring.
2. Shift the joint-Screw from small hole to large one.
3. The cross-sticks can be disassembled.



Model	Size (mm)	Weight (g)
FBP30	120	65

HN21

Needle-nose palm pliers



Model	Size (mm)	Weight (g)
HN21	105	40

HN22

Precision palm pliers



〈Stainless steel〉 Needle-nose pliers with a curved palm grip

Perfect for removing bones in fish processing factories.

Model	Size (mm)	Weight (g)
HN22	105	40

CK20

〈Cable cutters〉



Model	Size (mm)	Dimensions(mm)			Weight (g)	Cutting capacity (φmm)
		A	B	C		IV wire
CK20	215	40.0	14.0	24.0	340	60

SPRINGS FOR MERRY NIPPERS AND CUTTERS

Model	Order Quantity	Adaptable Type
MBN-01	10P	55S-120, 160S-125, 02, 09, M11, M12, M14, etc
MBN-02	10P	55S-150, 160S-150, 66S, CT55-150, etc
MBN-03	10P	99-175/200, 206S-175/200, etc
MBN-04	10P	01, 03, 04, 05, 06, 07, 08
MBN-05	10P	L30, L40, HT160, 170S, etc
MBN-06	10P	105-150, 23EF, 25EF, 26EF

Model	Order Quantity	Adaptable Type
MBN-07	10P	99-150, 206S-150, HT120, HT130, HT140
MBN-08	10P	HT180
MBN-09	10P	HT200
MBN-10	5P	PIP19
MBN-11	5P	SX5
MBN-12	5P	SX10, SX15