



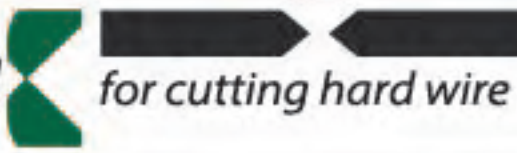
MERRY

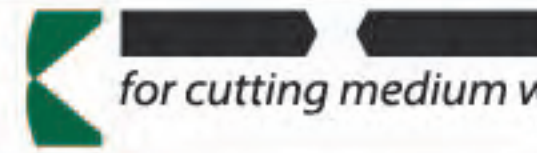
NIPPERS

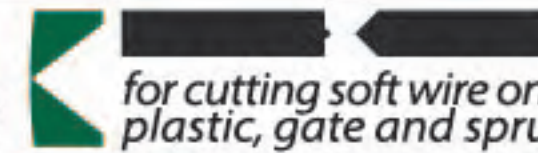


NIPPERS

Blade shape

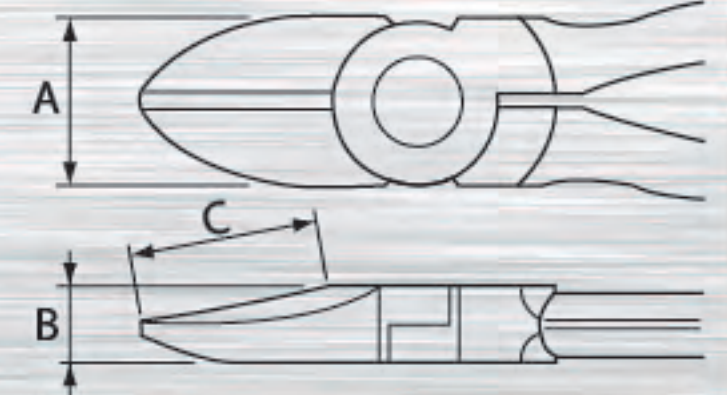
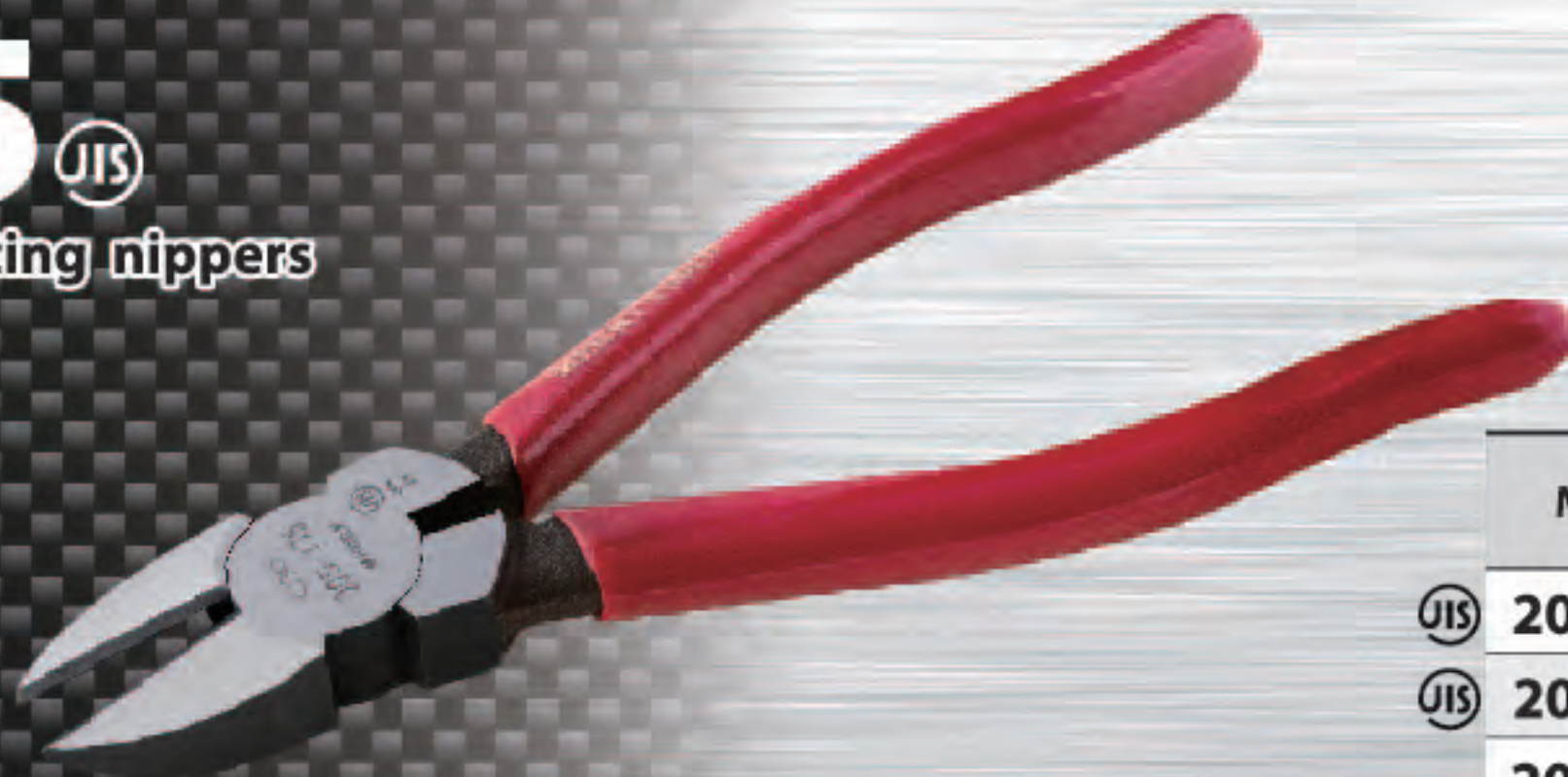
Standard  for cutting hard wire

Semi-flush  for cutting medium wire

Full-flush  for cutting soft wire only or plastic, gate and sprue

205 ^{JIS} Diagonal cutting nippers

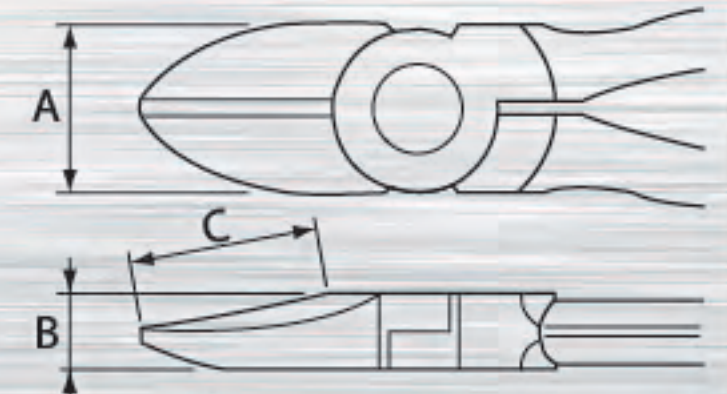
Standard 



Model	Size (mm)	Dimensions(mm)			Weight (g)	Cutting capacity (φmm)	
		A	B	C		Steel wire	Copper wire
^{JIS} 205-150	150	22.0	12.5	22.5	210	2.0	2.6
^{JIS} 205-175	175	24.5	13.0	26.0	275	2.0	3.0
205-200	200	26.5	14.0	29.0	360	2.6	3.5

205H ^{JIS} Diagonal cutting nippers

Standard 

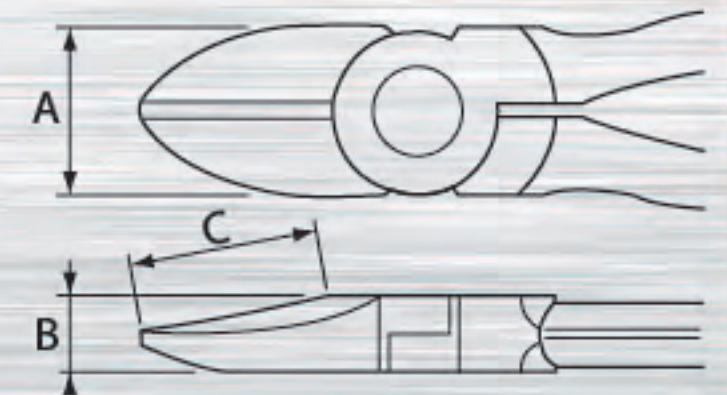
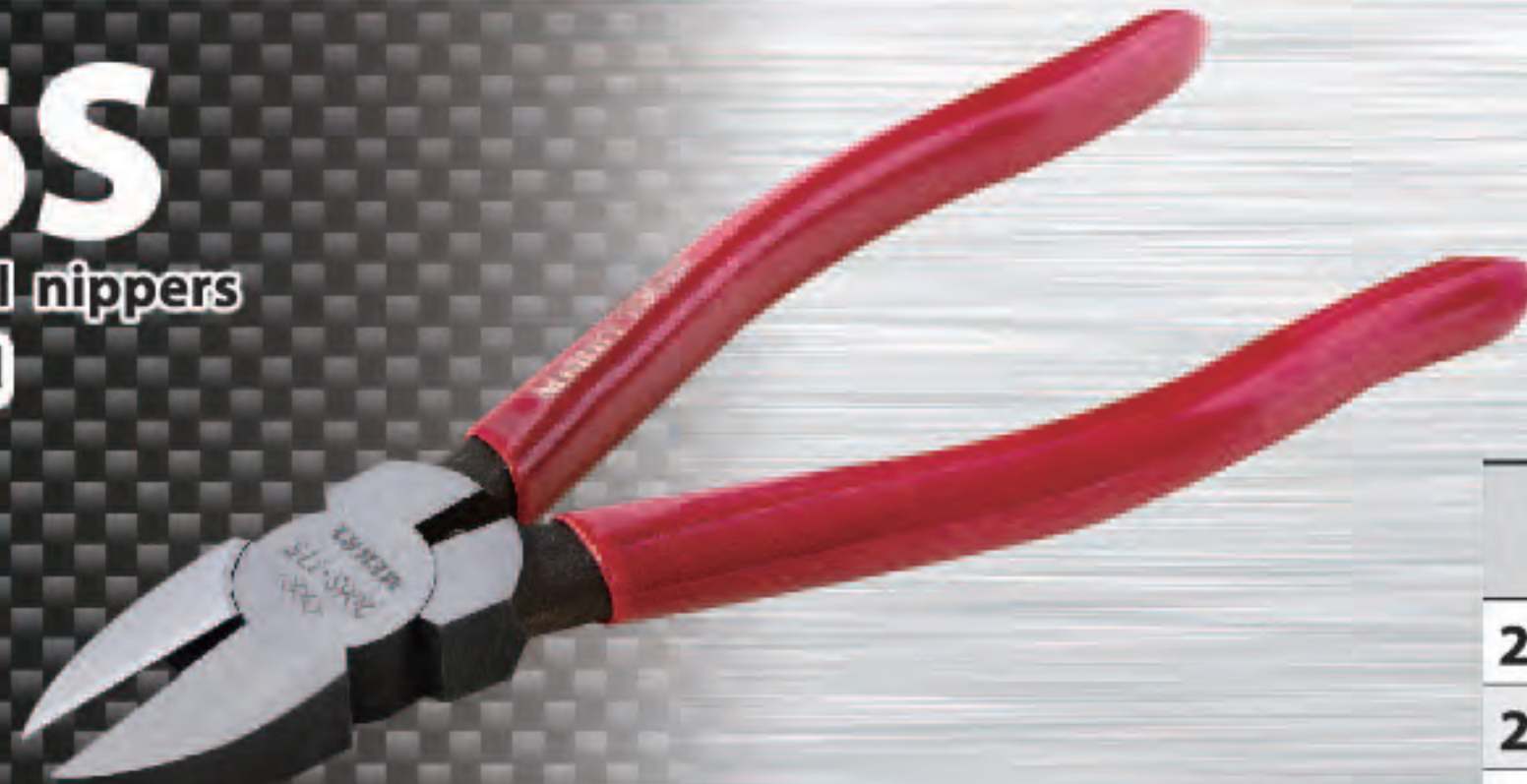


Model	Size (mm)	Dimensions(mm)			Weight (g)	Cutting capacity (φmm)	
		A	B	C		Steel wire	Copper wire
^{JIS} 205H-150	150	22.0	12.5	22.5	225	2.0	2.6
^{JIS} 205H-175	175	24.5	13.0	26.0	285	2.0	3.0
205H-200	200	26.5	14.0	29.0	360	2.6	3.5

206S Flush diagonal nippers

Spring Loaded

Full-flush 

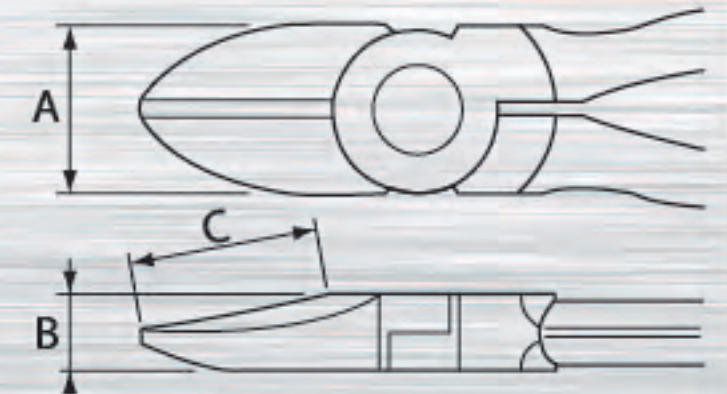


Model	Size (mm)	Dimensions(mm)			Weight (g)	Cutting capacity (φmm)	
		A	B	C		Steel wire	Copper wire
206S-150	150	22.5	12.5	22.0	205	2.0	2.6
206S-175	175	24.5	13.0	26.0	270	2.0	3.0
206S-200	200	26.0	14.0	29.0	350	2.6	3.5

99W VA cutting nippers

Spring Loaded

Full-flush 

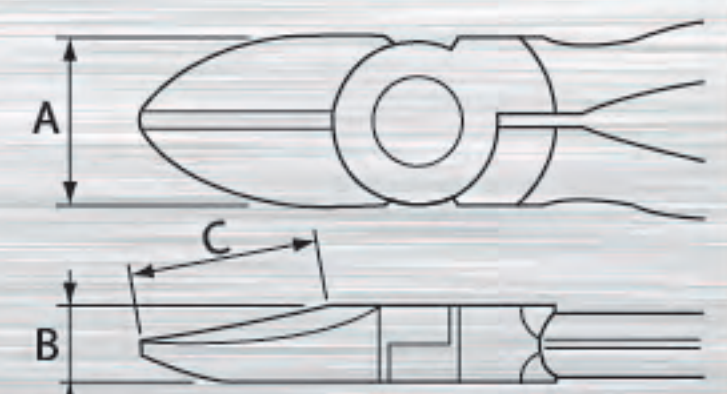


Model	Size (mm)	Dimensions(mm)			Weight (g)	Cutting capacity (φmm)
		A	B	C		VVF wire
99W-150	150	22.0	12.5	21.5	220	φ2.0×3.0
99W-175	175	24.0	12.5	25.0	275	φ2.0×3.0
99W-200	200	26.5	14.0	29.0	355	φ2.6×3.0

208 VA cutting nippers

Spring Loaded

Full-flush 



Model	Size (mm)	Dimensions(mm)			Weight (g)	Cutting capacity (φmm)	
		A	B	C		Steel wire	Copper wire
208-7	175	20.5	12.0	20.5	205	2.0	2.6
208-8	200	20.5	12.0	23.5	255	2.0	3.0

NIPPERS

Blade shape

Standard

for cutting hard wire

Semi-flush

for cutting medium wire

Full-flush

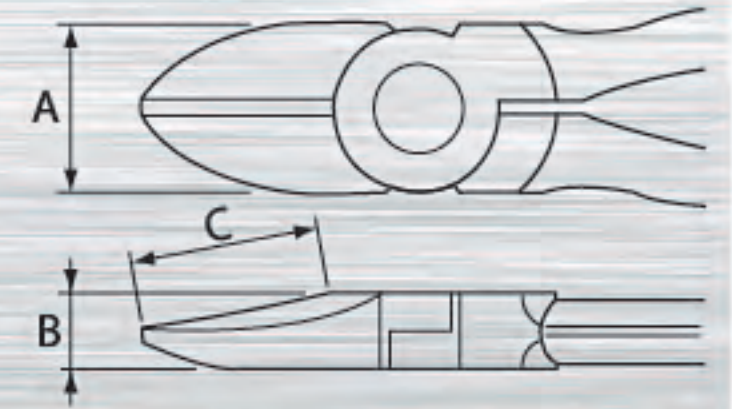
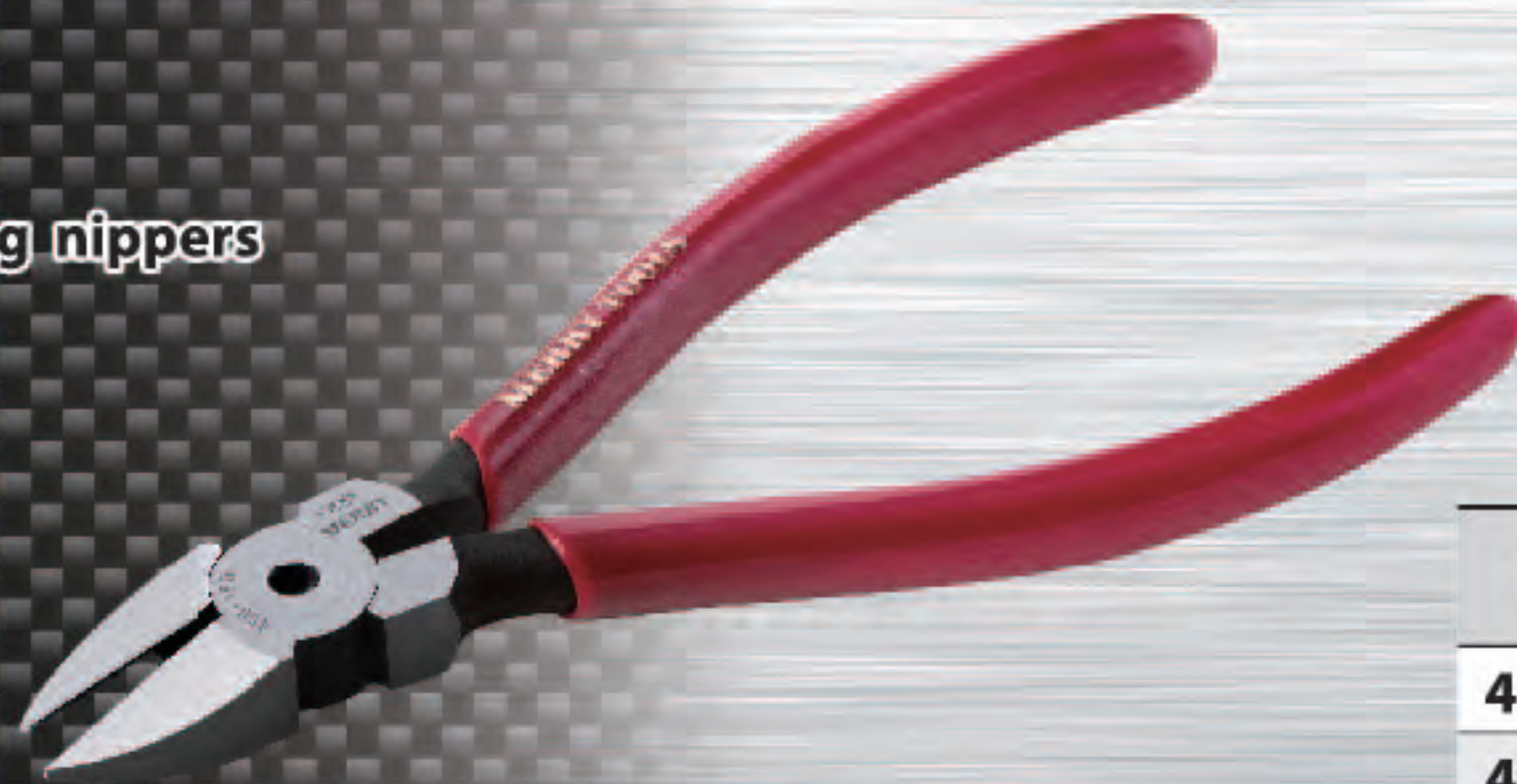
for cutting soft wire only or plastic, gate and sprue

450

Diagonal cutting nippers

Spring Loaded

Semi-flush

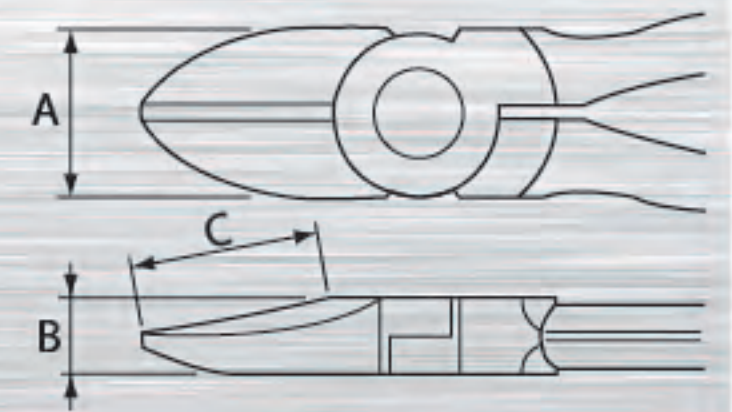


Model	Size (mm)	Dimensions(mm)			Weight (g)	Cutting capacity (φmm)	
		A	B	C		Steel wire	Copper wire
450-125	125	12.5	8.0	14.0	85	0.8	1.2
450-150	150	17.0	10.0	20.0	150	1.5	2.6

207

Diagonal cutting nippers
<with crimping die>

Standard

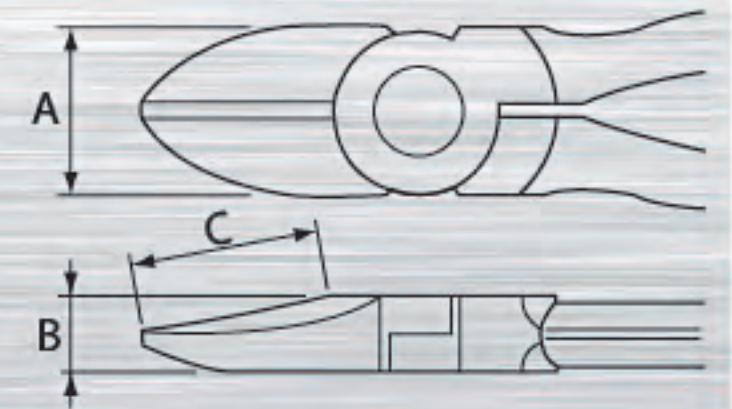


Model	Size (mm)	Dimensions(mm)			Weight (g)	Cutting capacity (φmm)	
		A	B	C		Steel wire	Copper wire
207	225	26.0	12.2	27.0	345	3.0	4.0

207S

Diagonal cutting nippers
<with crimping die>

Full-flush



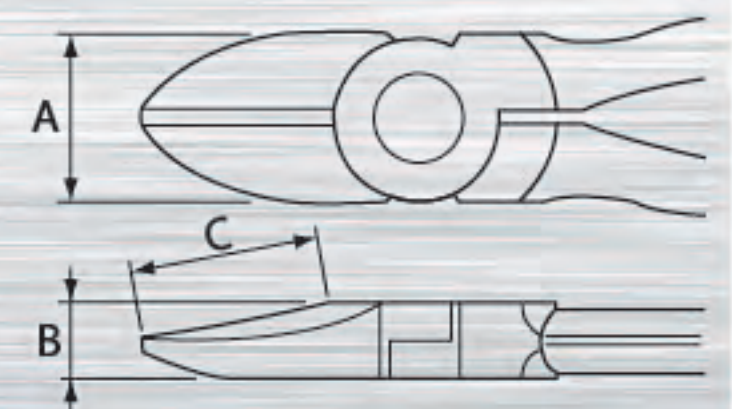
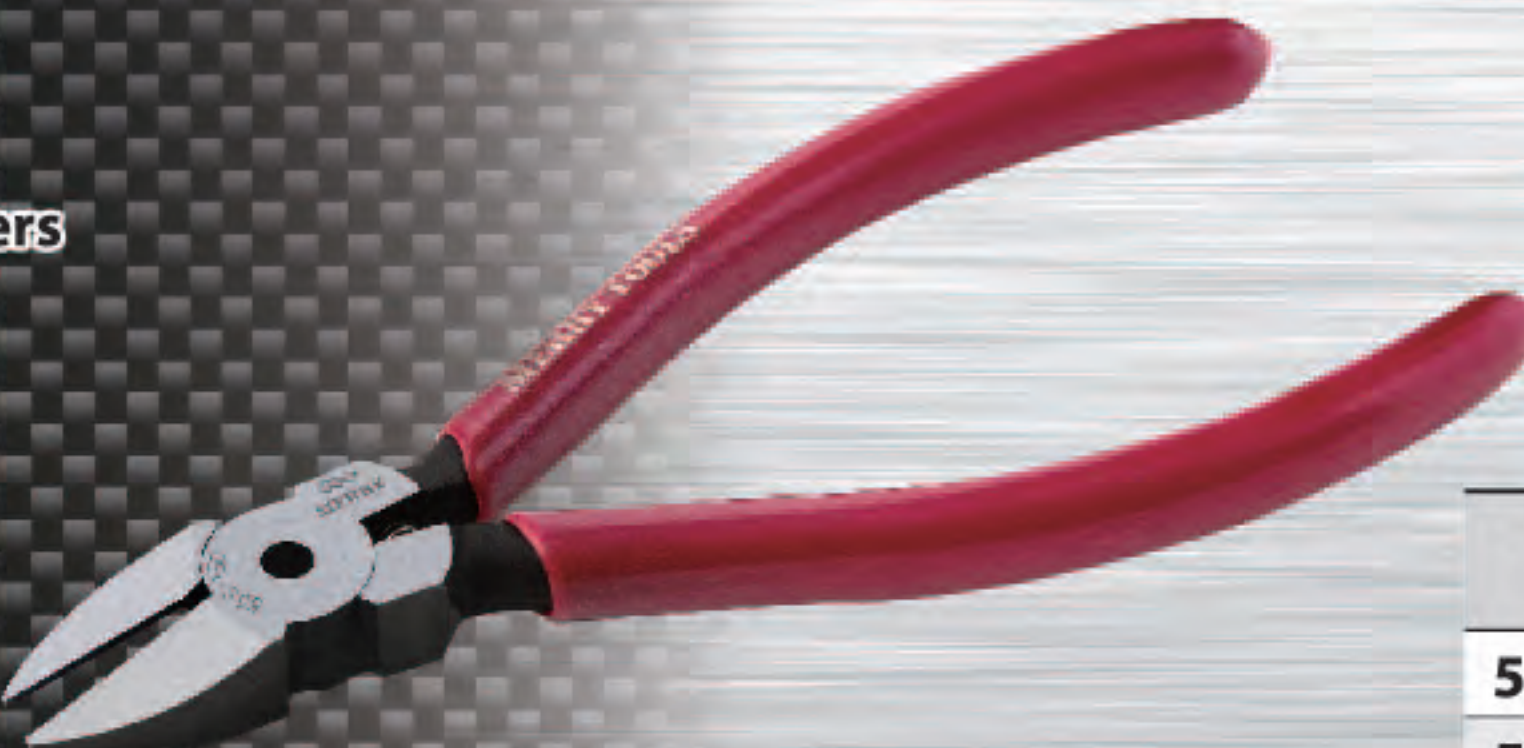
Model	Size (mm)	Dimensions(mm)			Weight (g)	Cutting capacity (φmm)	
		A	B	C		Steel wire	Copper wire
207S	225	26.0	12.2	27.0	345	3.0	4.0

55S

Electronic nippers

Spring Loaded

Semi-flush



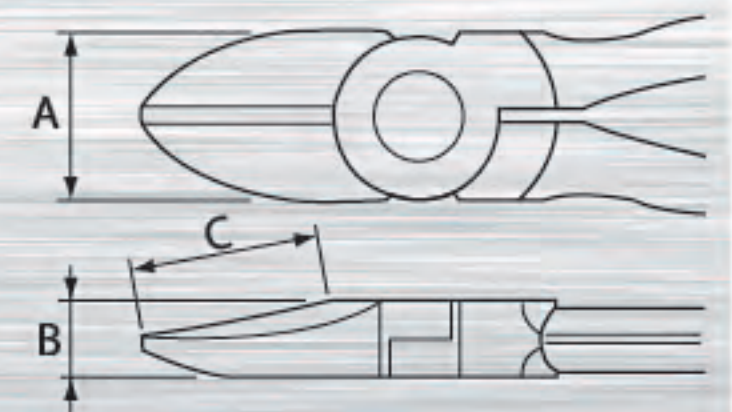
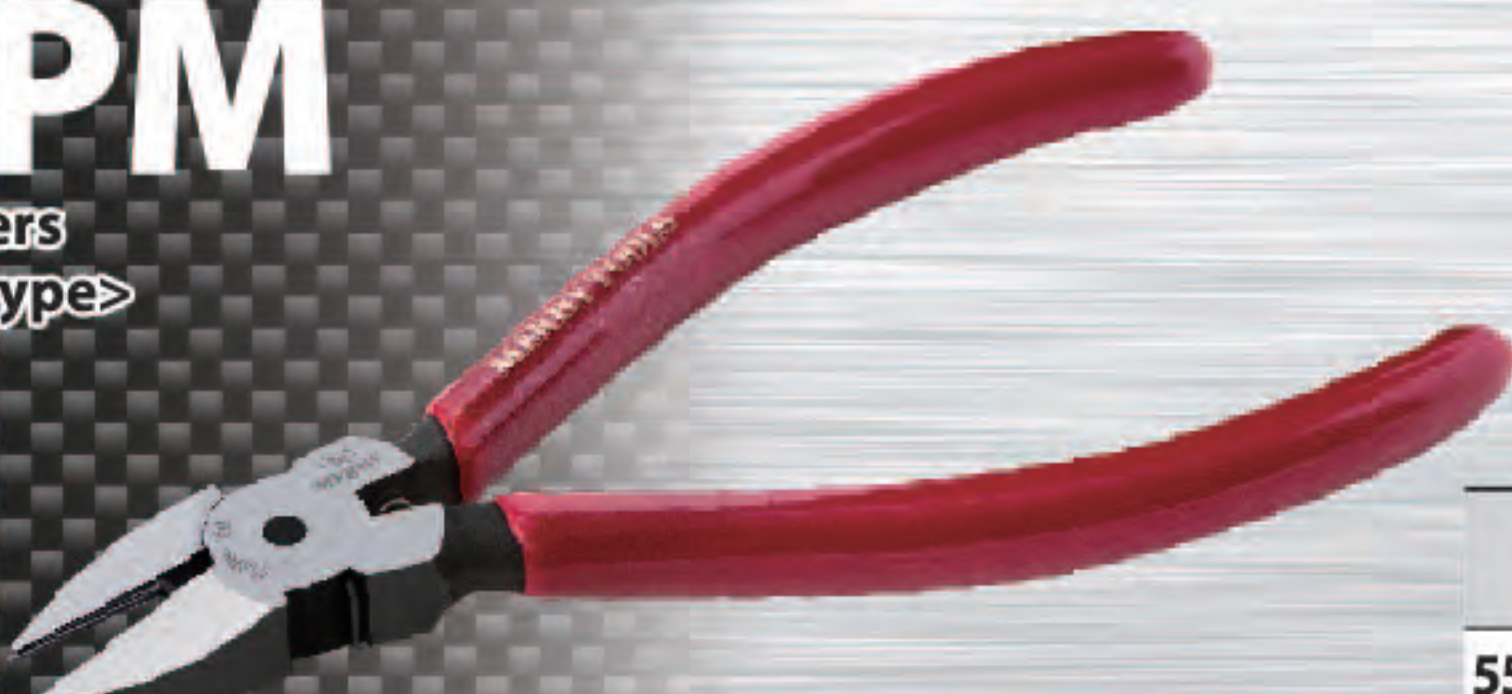
Model	Size (mm)	Dimensions(mm)			Weight (g)	Cutting capacity (φmm)	
		A	B	C		Steel wire	Copper wire
55S-120	120	13.0	8.5	14.0	85	0.8	1.2
55S-150	150	17.5	10.5	20.0	150	1.5	2.6

55SPM

Electronic nippers
<wire holding type>

Spring Loaded

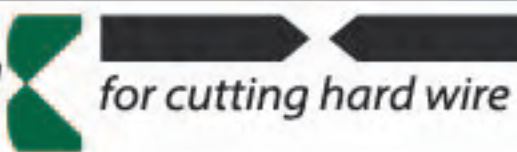
Semi-flush

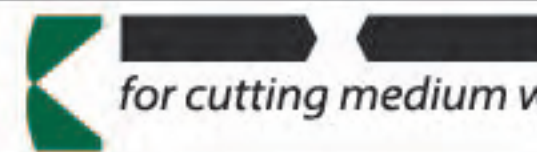



Model	Size (mm)	Dimensions(mm)			Weight (g)	Cutting capacity (φmm)	
		A	B	C		Steel wire	Copper wire
55SPM-120	120	13.0	8.0	14.5	90	0.8	1.2
55SPM-150	150	17.0	10.5	20.5	155	1.5	2.6

NIPPERS

Blade shape

Standard  for cutting hard wire

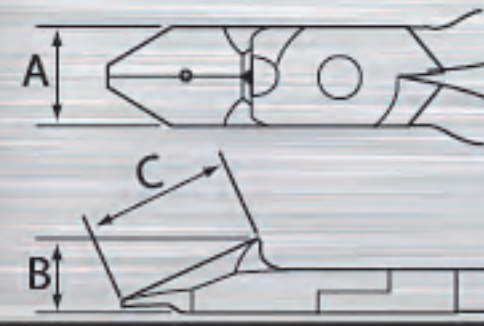
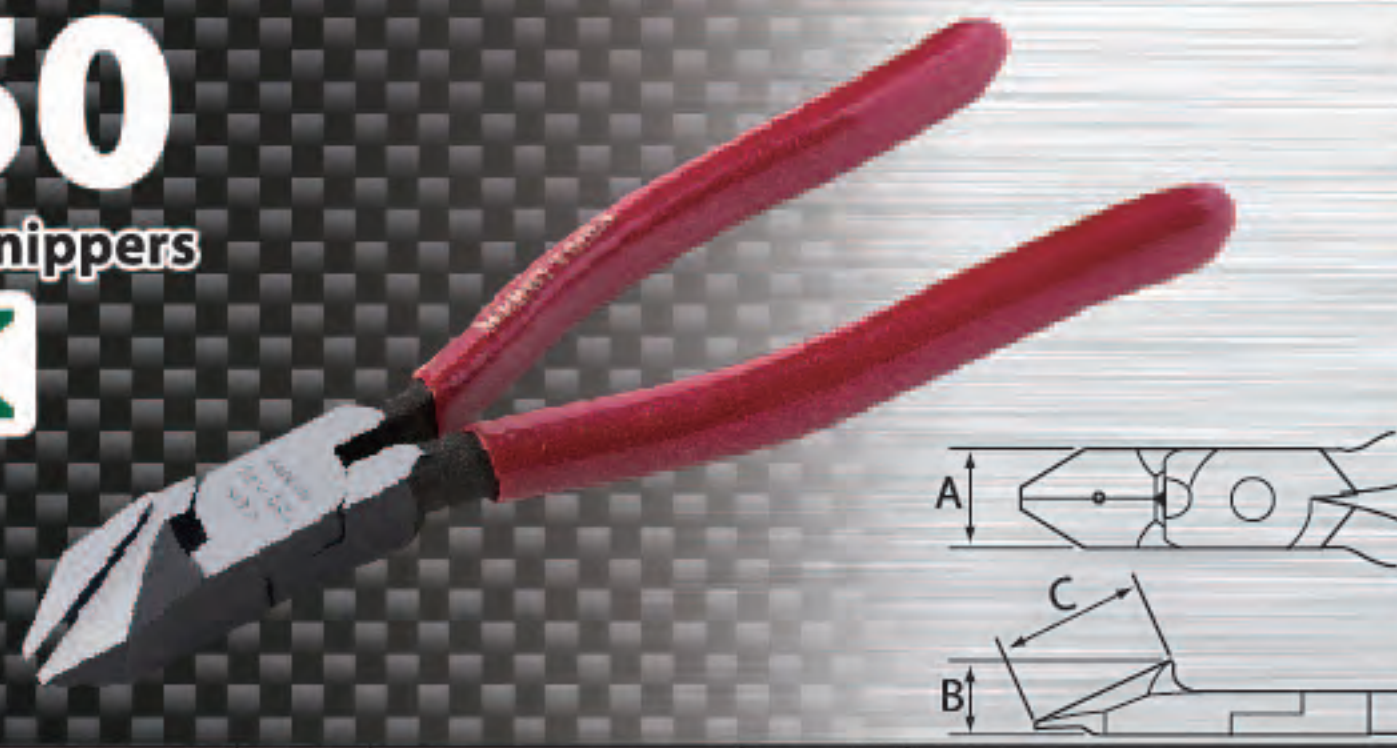
Semi-flush  for cutting medium wire

Full-flush  for cutting soft wire only or plastic, gate and sprue

550

Cutting nippers

Semi-flush 



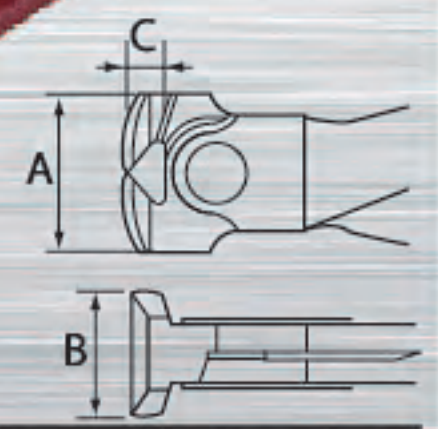
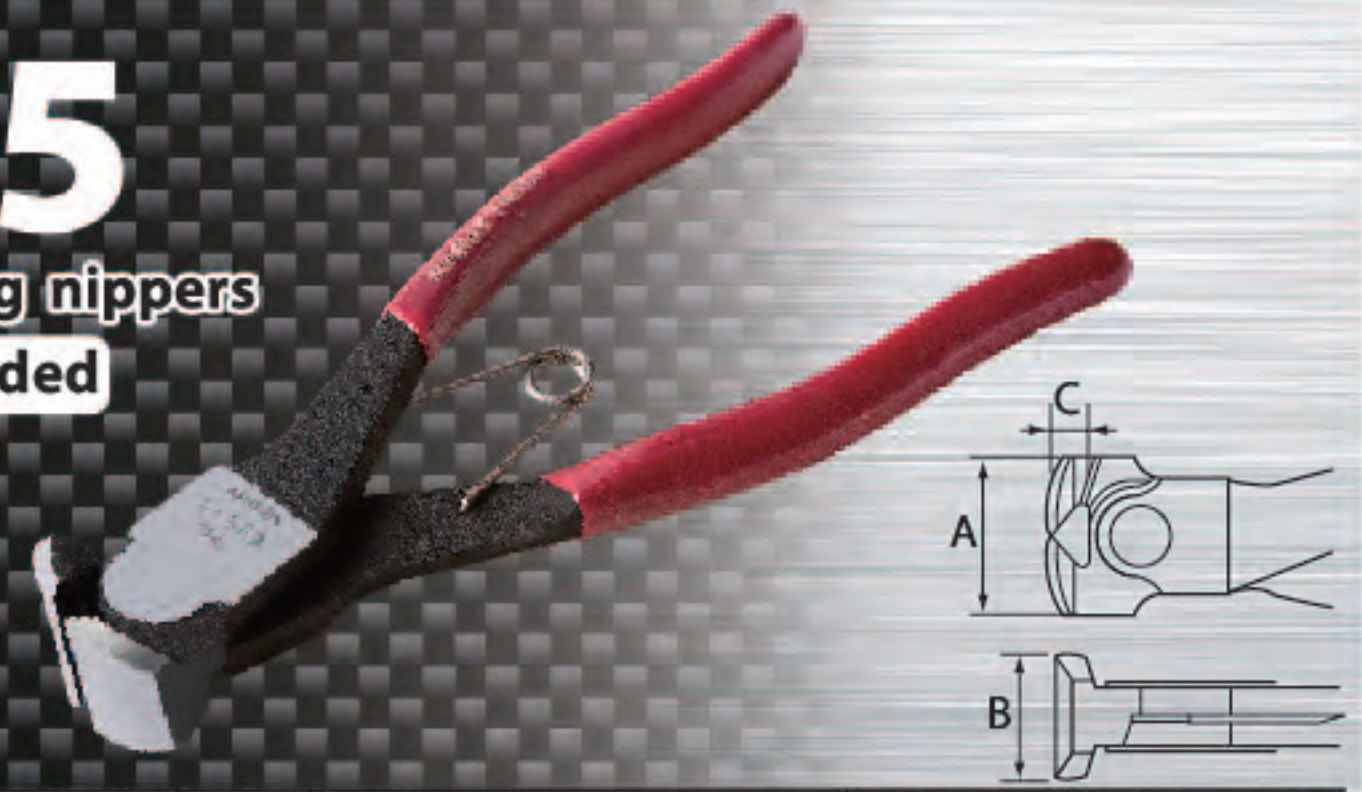
Model	Size (mm)	Dimensions(mm)			Weight (g)	Cutting capacity (φmm)	
		A	B	C		Steel wire	Copper wire
550-150	150	15.0	15.0	25.0	130	1.6	2.0
550-175	175	18.0	18.5	28.0	192	2.0	3.0

405

End cutting nippers

Spring Loaded

Standard 



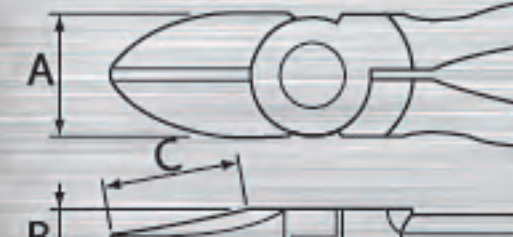
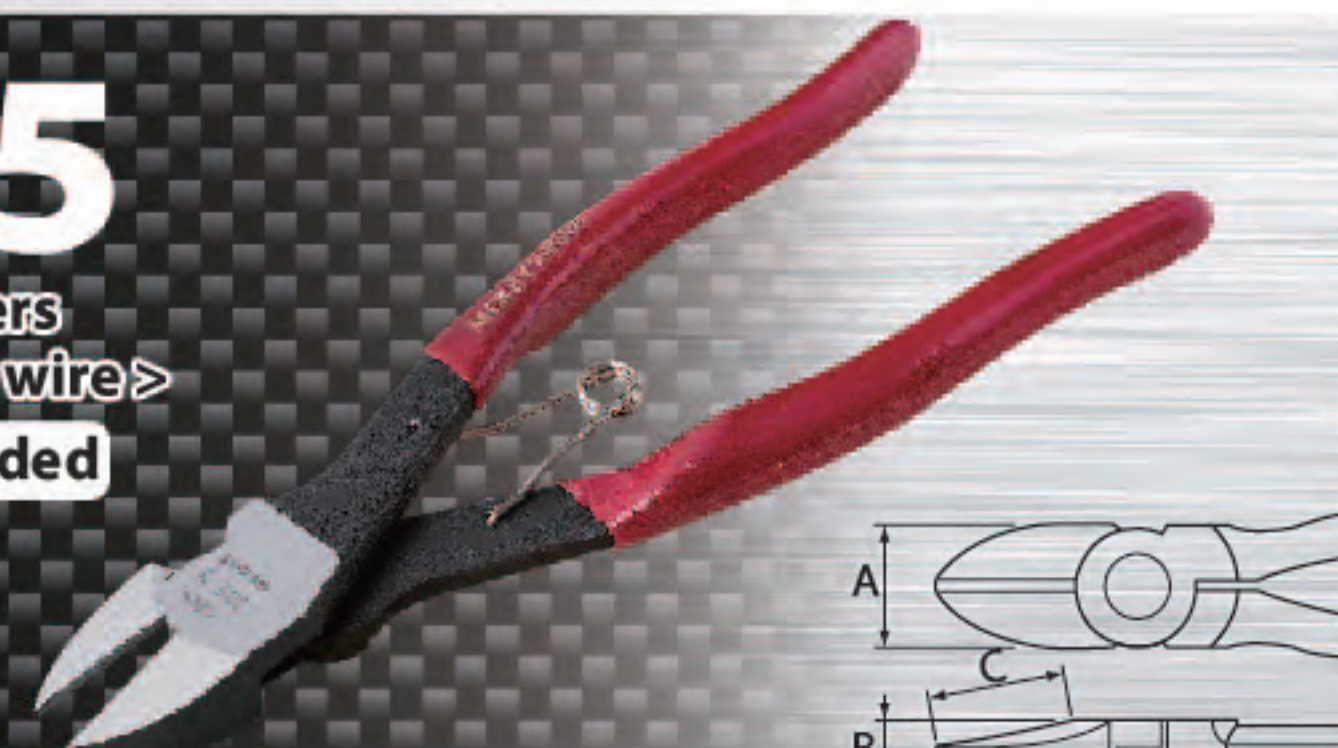
Model	Size (mm)	Dimensions(mm)			Weight (g)	Cutting capacity (φmm)	
		A	B	C		Steel wire	Copper wire
405-7	175	30.5	24.5	7.5	270	2.0	3.0
405-8	200	36.5	30.5	7.5	320	2.4	3.2

305

Wire nippers <for hard wire>

Spring Loaded

Standard 



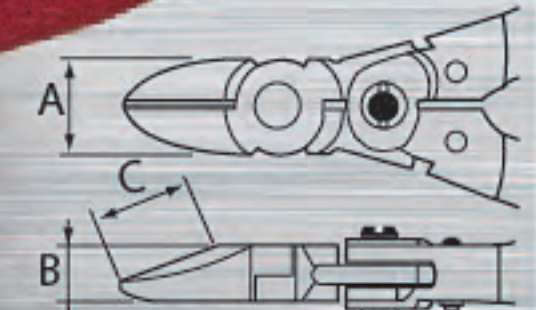
Model	Size (mm)	Dimensions(mm)			Weight (g)	Cutting capacity (φmm)	
		A	B	C		Steel wire	Copper wire
305-7	175	24.0	12.5	20.0	225	2.6	3.5
305-8	200	26.5	12.5	23.0	275	3.2	4.0

WA1000

Compound cutting nippers

Spring Loaded

Standard 




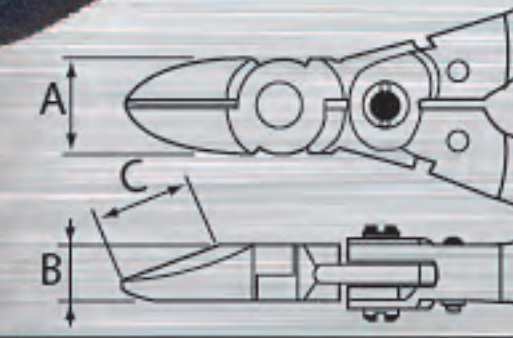
Model	Size (mm)	Dimensions(mm)			Weight (g)	Cutting capacity (φmm)	
		A	B	C		Steel wire	Copper wire
WA1000	160	19.0	11.0	17.0	190	2.0	2.6

WA1000F

Compound cutting nippers

Spring Loaded

Round type 



Model	Size (mm)	Dimensions(mm)			Weight (g)	Cutting capacity (φmm)	
		A	B	C		Plastics	
WA1000F	160	19.0	11.0	16.0	185	5.0	

WA1000Z

Compound cutting nippers <Carbide tipped>

Spring Loaded

Standard 



Model	Size (mm)	Dimensions(mm)			Weight (g)	Cutting capacity (φmm)	
		A	B	C		Piano wire	
WA1000Z	160	19.0	11.0	16.0	190	1.0	

XN200

Diagonal cutting nippers for electrical work

Standard 

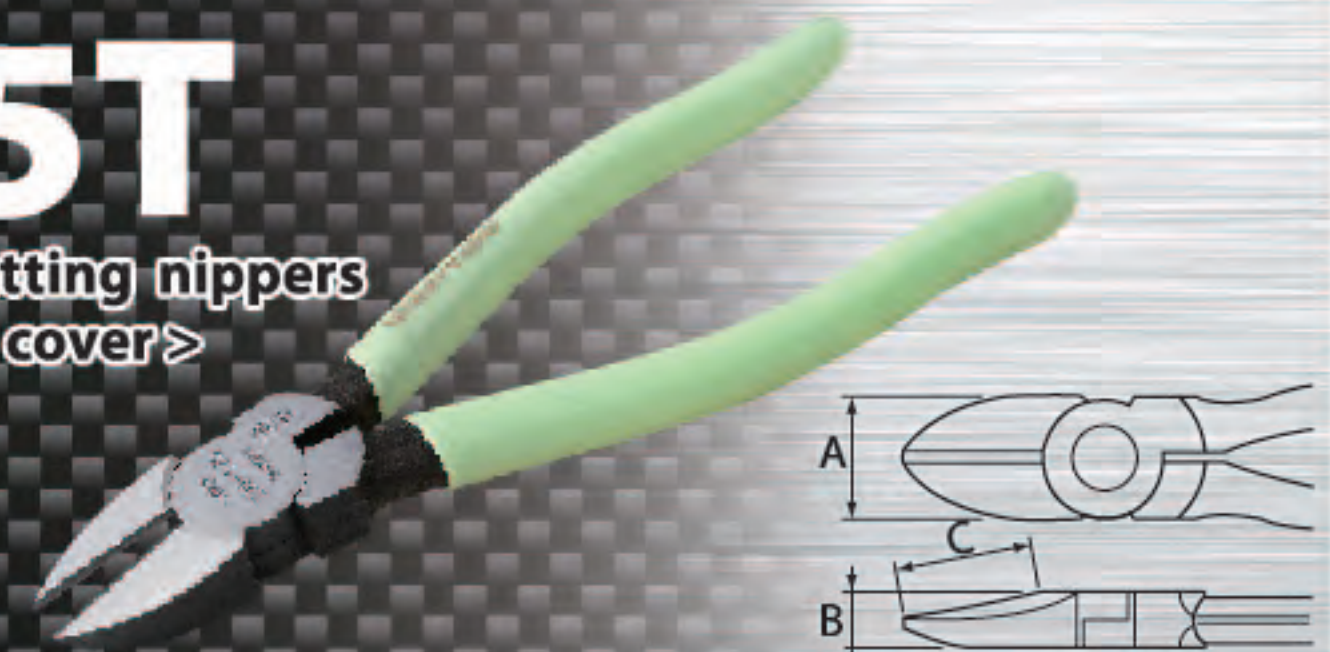


Model	Size (mm)	Dimensions(mm)			Weight (g)	Cutting capacity (φmm)	
		A	B	C		Steel wire	Copper wire
XN200	200	26.5	13.5	29.0	360	2.6	3.5

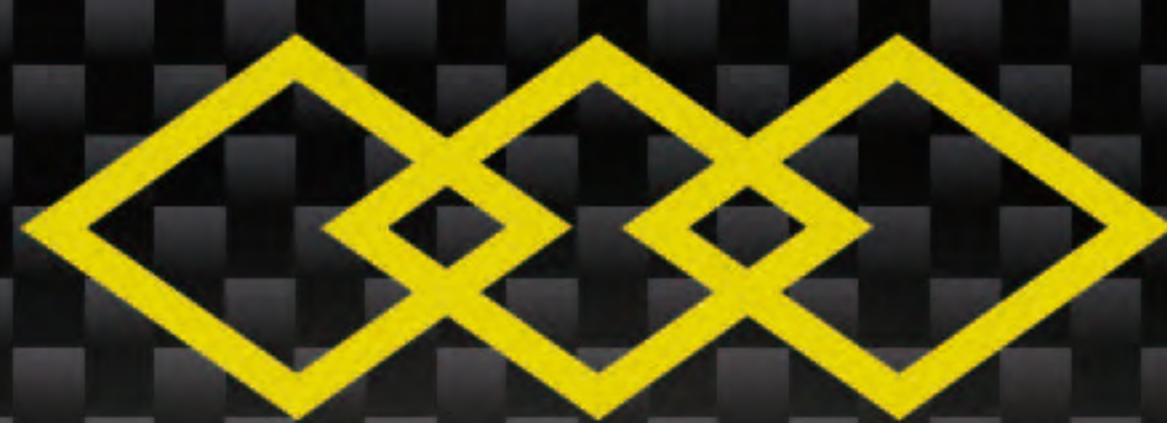
205T

Diagonal cutting nippers <Luminous cover>

Standard 

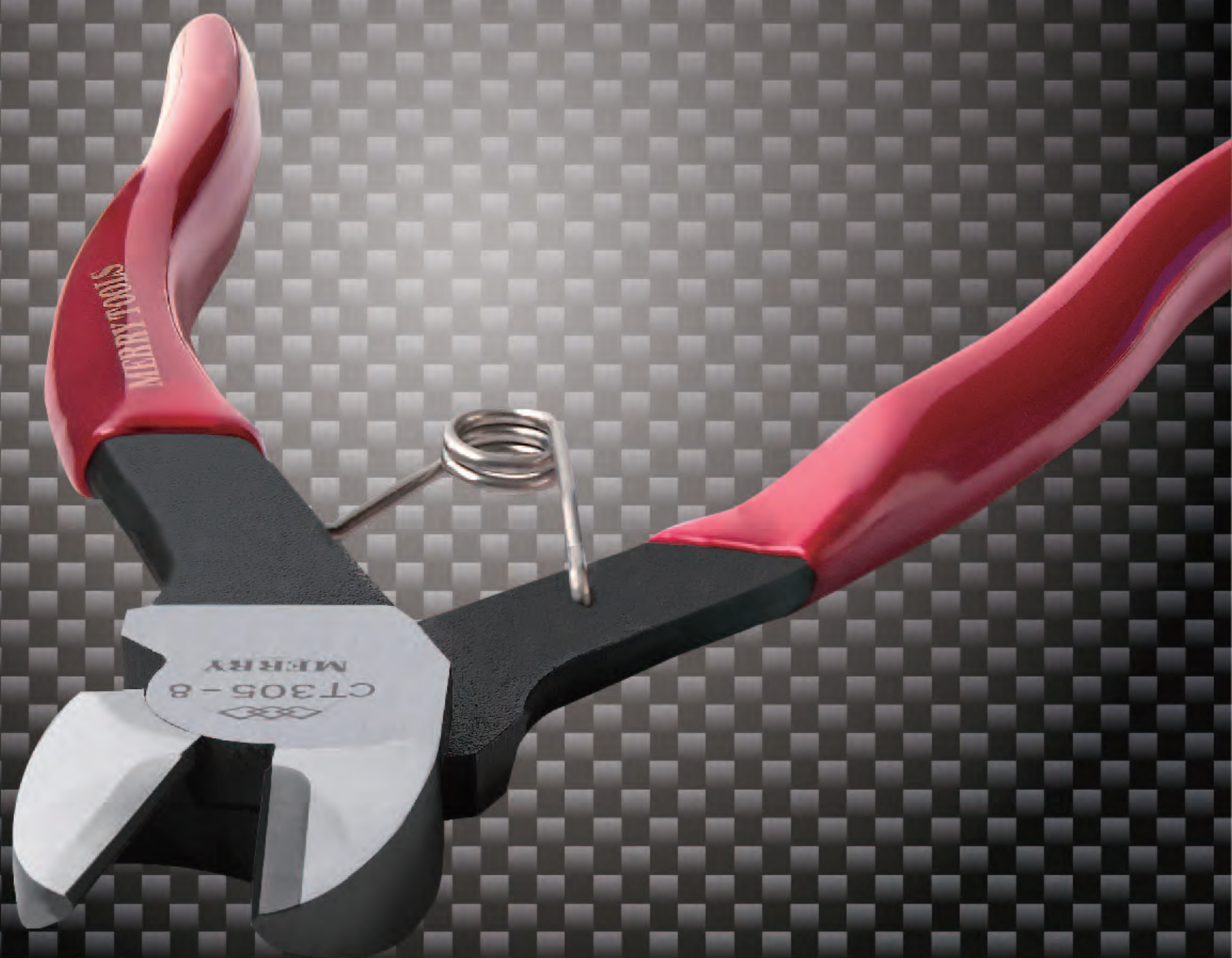


Model	Size (mm)	Dimensions(mm)			Weight (g)	Cutting capacity (φmm)	
		A	B	C		Steel wire	Copper wire
205T-150	150	22.0	12.5	22.5	210	2.0	2.6
205T-175	175	24.5	13.0	26.0	275	2.0	3.0
205T-200	200	26.5	14.0	29.0	360	2.6	3.5



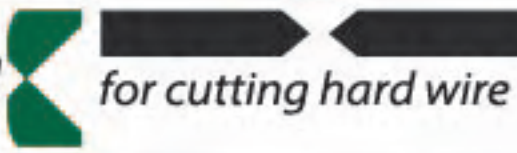
MERRY

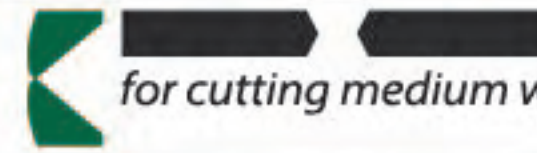
NIPPERS FOR PIANO WIRE




NIPPERS FOR PIANO WIRE

Blade shape

Standard  for cutting hard wire

Semi-flush  for cutting medium wire

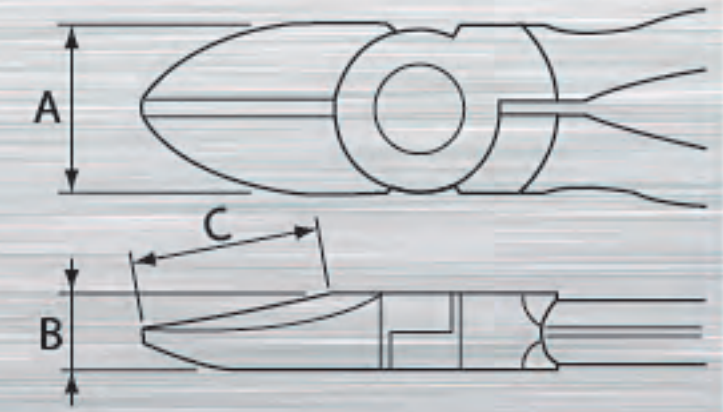
Full-flush  for cutting soft wire only or plastic, gate and sprue

CT55

Electro nippers
<carbide tipped>

Spring Loaded

Semi-flush 



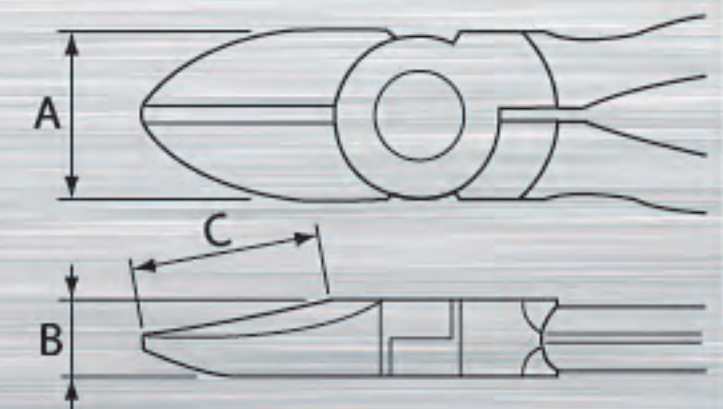
Model	Size (mm)	Dimensions (mm)			Weight (g)	Cutting capacity (φmm)	
		A	B	C		Piano wire	
CT55-120	120	12.0	8.0	8.0	90	0.5	
CT55-150	150	17.0	10.0	16.0	150	0.5	

CT305

Diagonal cutting nippers
<carbide tipped>

Spring Loaded

Standard 



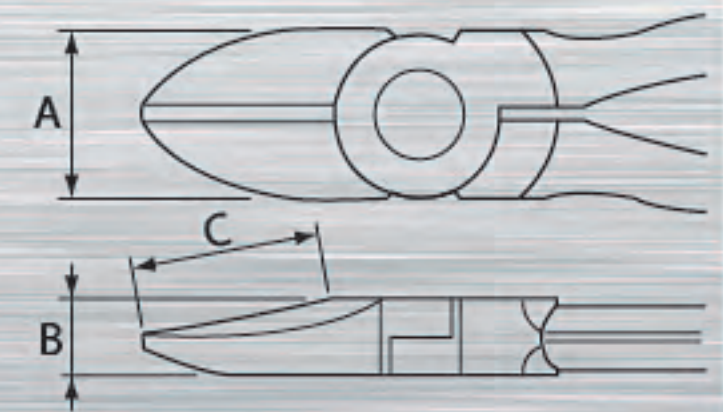
Model	Size (mm)	Dimensions (mm)			Weight (g)	Cutting capacity (φmm)	
		A	B	C		Piano wire	
CT305-7	175	24.0	12.0	16.0	220	1.0	
CT305-8	200	26.0	12.0	16.0	265	1.2	

P56

Steel wire cutting nippers

Spring Loaded

Semi-flush 



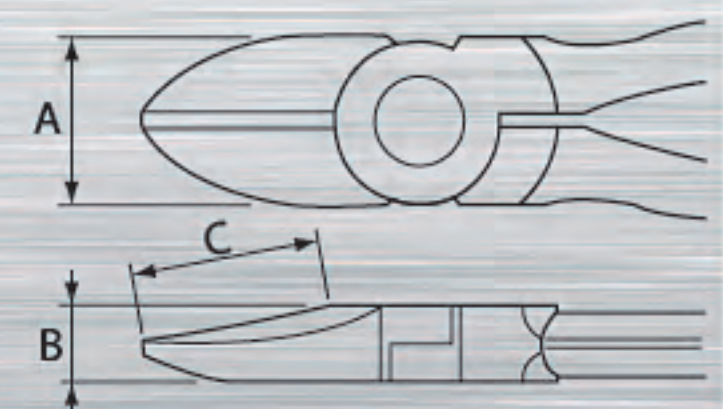
Model	Size (mm)	Dimensions (mm)			Weight (g)	Cutting capacity (φmm)	
		A	B	C		Piano wire	
P56	120	12.0	8.5	12.0	70	0.5	

203

High leverage
steel wire cutting nippers

Spring Loaded

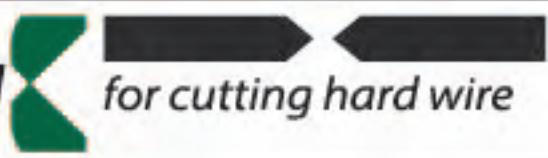
Standard 

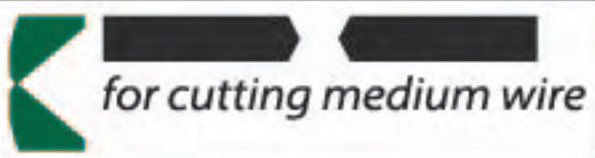



Model	Size (mm)	Dimensions (mm)			Weight (g)	Cutting capacity (φmm)	
		A	B	C		Steel wire (Welding wire)	
203	175	24.0	12.5	24.0	290	1.6	

STANDARD PLIERS AND NIPPERS

Blade shape

Standard  for cutting hard wire

Semi-flush  for cutting medium wire

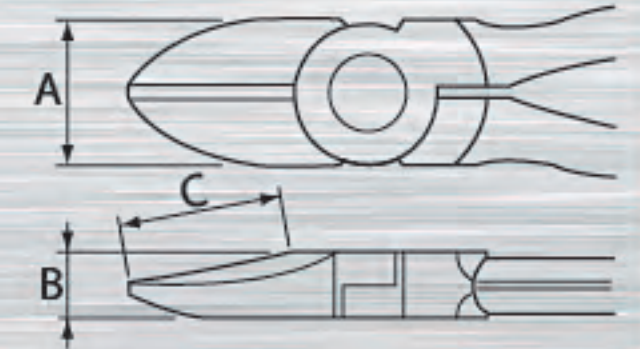
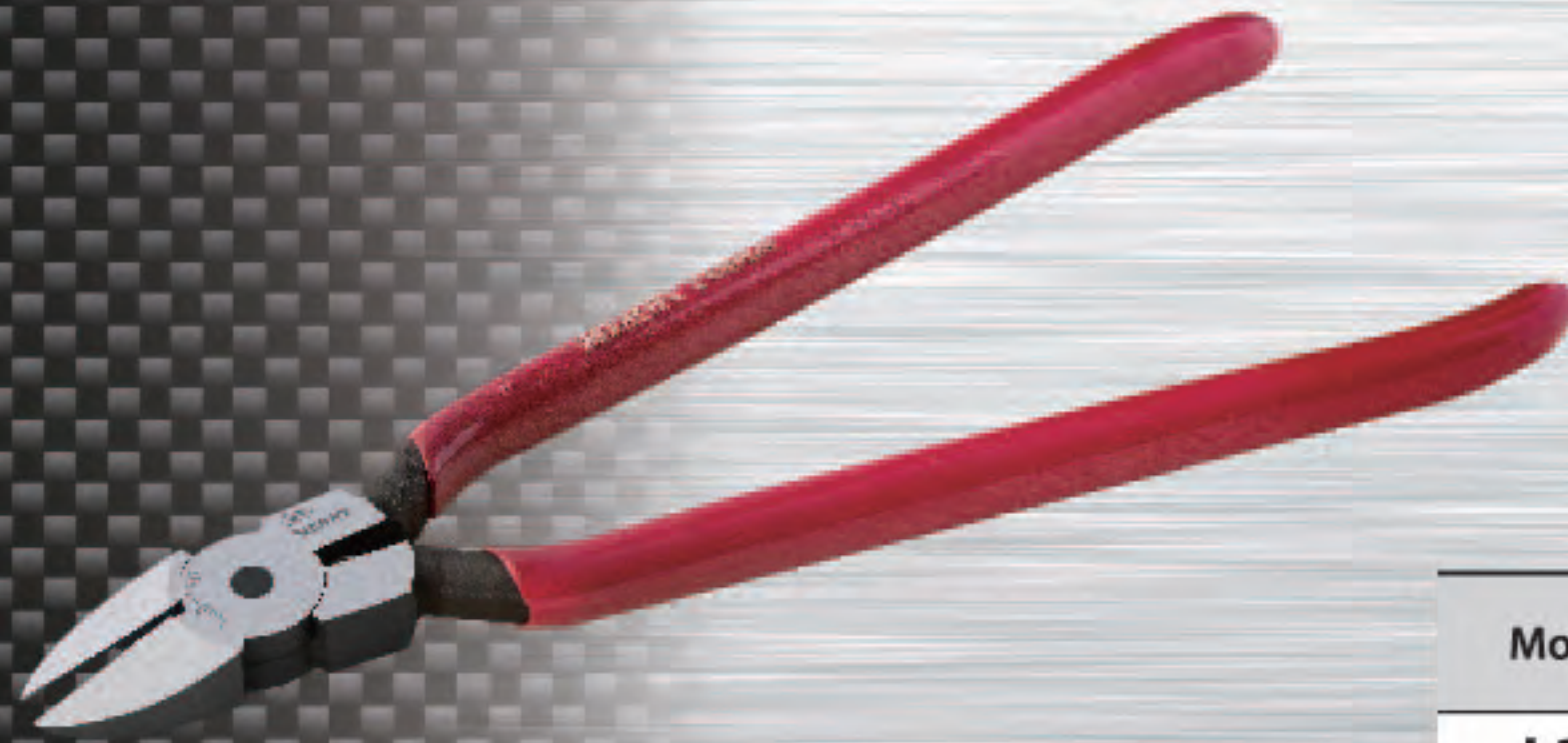
Full-flush  for cutting soft wire only or plastic, gate and sprue

L30

Long handle cutting nippers

Spring Loaded

Semi-flush 



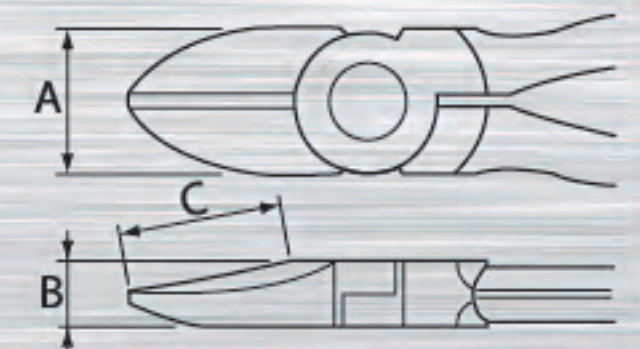
Model	Size (mm)	Dimensions(mm)			Weight (g)	Cutting capacity (φmm)	
		A	B	C		Steel wire	Copper wire
L30	190	17.0	9.0	19.0	165	1.2	2.0

L40

Long handle plastics cutting nippers

Spring Loaded

Flat type 

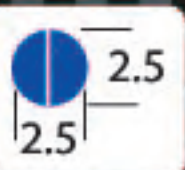


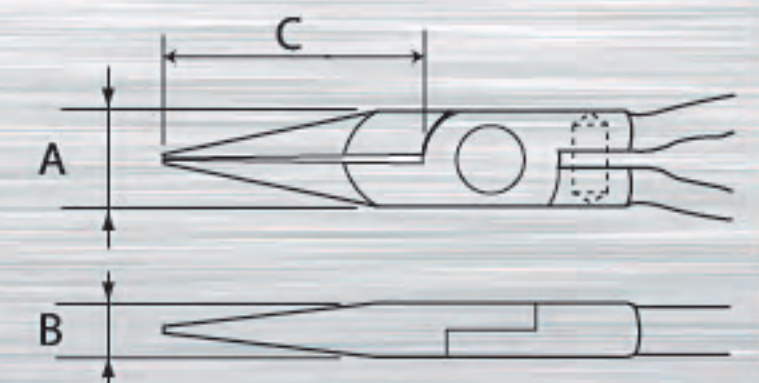
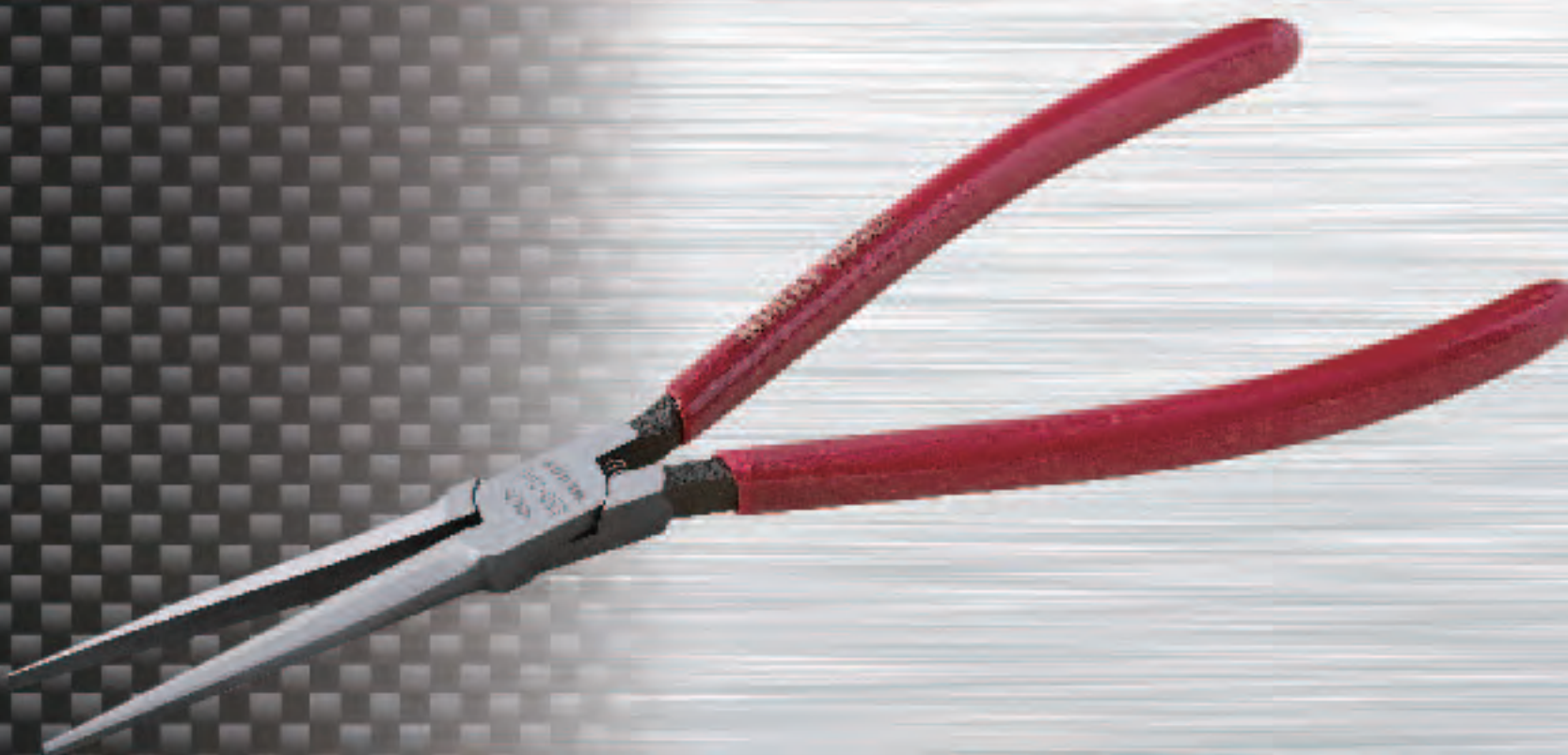
Model	Size (mm)	Dimensions(mm)			Weight (g)	Cutting capacity (φmm)
		A	B	C		Plastics
L40	190	17.0	9.0	19.0	175	5.0

L50

Long handle needle pliers

Spring Loaded

 2.5 / 2.5

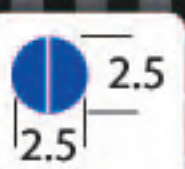


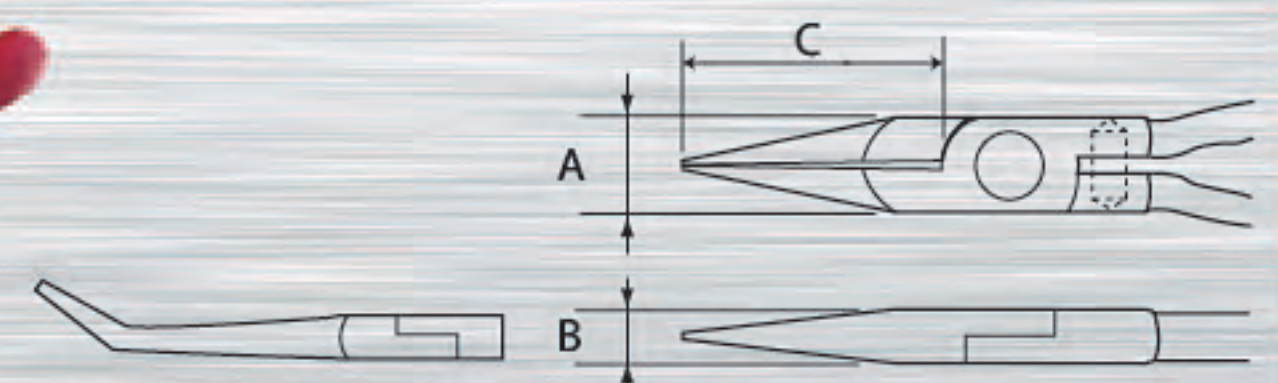
Model	Size (mm)	Dimensions(mm)			Weight (g)
		A	B	C	
L50	200	12.0	7.5	55.0	145

L60

Long handle bent nose pliers

Spring Loaded

 2.5 / 2.5




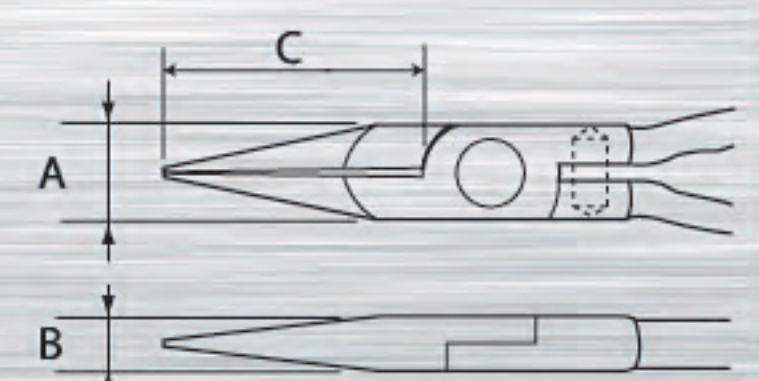
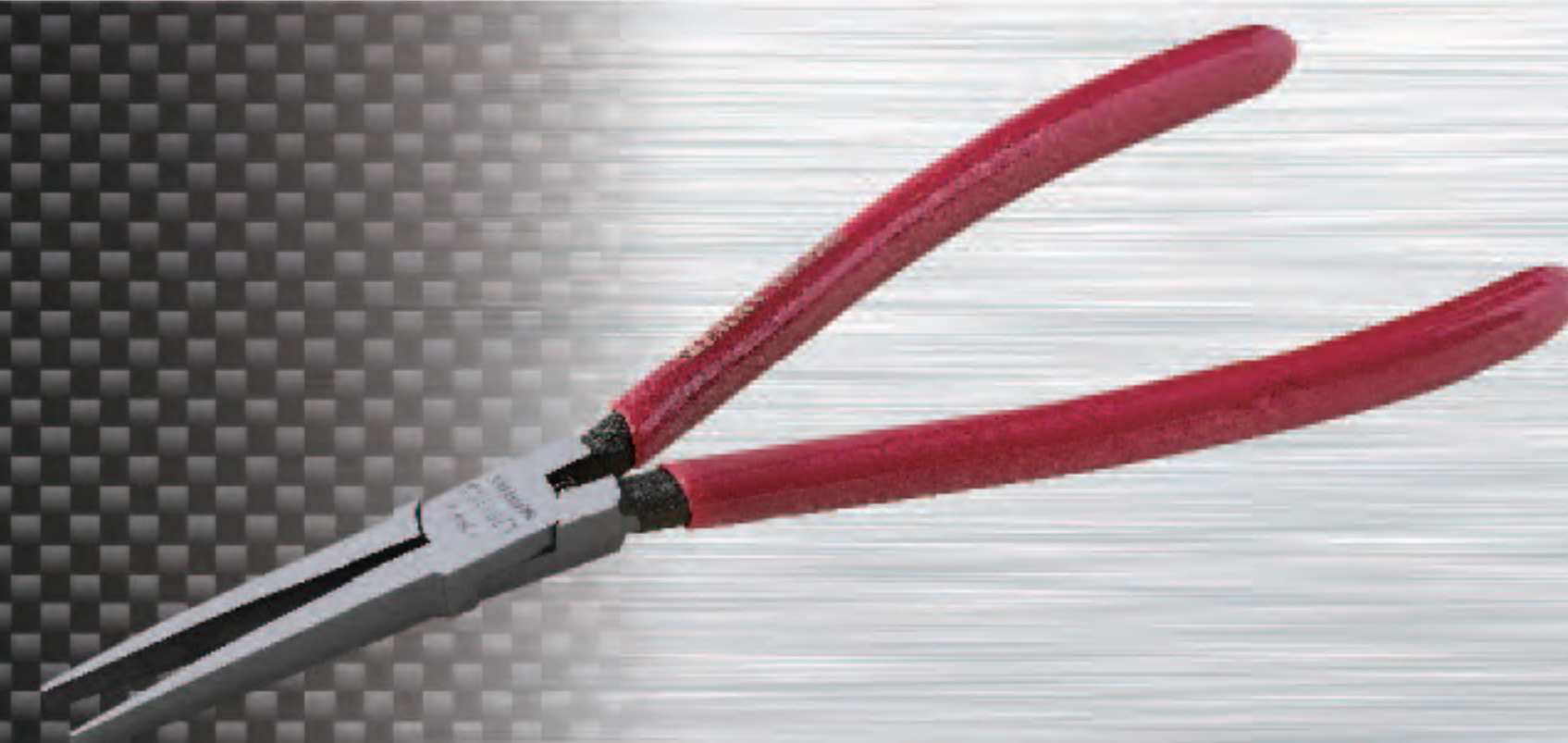
Model	Size (mm)	Dimensions(mm)			Weight (g)
		A	B	C	
L60	200	12.0	7.5	53.0	145

L70

Long handle flat nose pliers

Spring Loaded

 3.5 / 2.0



Model	Size (mm)	Dimensions(mm)			Weight (g)
		A	B	C	
L70	185	11.5	7.0	42.0	130

STANDARD PLIERS AND NIPPERS

Section of blade

Round type

Flat type

Angle type

Blade shape

Semi-flush

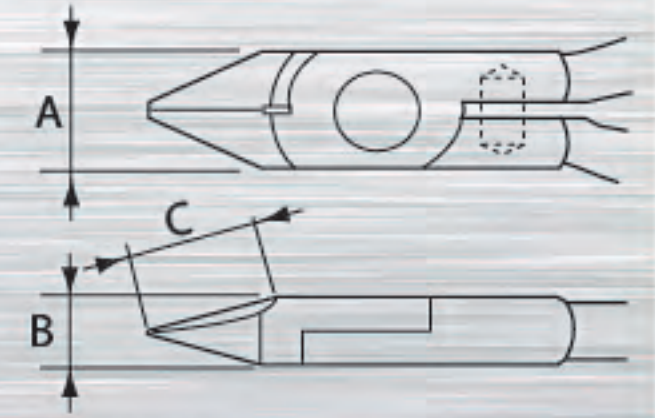
for cutting medium wire

01

Miniature nippers

Spring Loaded

Semi-flush



Model	Size (mm)	Dimensions(mm)			Weight (g)	Cutting capacity (φmm)	
		A	B	C		Steel wire	Copper wire
01	100	9.5	6.0	8.5	50	0.5	0.8

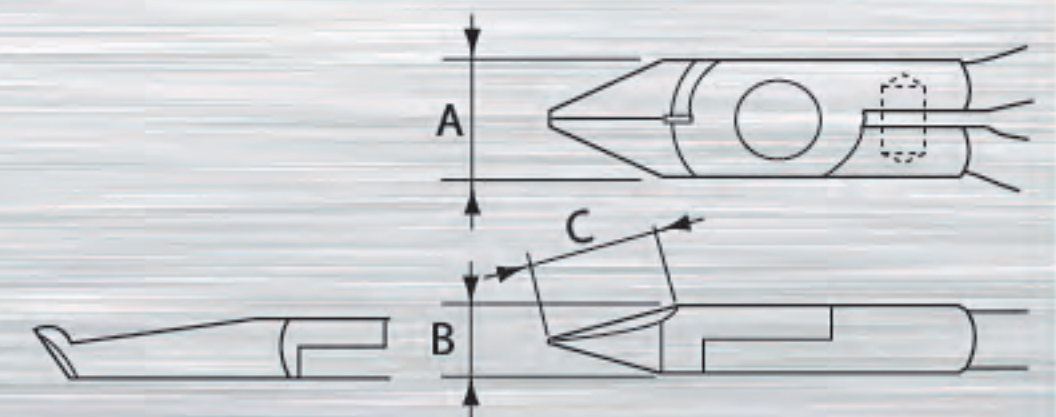
02

Miniature nippers

<Tip edge type>

Spring Loaded

Semi-flush



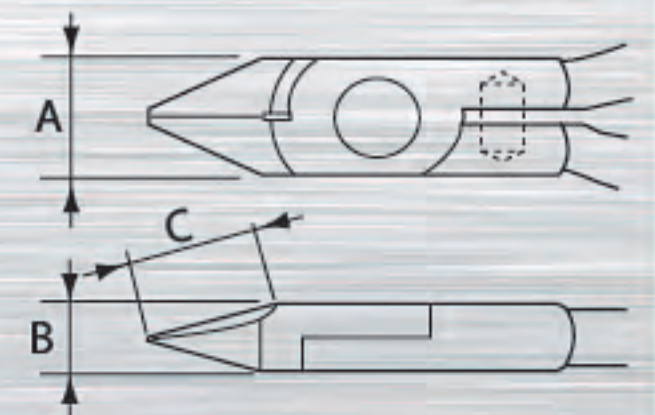
Model	Size (mm)	Dimensions(mm)			Weight (g)	Cutting capacity (φmm)	
		A	B	C		Steel wire	Copper wire
02	125	11.5	7.5	6.5	65	0.5	0.8

03

Miniature nippers

Spring Loaded

Semi-flush



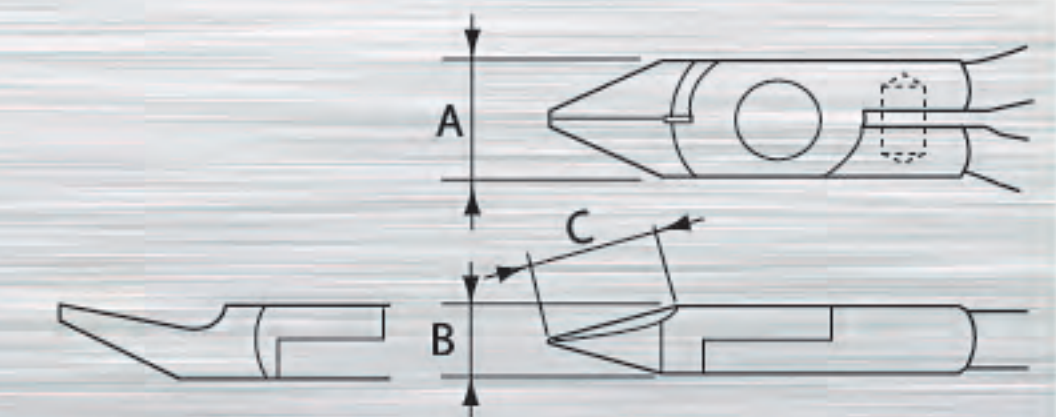
Model	Size (mm)	Dimensions(mm)			Weight (g)	Cutting capacity (φmm)	
		A	B	C		Steel wire	Copper wire
03	100	10.5	7.0	11.0	55	0.5	0.8

04

Miniature nippers

Spring Loaded

Semi-flush



Model	Size (mm)	Dimensions(mm)			Weight (g)	Cutting capacity (φmm)	
		A	B	C		Steel wire	Copper wire
04	100	10.5	7.0	10.0	55	0.5	0.8

05

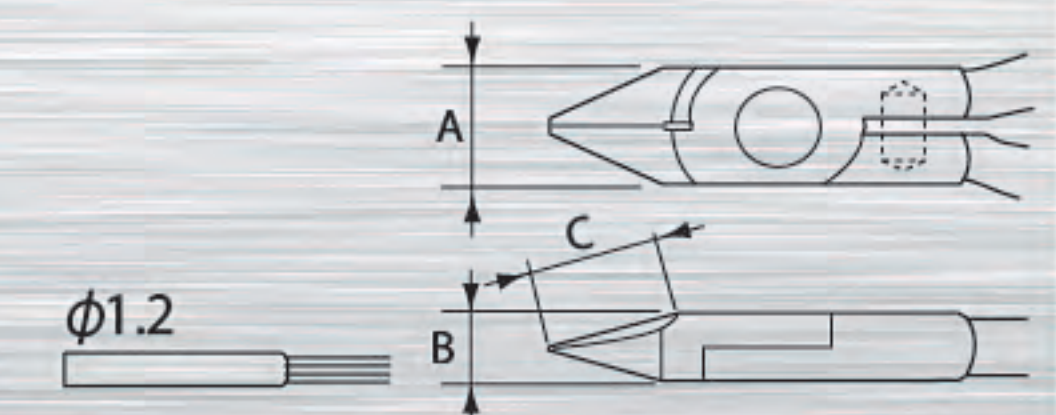
Miniature nippers

<with stripping hole>

Spring Loaded

Semi-flush

Stripping hole



Model	Size (mm)	Dimensions(mm)			Weight (g)	Cutting capacity (φmm)	
		A	B	C		Steel wire	Copper wire
05	100	10.5	7.0	11.0	55	0.5	0.8

STANDARD PLIERS AND NIPPERS

Section of blade

Round type

Flat type

Angle type

Blade shape

Semi-flush for cutting medium wire

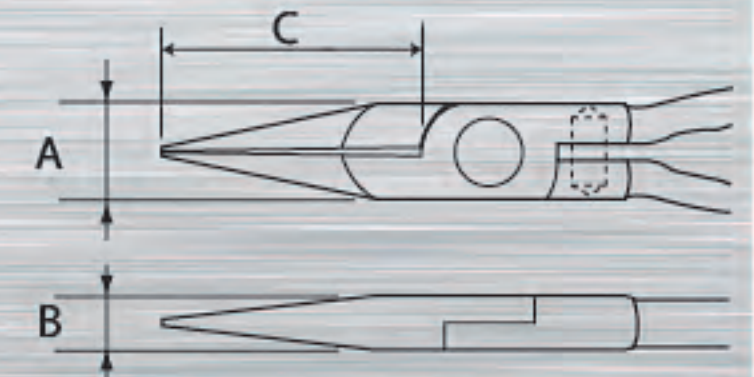
M14

Miniature side cutting pliers

Spring Loaded

1.5
2.0

Serrated



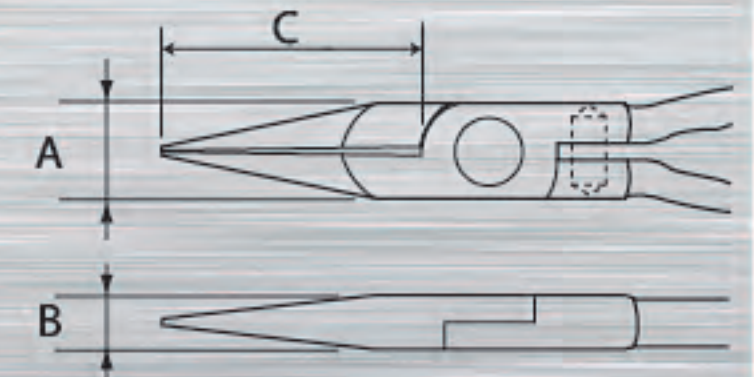
Model	Size (mm)	Dimensions(mm)			Weight (g)	Cutting capacity (φmm)	
		A	B	C		Steel wire	Copper wire
M14	130	13.5	8.0	37.0	80	1.2	2.0

M15

Miniature chain nose pliers

Spring Loaded

1.8
1.8



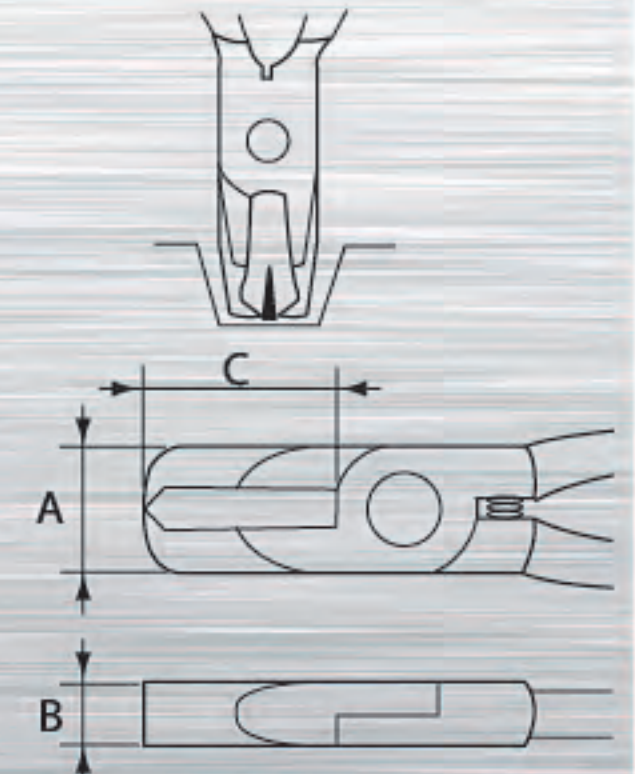
Model	Size (mm)	Dimensions(mm)			Weight (g)
		A	B	C	
M15	125	12.0	7.5	30.0	80

M16

Miniature end cutting nippers

Spring Loaded

Semi-flush



Model	Size (mm)	Dimensions(mm)			Weight (g)	Cutting capacity (φmm)	
		A	B	C		Steel wire	Copper wire
M16	115	12.0	7.0	21.0	65	0.5	0.8