



MERRY

NIPPERS FOR CUTTING PLASTICS



NIPPERS FOR CUTTING PLASTICS

Section of blade

Round type

Flat type

Angle type

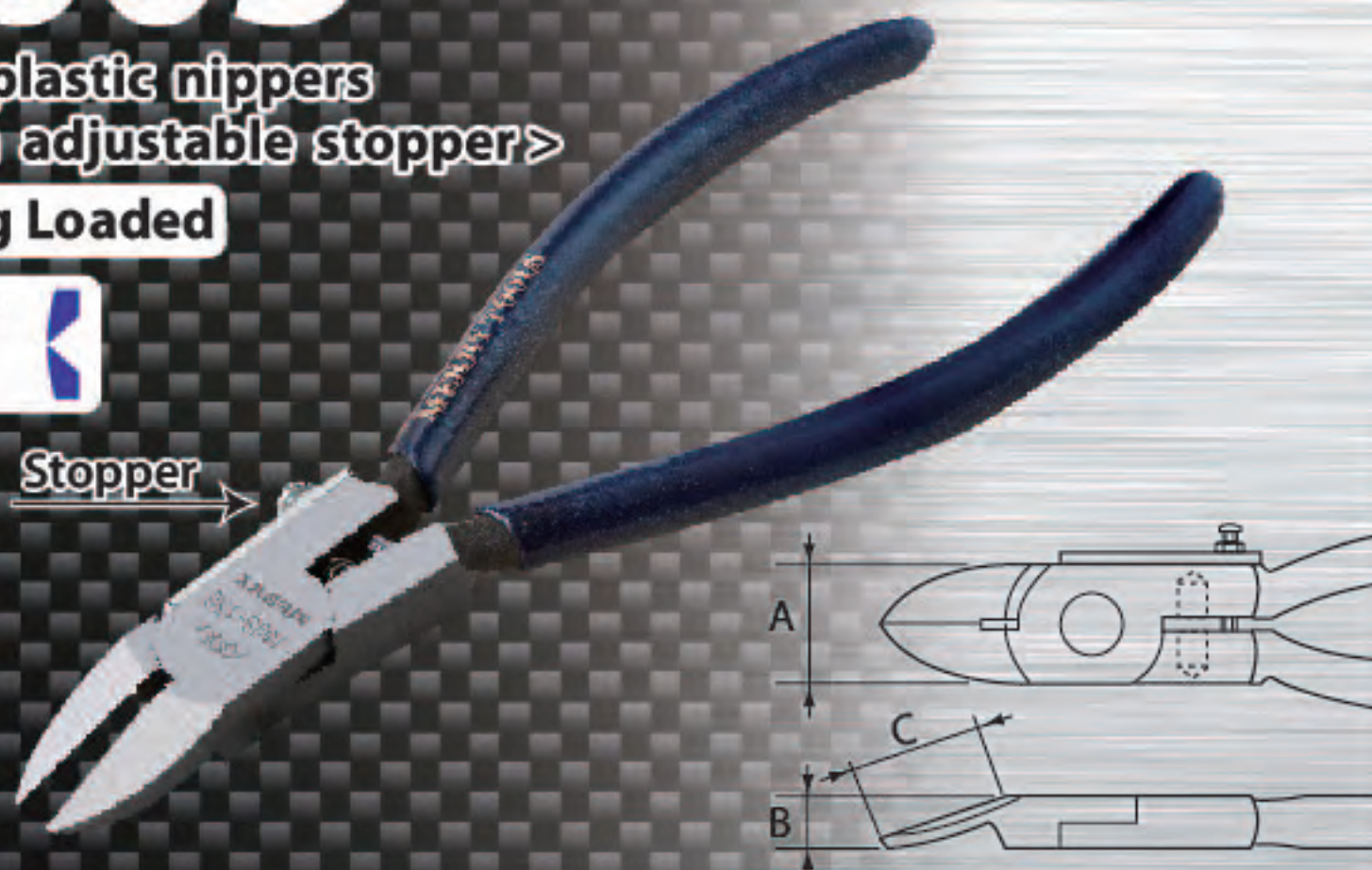
160S

High plastic nippers
<with adjustable stopper>

Spring Loaded

Round type

Stopper



Model	Size (mm)	Dimensions(mm)			Weight (g)	Cutting capacity (φmm) Plastics
		A	B	C		
160S-125	125	14.0	7.5	16.0	90	3.0
160S-150	150	16.0	8.0	17.0	130	5.0

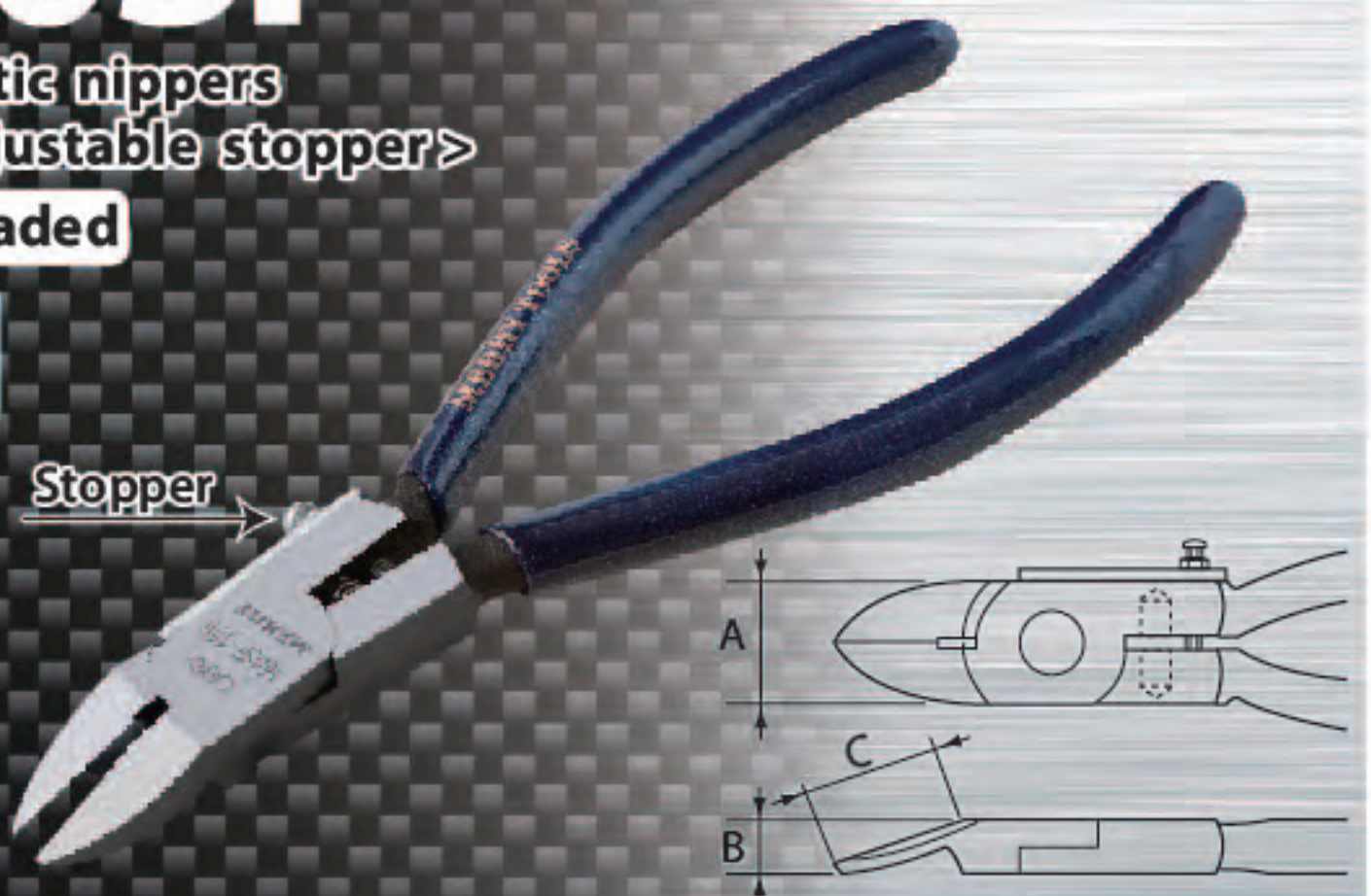
160SF

High plastic nippers
<with adjustable stopper>

Spring Loaded

Flat type

Stopper



Model	Size (mm)	Dimensions(mm)			Weight (g)	Cutting capacity (φmm) Plastics
		A	B	C		
160SF-125	125	14.0	7.5	16.0	90	3.0
160SF-150	150	16.0	8.0	17.0	130	5.0

160SA

High plastic nippers
<with adjustable stopper>

Spring Loaded

Angle type

Stopper



Model	Size (mm)	Dimensions(mm)			Weight (g)	Cutting capacity (φmm) Plastics
		A	B	C		
160SA-125	125	14.0	7.5	16.0	90	3.0
160SA-150	150	16.0	8.0	17.0	130	5.0

160FW

High plastic nippers
<with adjustable stopper>

Spring Loaded

Round type

Stopper



Model	Size (mm)	Dimensions(mm)			Weight (g)	Cutting capacity (φmm) Plastics
		A	B	C		
160FW-125	125	14.0	7.5	16.0	90	2.0
160FW-150	150	16.0	8.0	17.0	130	4.0

160GT

High plastic nippers
<Leaf spring>

Spring Loaded

Round type



Model	Size (mm)	Dimensions(mm)			Weight (g)	Cutting capacity (φmm) Plastics
		A	B	C		
160GT	150	16.0	8.0	17.0	115	5.0

CT160F

Plastic nippers
<carbide tipped>
<with adjustable stopper>

Spring Loaded

Flat type

Stopper



Model	Size (mm)	Dimensions(mm)			Weight (g)	Cutting capacity (φmm) Plastics
		A	B	C		
CT160F-125	125	14.0	7.0	14.0	90	3.0
CT160F-150	150	16.0	8.0	15.0	130	5.0



MERRY

NIPPERS FOR CUTTING PLASTICS



NIPPERS FOR CUTTING PLASTICS

Section of blade

Round type

Flat type

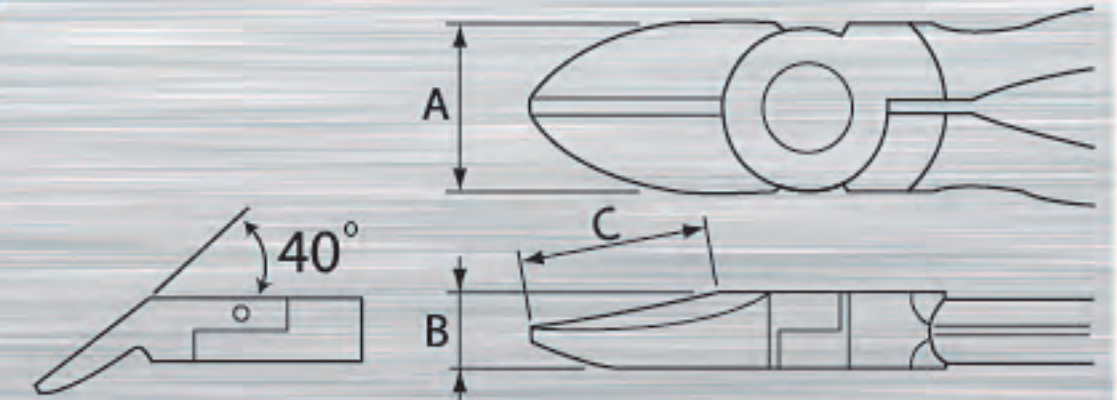
Angle type

170S

Angled plastic nippers

Spring Loaded

Flat type



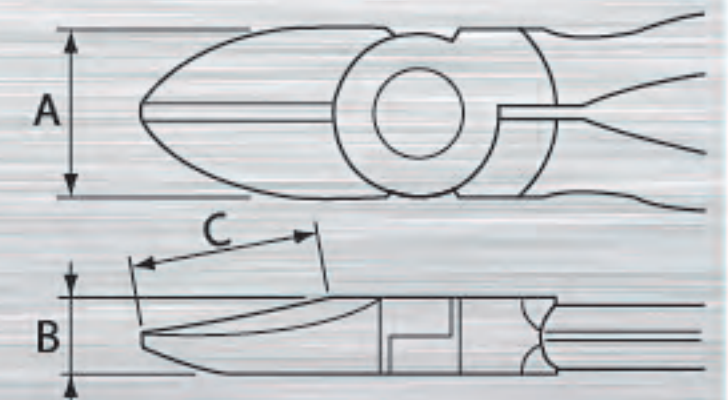
Model	Size (mm)	Dimensions(mm)			Weight (g)	Cutting capacity (φmm)
		A	B	C		Plastics
170S	150	15.0	10.0	22.0	145	5.0

99

Heavy-duty plastic nippers

Spring Loaded

Round type



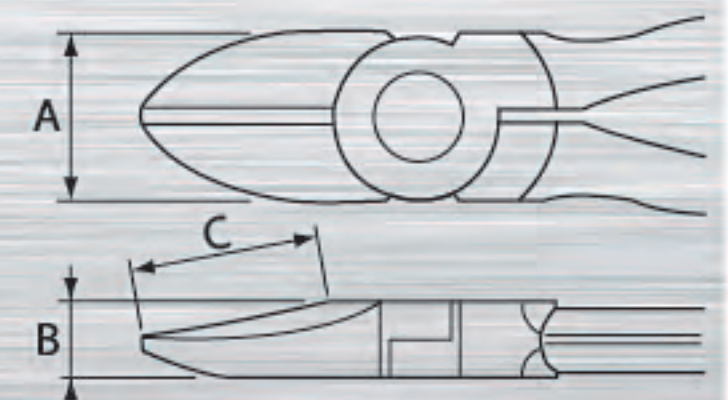
Model	Size (mm)	Dimensions(mm)			Weight (g)	Cutting capacity (φmm)
		A	B	C		Plastics
99-150	150	22.0	12.5	19.5	200	8.0
99-175	175	24.0	12.5	23.0	260	9.0
99-200	200	26.0	13.5	27.0	340	10.0

99S

Heavy-duty plastic nippers
<with adjustable stopper>

Spring Loaded

Round type



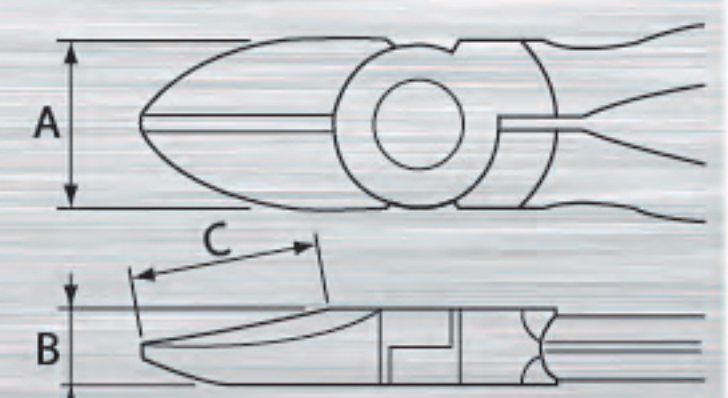
Model	Size (mm)	Dimensions(mm)			Weight (g)	Cutting capacity (φmm)
		A	B	C		Plastics
99S-150	150	22.0	12.5	19.5	210	8.0
99S-175	175	24.0	12.5	23.0	265	9.0
99S-200	200	26.0	13.5	27.0	340	10.0

99SF

Heavy-duty plastic nippers
<with adjustable stopper>

Spring Loaded

Flat type



Model	Size (mm)	Dimensions(mm)			Weight (g)	Cutting capacity (φmm)
		A	B	C		Plastics
99SF-150	150	22.0	12.5	20.0	210	8.0
99SF-175	175	24.0	12.5	23.0	265	9.0
99SF-200	200	25.5	13.5	27.0	345	10.0

NIPPERS FOR CUTTING PLASTICS

Section of blade

Round type

Flat type

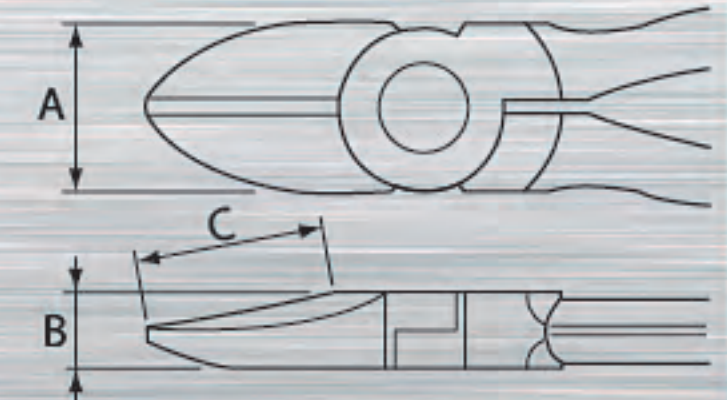
Angle type

66S

Plastic nippers

Spring Loaded

Round type



Model	Size (mm)	Dimensions (mm)			Weight (g)	Cutting capacity (φmm) Plastics
		A	B	C		
66S	150	17.0	10.0	18.0	150	5.0

68S

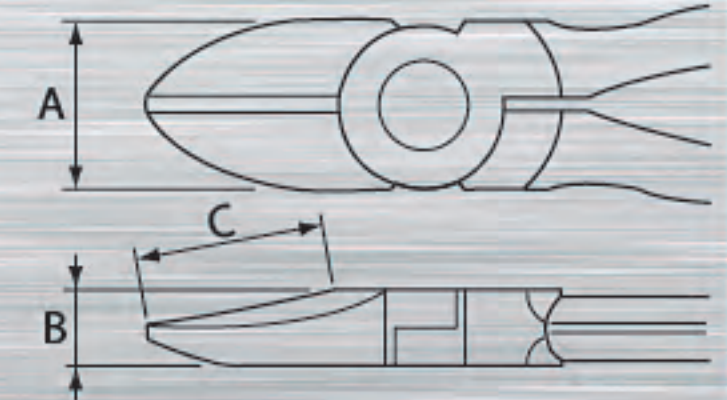
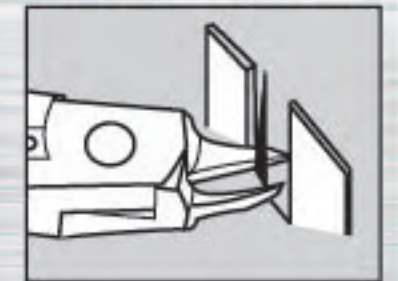
Narrow nose plastic nippers

Spring Loaded

Round type



For cutting in narrow spaces



Model	Size (mm)	Dimensions (mm)			Weight (g)	Cutting capacity (φmm) Plastics
		A	B	C		
68S	125	12.5	8.0	12.0	90	2.0



MERRY

END CUTTING AND R-CUT NIPPERS FOR CUTTING PLASTICS



END CUTTING AND R-CUT NIPPERS FOR CUTTING PLASTICS

23EF

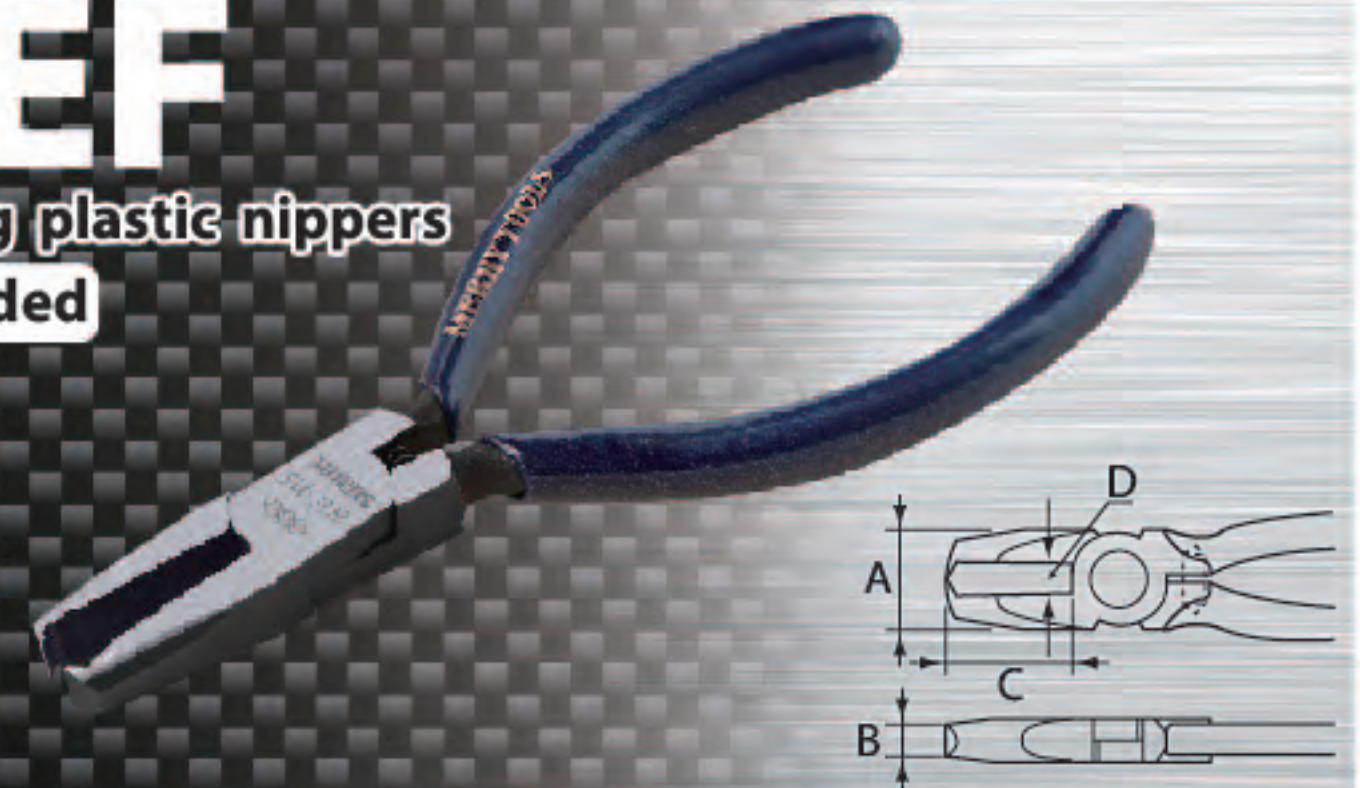
End cutting plastic nippers
Spring Loaded



Model	Size (mm)	Dimensions(mm)				Weight (g)	Cutting capacity (φmm) Plastics
		A	B	C	D		
23EF	130	17.0	7.0	20.0	6.0	120	3.0

24EF

End cutting plastic nippers
Spring Loaded



Model	Size (mm)	Dimensions(mm)				Weight (g)	Cutting capacity (φmm) Plastics
		A	B	C	D		
24EF	115	13.0	5.5	20.0	3.0	75	3.0

25EF

End cutting plastic nippers
Spring Loaded



Model	Size (mm)	Dimensions(mm)				Weight (g)	Cutting capacity (φmm) Plastics
		A	B	C	D		
25EF	145	17.0	5.5	31.0	4.0	125	3.0

26EF

End cutting plastic nippers
Spring Loaded



Model	Size (mm)	Dimensions(mm)				Weight (g)	Cutting capacity (φmm) Plastics
		A	B	C	D		
26EF	140	17.0	7.0	27.0	7.0	130	3.0

HW25R

R-cut plastic nippers
<with adjustable stopper>
Spring Loaded



Model	Size (mm)	Dimensions(mm)			Weight (g)	Cutting capacity (φmm) Plastics
		A	B	C		
HW25R	150	16.0	8.5	16.0	130	5.0

CX25R

R-cut plastic nippers
<with adjustable stopper>
Spring Loaded



Model	Size (mm)	Dimensions(mm)			Weight (g)	Cutting capacity (φmm) Plastics
		A	B	C		
CX25R	150	16.0	8.5	13.0	130	5.0

PG20

Pin gate plastic nippers
<with adjustable stopper>
Spring Loaded



Model	Size (mm)	Weight (g)	Cutting capacity (φmm) Plastics

2000EF

End cutting plastic nippers
Spring Loaded



Model	Size (mm)	Dimensions(mm)				Weight (g)	Cutting capacity (φmm) Plastics
		A	B	C	D		
2000EF	190	18.0	8.0	35.0	20-90	200	3.0



MERRY

NIPPERS FOR CUTTING PLASTICS



NIPPERS FOR CUTTING PLASTICS

Section of blade

Round type

Flat type

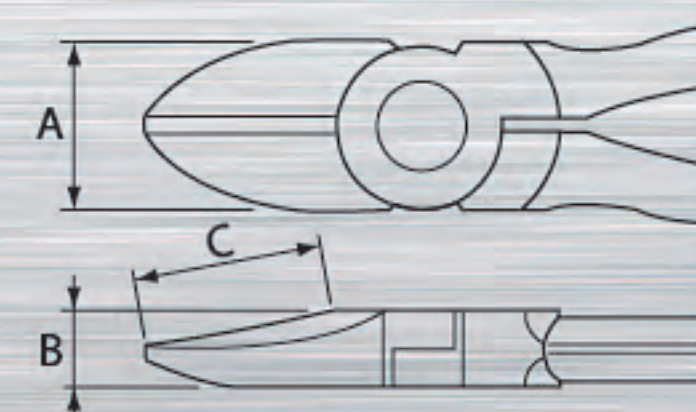
Angle type

550SF

Box joint plastic nippers

Spring Loaded

Round type



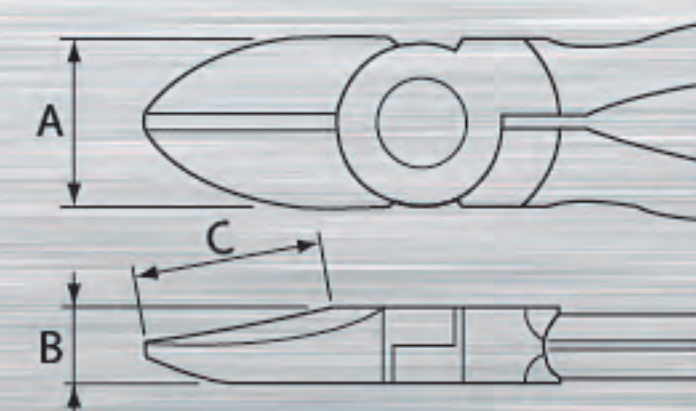
Model	Size (mm)	Dimensions(mm)			Weight (g)	Cutting capacity (φmm)	
		A	B	C		Plastics	
550SF-125	125	14.0	14.5	21.5	110	3.0	
550SF-150	150	15.0	17.0	24.0	140	5.0	

140S

Flat plastic nippers
<with adjustable stopper>

Spring Loaded

Flat type



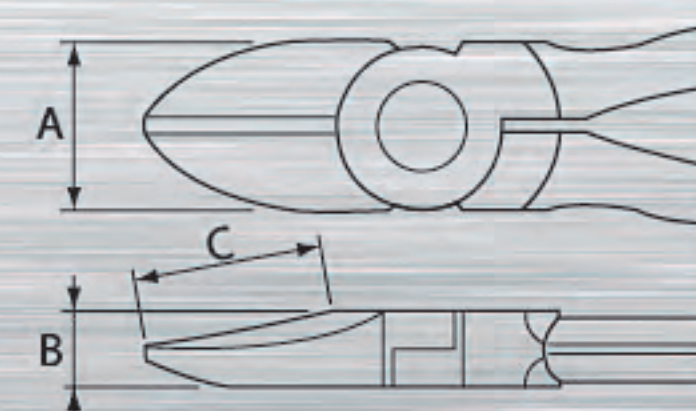
Model	Size (mm)	Dimensions(mm)			Weight (g)	Cutting capacity (φmm)	
		A	B	C		Plastics	
140S	130	12.5	7.5	11.0	90	3.0	

170PL

Smooth plastic nippers

Spring Loaded

Flat type



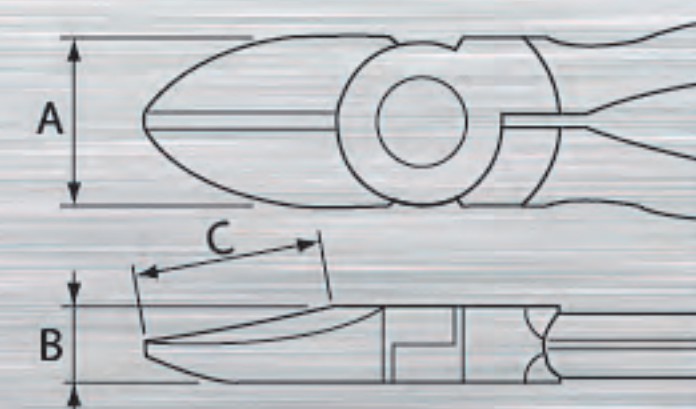
Model	Size (mm)	Dimensions(mm)			Weight (g)	Cutting capacity (φmm)	
		A	B	C		Plastics	
170PL	150	16.0	9.0	24.0	115	5.0	

02SP

Tip edge nippers

Spring Loaded

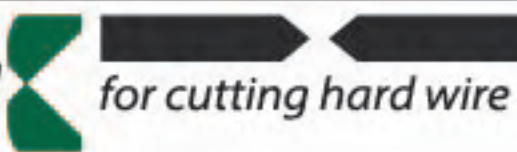
Round type

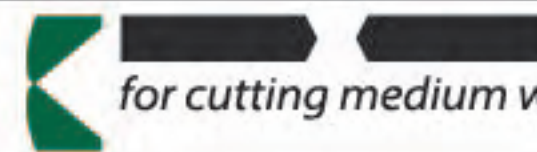



Model	Size (mm)	Dimensions(mm)			Weight (g)	Cutting capacity (φmm)	
		A	B	C		Plastics	
02SP	125	12.0	7.5	6.5	70	2.0	

NIPPERS

Blade shape

Standard  for cutting hard wire

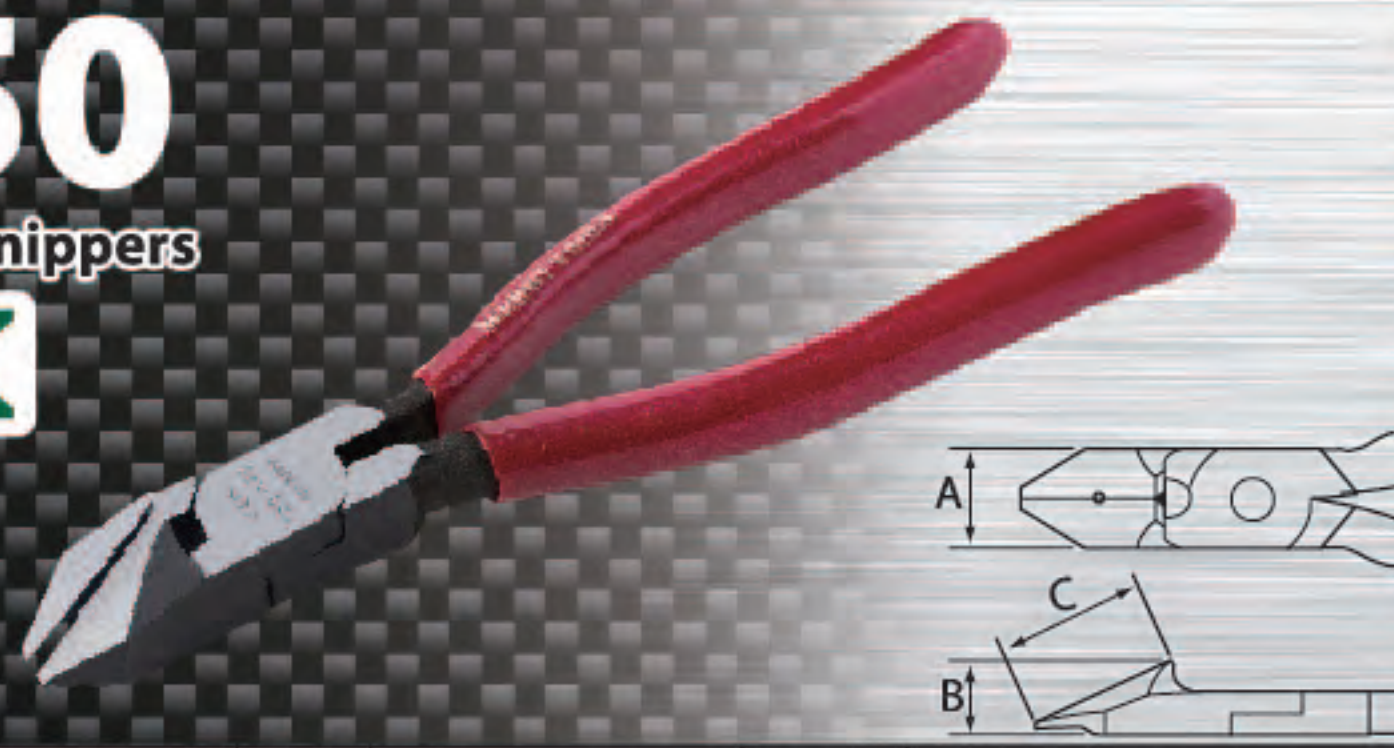
Semi-flush  for cutting medium wire

Full-flush  for cutting soft wire only or plastic, gate and sprue

550

Cutting nippers

Semi-flush 



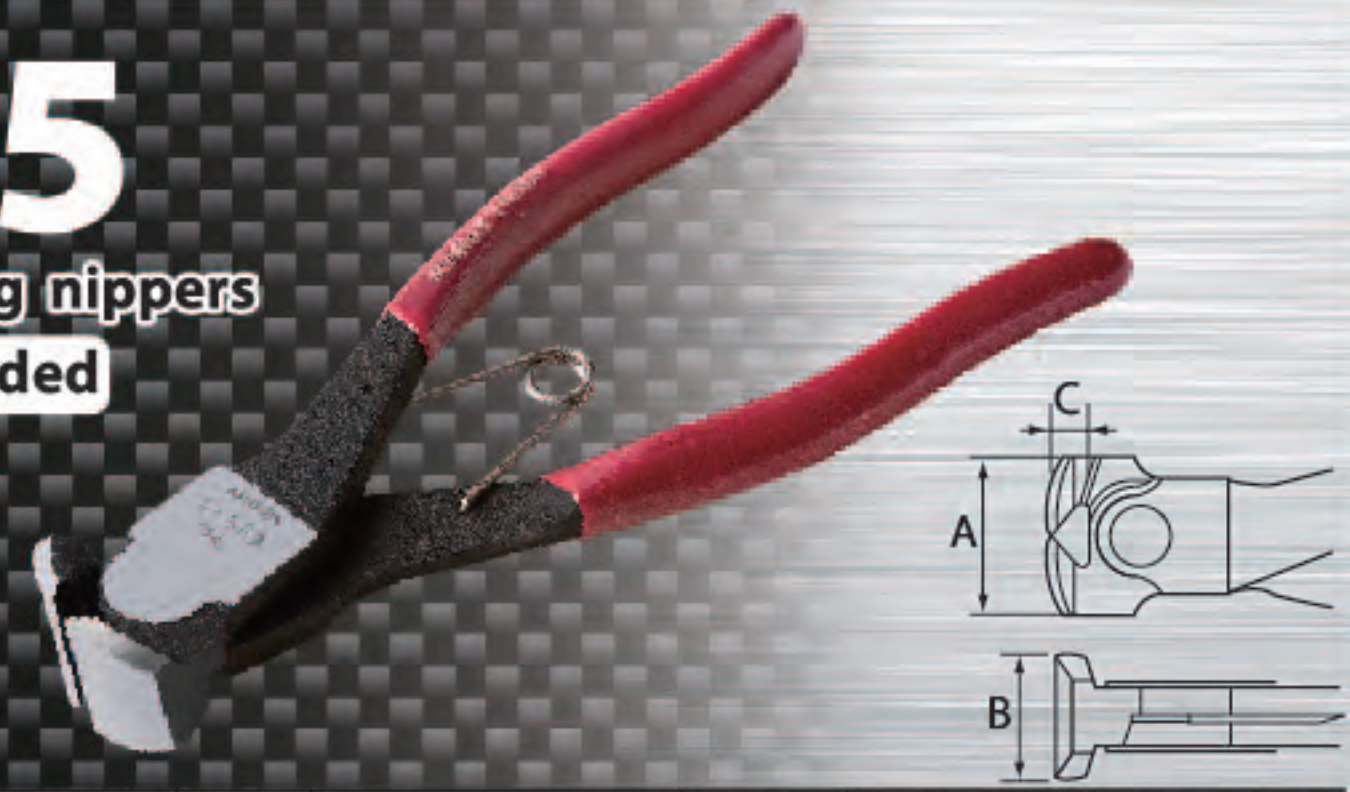
Model	Size (mm)	Dimensions(mm)			Weight (g)	Cutting capacity (φmm)	
		A	B	C		Steel wire	Copper wire
550-150	150	15.0	15.0	25.0	130	1.6	2.0
550-175	175	18.0	18.5	28.0	192	2.0	3.0

405

End cutting nippers

Spring Loaded

Standard 



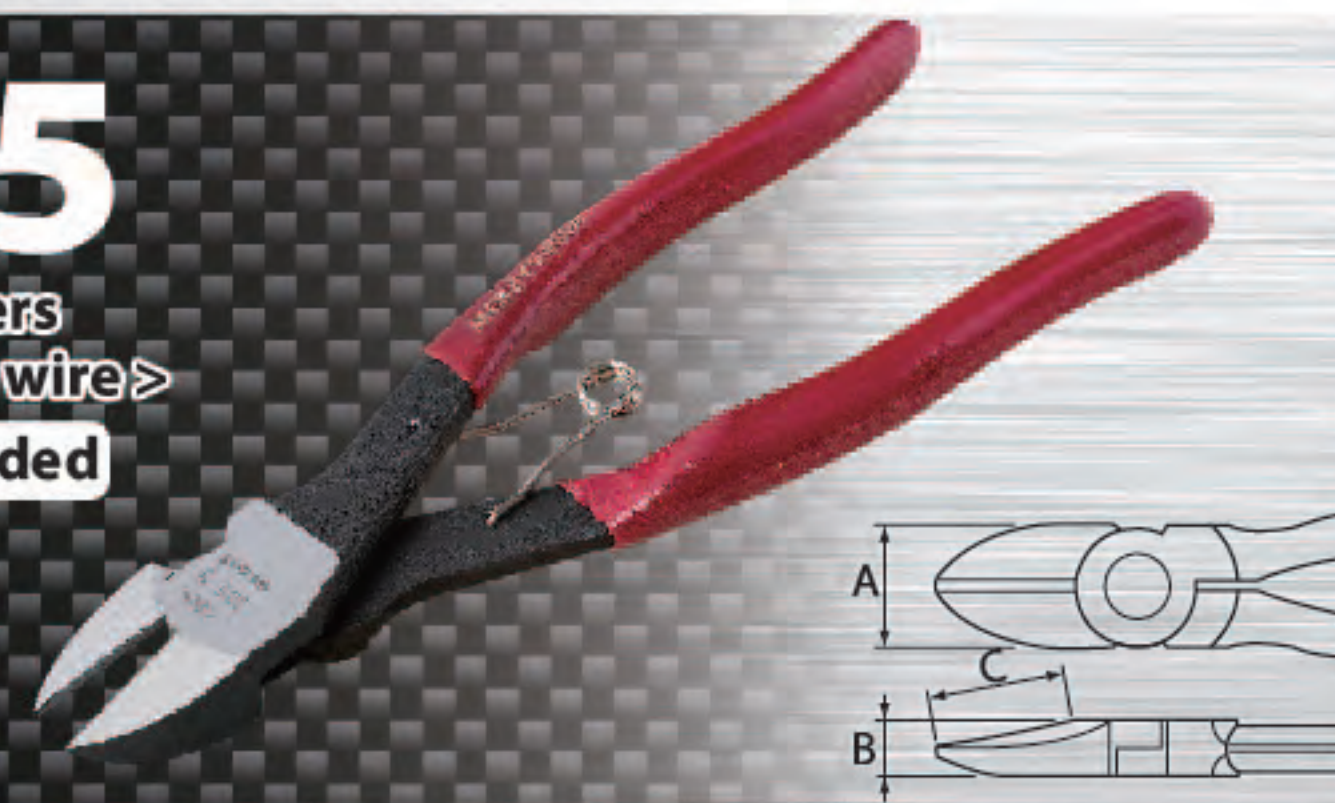
Model	Size (mm)	Dimensions(mm)			Weight (g)	Cutting capacity (φmm)	
		A	B	C		Steel wire	Copper wire
405-7	175	30.5	24.5	7.5	270	2.0	3.0
405-8	200	36.5	30.5	7.5	320	2.4	3.2

305

Wire nippers <for hard wire>

Spring Loaded

Standard 



Model	Size (mm)	Dimensions(mm)			Weight (g)	Cutting capacity (φmm)	
		A	B	C		Steel wire	Copper wire
305-7	175	24.0	12.5	20.0	225	2.6	3.5
305-8	200	26.5	12.5	23.0	275	3.2	4.0

WA1000

Compound cutting nippers

Spring Loaded

Standard 




Model	Size (mm)	Dimensions(mm)			Weight (g)	Cutting capacity (φmm)	
		A	B	C		Steel wire	Copper wire
WA1000	160	19.0	11.0	17.0	190	2.0	2.6

WA1000F

Compound cutting nippers

Spring Loaded

Round type 



Model	Size (mm)	Dimensions(mm)			Weight (g)	Cutting capacity (φmm)	
		A	B	C		Plastics	
WA1000F	160	19.0	11.0	16.0	185	5.0	

WA1000Z

Compound cutting nippers <Carbide tipped>

Spring Loaded

Standard 



Model	Size (mm)	Dimensions(mm)			Weight (g)	Cutting capacity (φmm)	
		A	B	C		Piano wire	
WA1000Z	160	19.0	11.0	16.0	190	1.0	

XN200

Diagonal cutting nippers for electrical work

Standard 

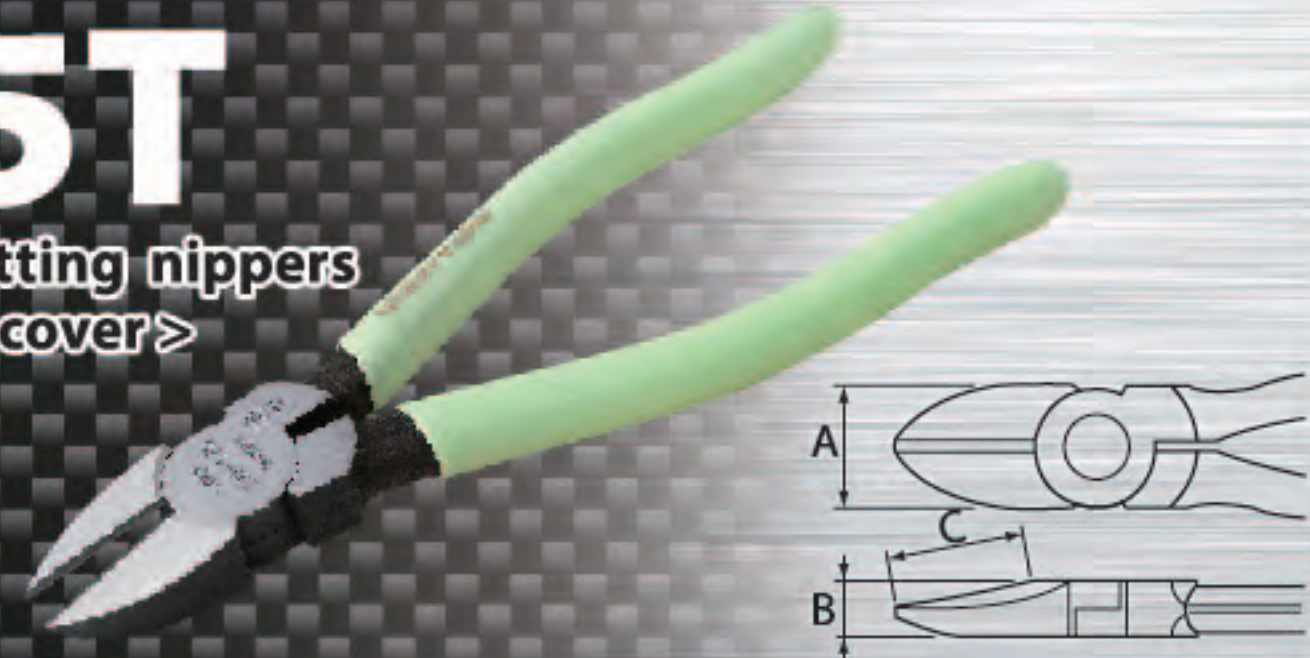


Model	Size (mm)	Dimensions(mm)			Weight (g)	Cutting capacity (φmm)	
		A	B	C		Steel wire	Copper wire
XN200	200	26.5	13.5	29.0	360	2.6	3.5

205T

Diagonal cutting nippers <Luminous cover>

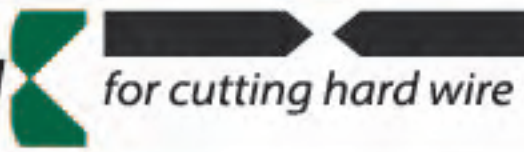
Standard 

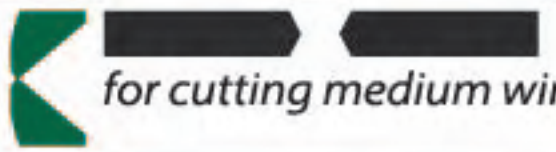



Model	Size (mm)	Dimensions(mm)			Weight (g)	Cutting capacity (φmm)	
		A	B	C		Steel wire	Copper wire
205T-150	150	22.0	12.5	22.5	210	2.0	2.6
205T-175	175	24.5	13.0	26.0	275	2.0	3.0
205T-200	200	26.5	14.0	29.0	360	2.6	3.5

STANDARD PLIERS AND NIPPERS

Blade shape

Standard  for cutting hard wire

Semi-flush  for cutting medium wire

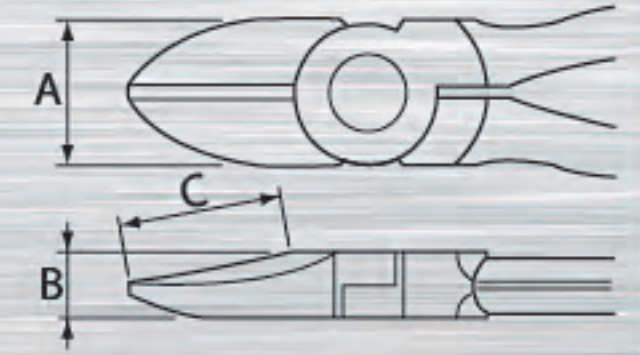
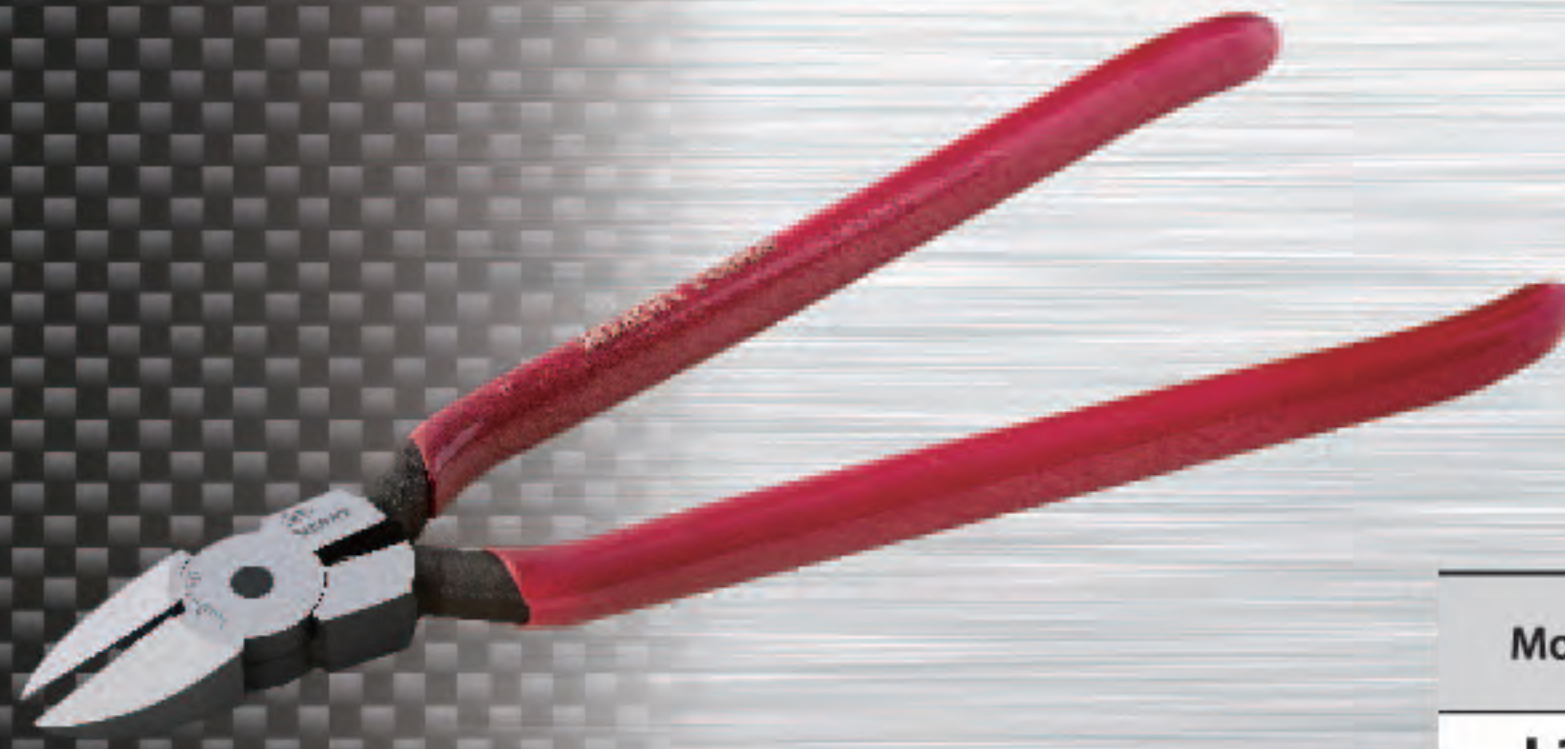
Full-flush  for cutting soft wire only or plastic, gate and sprue

L30

Long handle cutting nippers

Spring Loaded

Semi-flush 



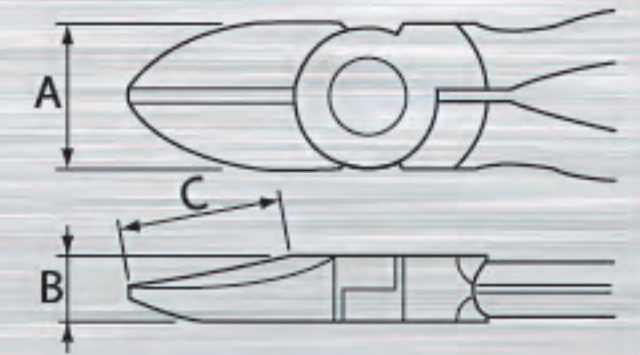
Model	Size (mm)	Dimensions(mm)			Weight (g)	Cutting capacity (φmm)	
		A	B	C		Steel wire	Copper wire
L30	190	17.0	9.0	19.0	165	1.2	2.0

L40

Long handle plastics cutting nippers

Spring Loaded

Flat type 

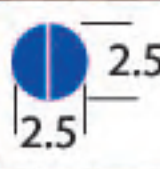


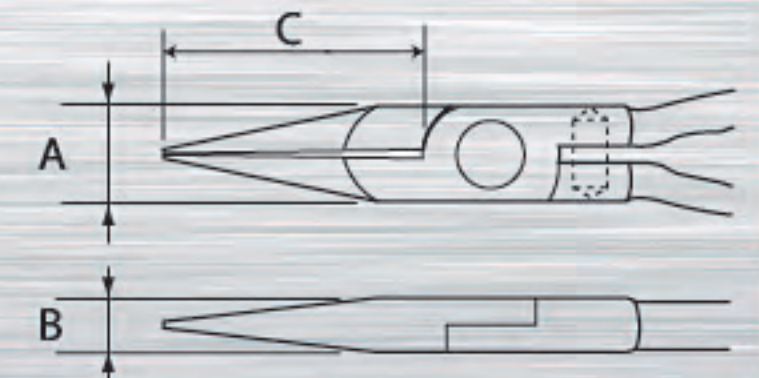
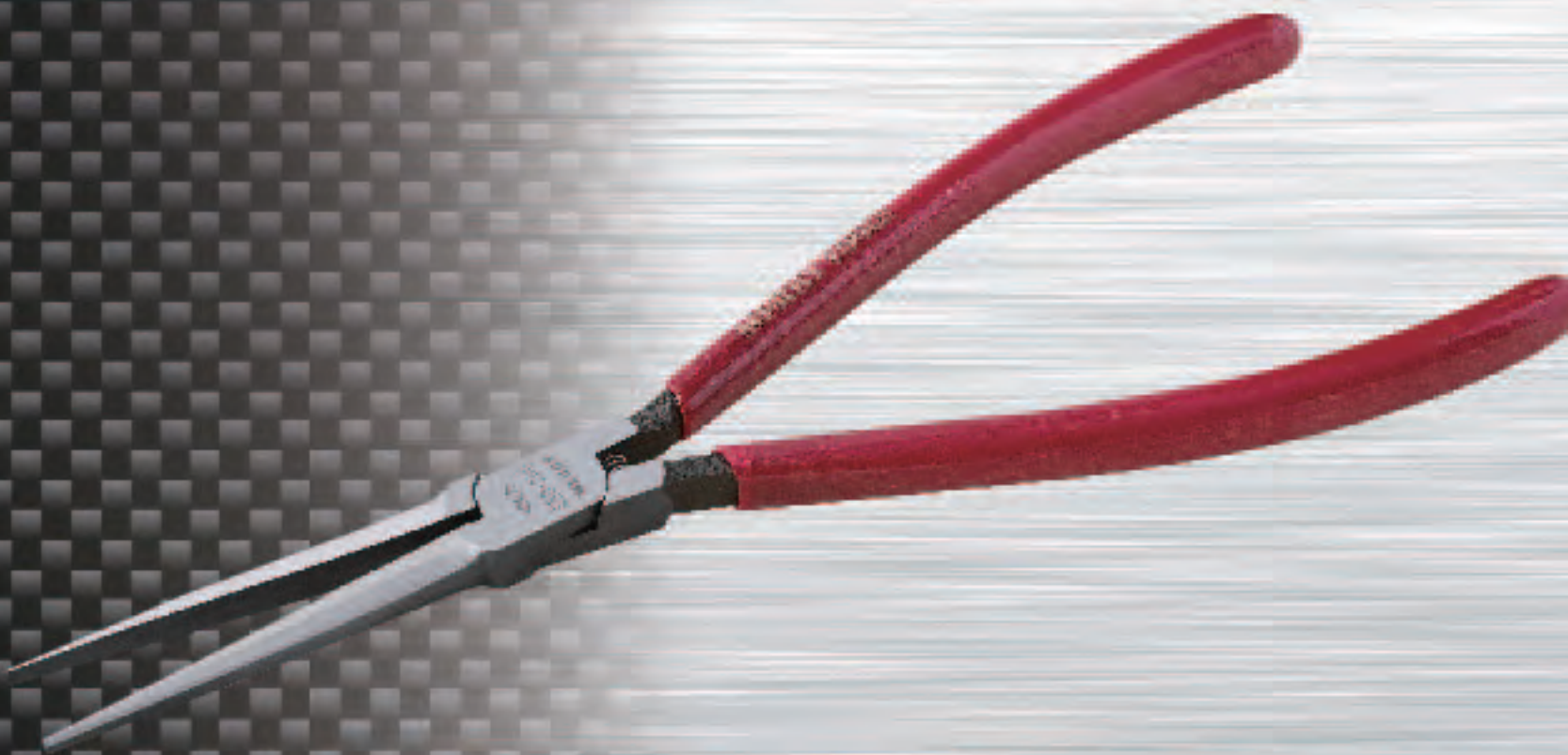
Model	Size (mm)	Dimensions(mm)			Weight (g)	Cutting capacity (φmm)
		A	B	C		Plastics
L40	190	17.0	9.0	19.0	175	5.0

L50

Long handle needle pliers

Spring Loaded

 2.5 / 2.5

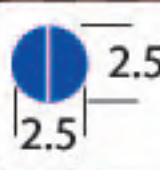


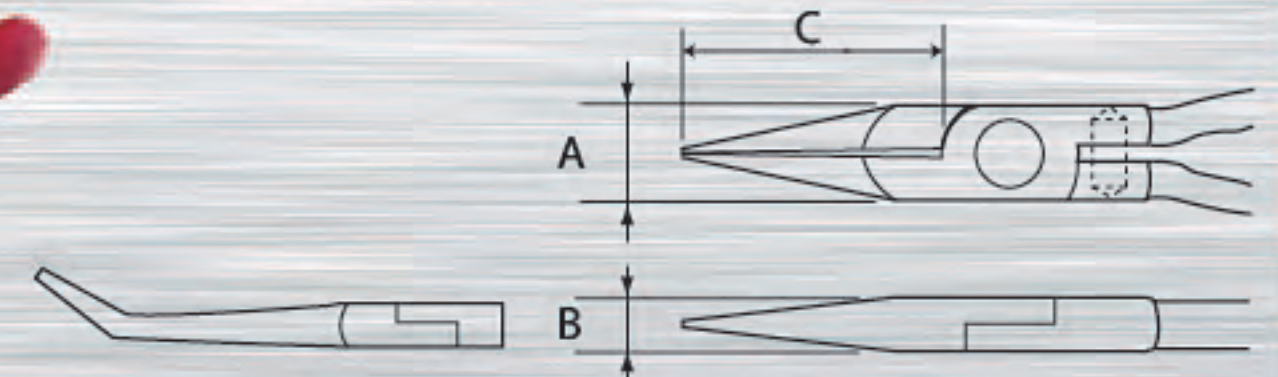
Model	Size (mm)	Dimensions(mm)			Weight (g)
		A	B	C	
L50	200	12.0	7.5	55.0	145

L60

Long handle bent nose pliers

Spring Loaded

 2.5 / 2.5

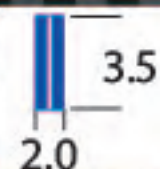


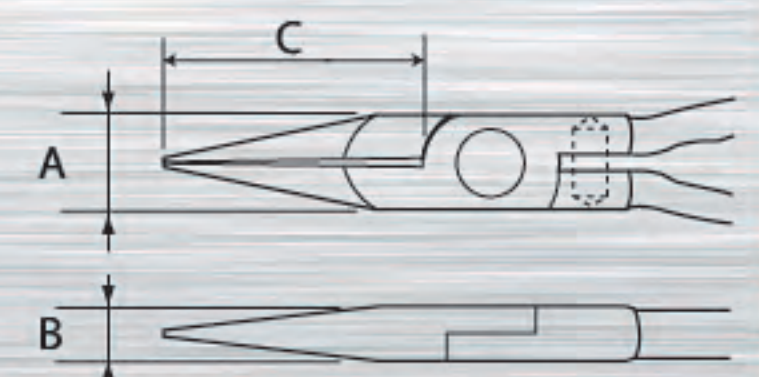
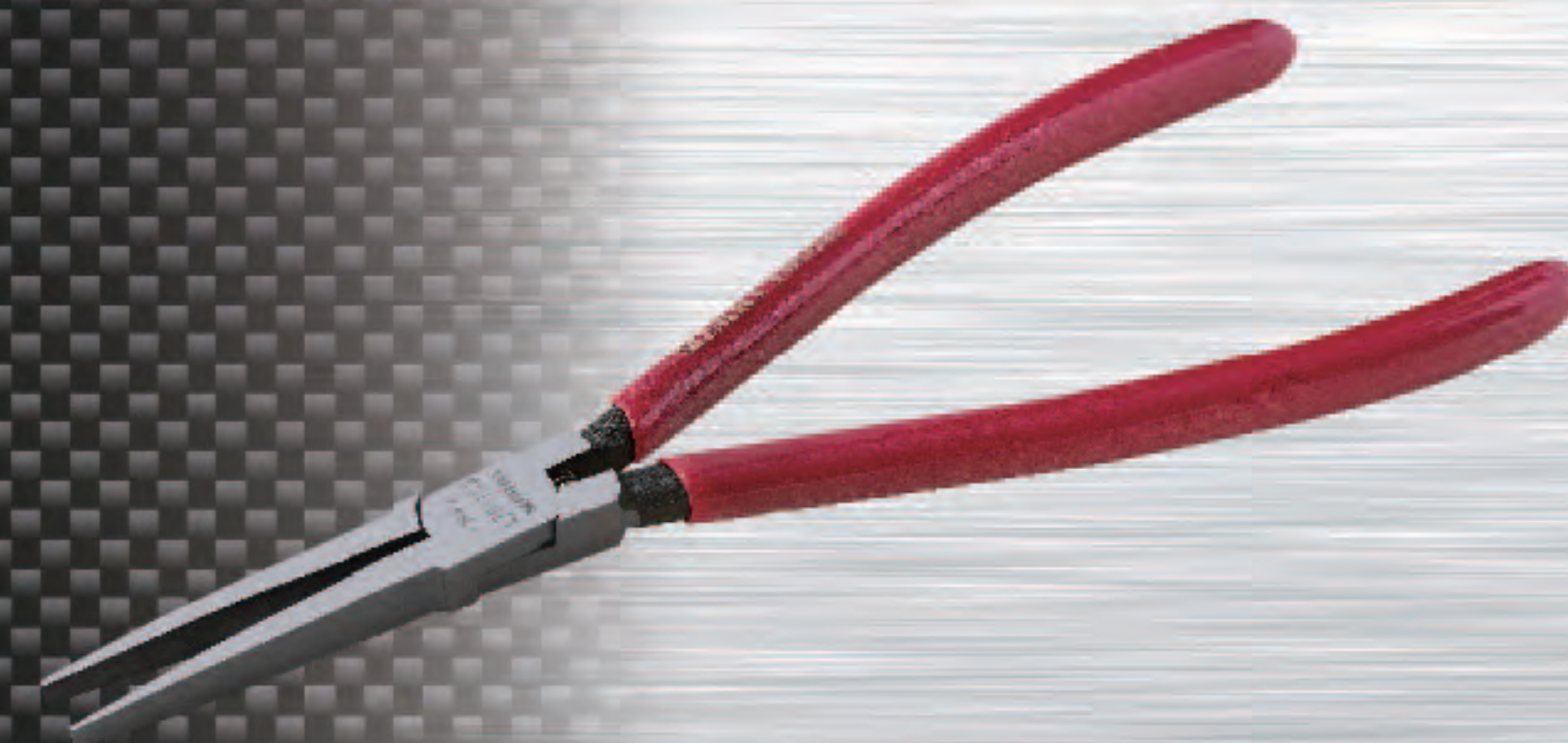
Model	Size (mm)	Dimensions(mm)			Weight (g)
		A	B	C	
L60	200	12.0	7.5	53.0	145

L70

Long handle flat nose pliers

Spring Loaded

 3.5 / 2.0



Model	Size (mm)	Dimensions(mm)			Weight (g)
		A	B	C	
L70	185	11.5	7.0	42.0	130

STANDARD PLIERS AND NIPPERS

Section of blade

Round type

Flat type

Angle type

Blade shape

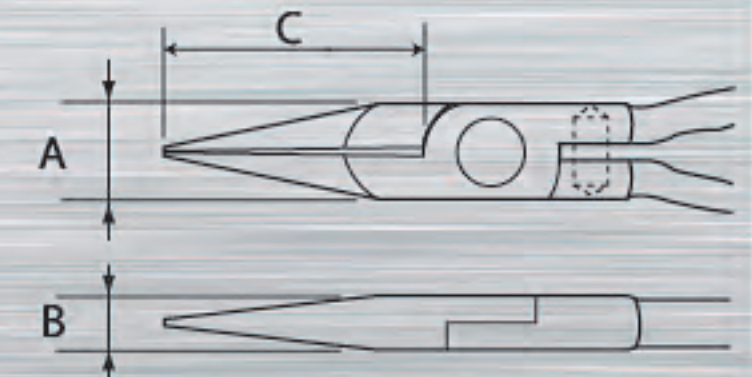
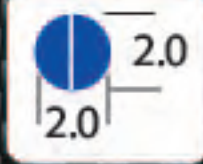
Semi-flush

for cutting medium wire

M10

Miniature long needle pliers

Spring Loaded

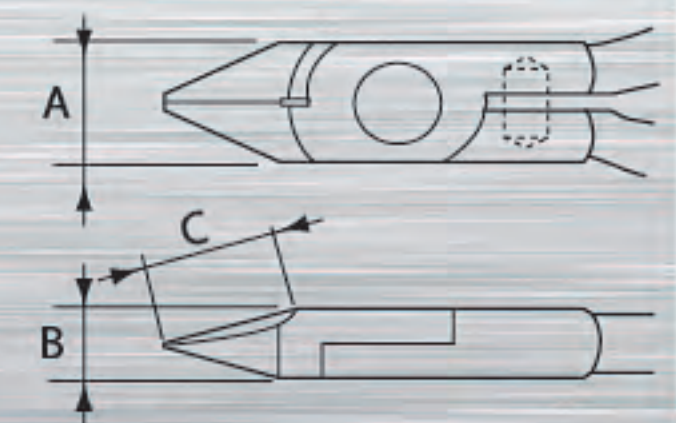


Model	Size (mm)	Dimensions (mm)			Weight (g)
		A	B	C	
M10	150	12.0	7.0	58.0	80

M11

Miniature plastic cutting nippers

Spring Loaded

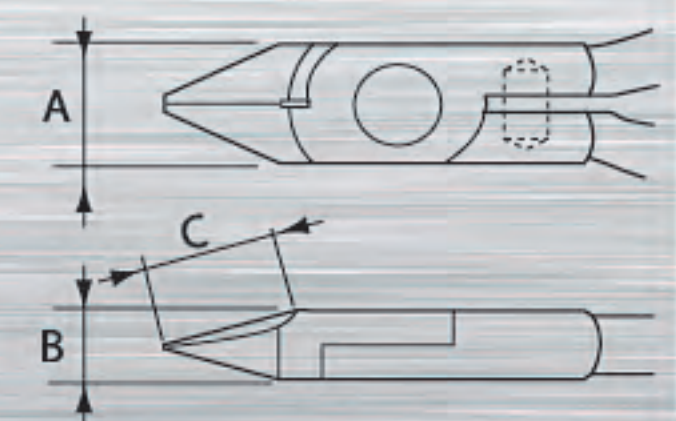


Model	Size (mm)	Dimensions (mm)			Weight (g)	Cutting capacity (φmm) Plastics
		A	B	C		
M11	125	14.0	8.0	15.0	85	3.0

M12

Miniature plastic cutting nippers

Spring Loaded

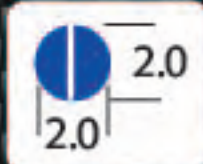


Model	Size (mm)	Dimensions (mm)			Weight (g)	Cutting capacity (φmm) Plastics
		A	B	C		
M12	125	12.5	8.5	12.0	85	3.0

M13

Miniature needle pliers

Spring Loaded



Serrated



Model	Size (mm)	Dimensions (mm)			Weight (g)
		A	B	C	
M13	140	12.0	7.0	47.0	75