



MERRY

**DUCT AND MOULD
CUTTERS
MERRY CUTTERS**



DUCT AND MOULD CUTTERS/ MERRY CUTTERS

SX5

< Slim type >

Designed for one-hand operation.
Suitable for soft materials.



Model	Overall length (mm)	Weight (g)	Blade length (mm)	Blade	Plastic plate
SX5	195	170	53	X5	PB-SX5-5P

SX7

< Ratchet type >



Cutting of cable protector



3-step ratchet mechanism

Model	Overall length (mm)	Weight (g)	Blade length (mm)	Blade	Plastic plate
SX7	230	245	65	X7	PB-SX7-5P

SX10

< Heavy-duty type >

Cutting nylon hose, rubber hose, soft cable wire,
plastic channel, leather belt, etc



AT-SX10

Cutting of plastic protector

Model	Overall length (mm)	Weight (g)	Blade length (mm)	Blade	Plastic plate
SX10	210	380	65	X10	PB-SX10-5P

DUCT AND MOULD CUTTERS/ MERRY CUTTERS

SX15

< Standard type >



AT-SX10

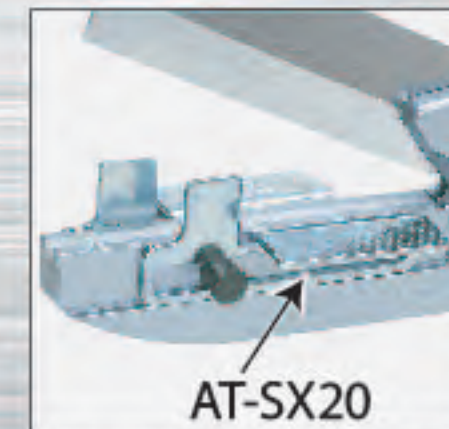
Possible to cut plastic surface protector at any desired angle with an optional attachment installed.

Plastic duct and duct cover

Model	Overall length (mm)	Weight (g)	Blade length (mm)	Blade	Plastic plate
SX15	210	395	65	X15	PB-SX15-5P

SX20

< Long blade type >



AT-SX20

An attachment is available, for right and 45° angle cutting. (Standard accessory)

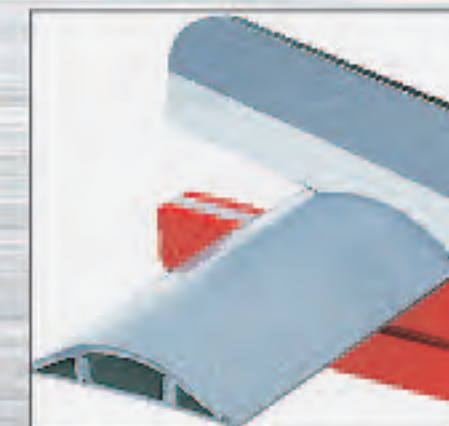


Cutting of nylon hoses

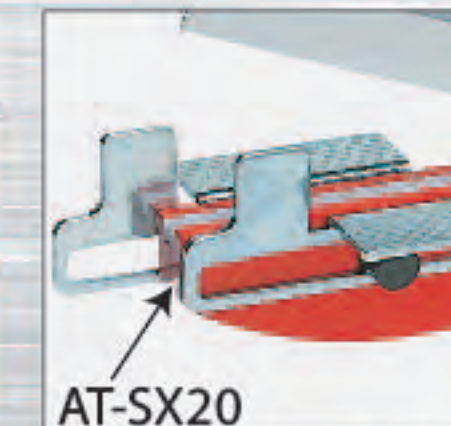
Model	Overall length (mm)	Weight (g)	Blade length (mm)	Blade	Plastic plate
SX20	285	685	110	X20	PB-SX20-5P

SX25

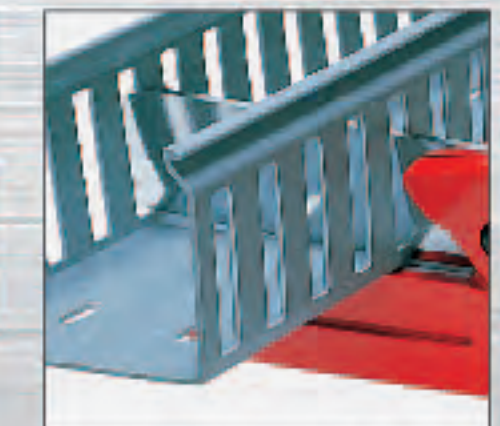
< Long blade type >



Cutting flat and wide cable protector.



An attachment is available, for right and 45° angle cutting. (standard accessory)



Cutting plastic duct of up to 80mm in width.

Model	Overall length (mm)	Weight (g)	Blade length (mm)	Blade	Plastic plate
SX25	285	685	110	X25	PB-SX25-5P

Examples of subjects for cutting



■ Protector



■ Nylon hose



■ Electric wire (Twisted wire)



■ Tree branch



■ Plastic cable protector