



nile air tools

# AIR HEAT NIPPERS





# AIR HEAT NIPPERS

Cutting blades are heated for easy cutting.

- Suitable for cutting fragile materials such as Acryl/Glass Resin, etc .
- Square body is easy to be set to stands or machinery.
- Indispensable for resin molding to material.
- Operate through solenoid valve or foot-valve(FB70S).
- Cutting speed can be adjusted through Air Regulator.

## MACHINE-FITTING TYPE

### AH Type Transformer TRF25

< 100V . 120V . 220V . 240V >



AH8 (Blade sold separately)

TRF25-100V (for AH5,AH8)



HEATER W-19

### AH type specification

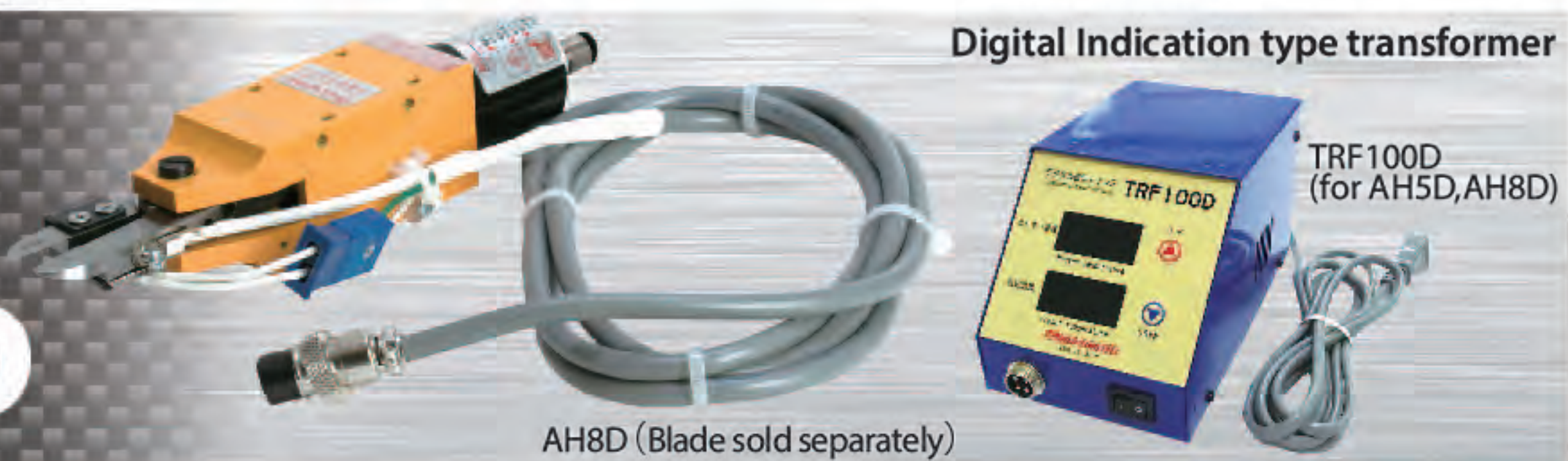
Model (less blade)	Weight (g)	Air consumption (cm <sup>3</sup> /stroke)	Cutting capacity (φmm)	Fitting size		Dimensions (mm)											
				Hose coupling	Body Internal thread	A	B	C	D	E	F	G	H	J	K	L	M
AH5	210	64	3.0	G1/8	Outer diameter φ6	76	32	30	14	19	26	34	31	M3D7	21	7	7
AH8	290	116	4.0	G1/8	Outer diameter φ6	94	36	30	18	23	28	36	35	M4D6.5	23	9	8

Model	Input (V)	Output (V)	CAP (VA)	Frequency (Hz)	Weight (g)	Width (mm)	Depth (mm)	Height (mm)	Length of cord (m)
TRF25	AC100	AC25	30	50/60	1,700	80	130	80	1.5

## MACHINE-FITTING TYPE

### AH-D Type Transformer TRF100D



AH8D (Blade sold separately)

Digital Indication type transformer

TRF100D  
(for AH5D,AH8D)



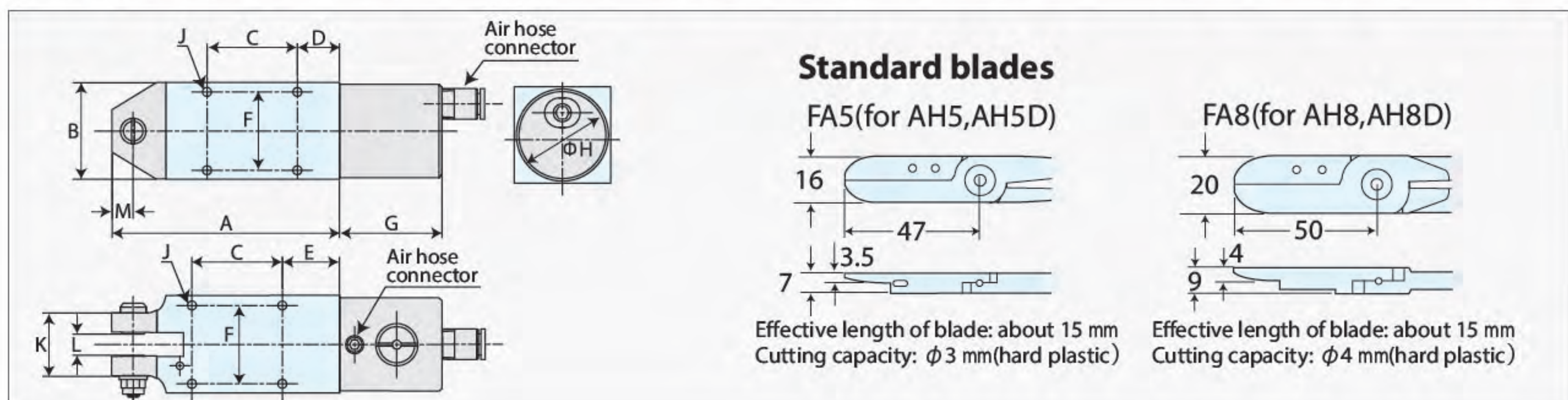
HEATER W-19

### AH-D type specification

Model (less blade)	Weight (g)	Air consumption (cm <sup>3</sup> /stroke)	Cutting capacity (φmm)	Fitting size		Dimensions (mm)											
				Hose coupling	Body Internal thread	A	B	C	D	E	F	G	H	J	K	L	M
AH5D	210	64	3.0	G1/8	Outer diameter φ6	76	32	30	14	19	26	34	31	M3D7	21	7	7
AH8D	290	116	4.0	G1/8	Outer diameter φ6	94	36	30	18	23	28	36	35	M4D6.5	23	9	8

Model	Input (V)	Output (V)	CAP (VA)	Frequency (Hz)	Weight (g)	Width (mm)	Depth (mm)	Height (mm)	Length of cord (m)
TRF100D	AC100	AC26	32	50/60	2,000	100	170	105	1.9





# AIR HEAT NIPPERS

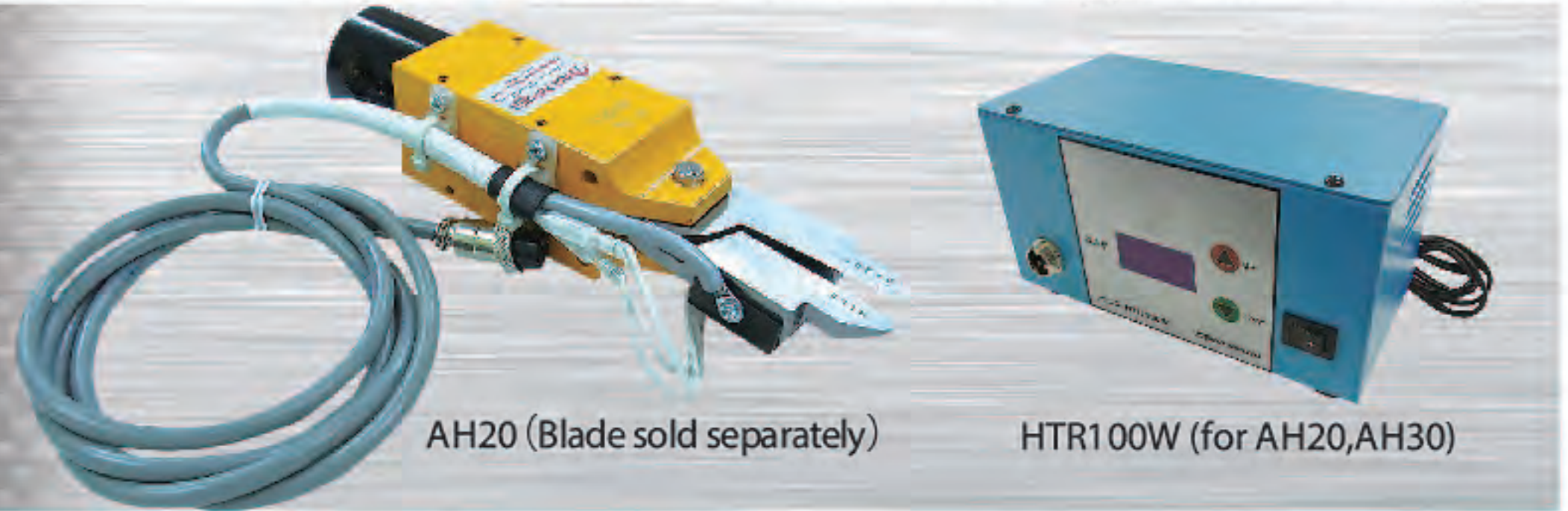
- Double-heater can set temperature in wide range between 70~200°C to fit each resin gate at the most suitable temperature.
- 3 models of replaceable blades are available to suite various kinds of gate cutting jobs.

## MACHINE-FITTING TYPE

# AH Type Transformer HTR100W

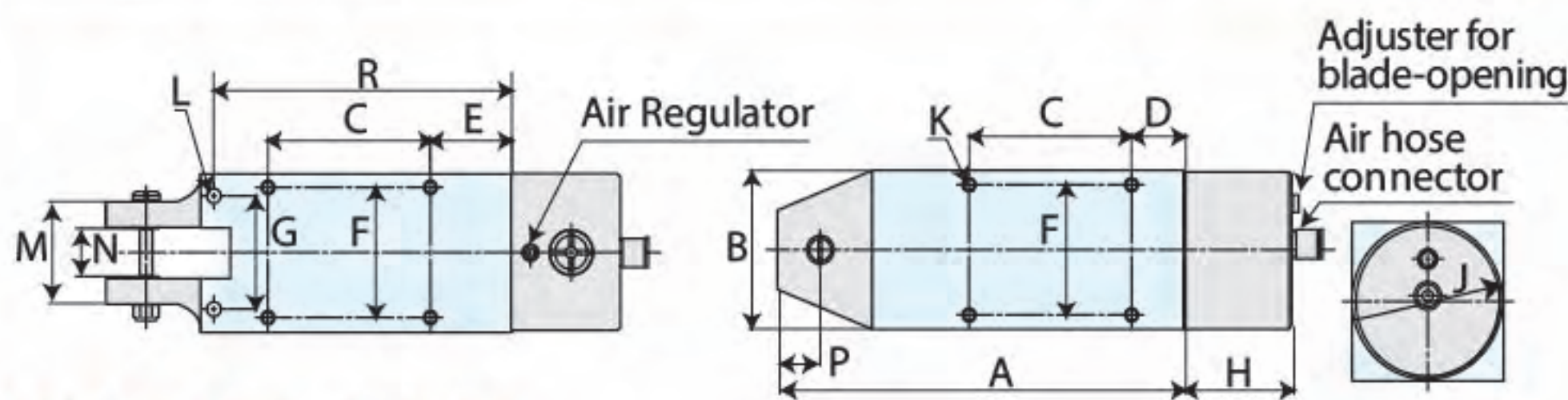
### Digital Indication type transformer

The digital indication type transformer (HTR100W) must be used with these Double-heater type Air Heat-Nippers.



AH20 (Blade sold separately)

HTR100W (for AH20,AH30)



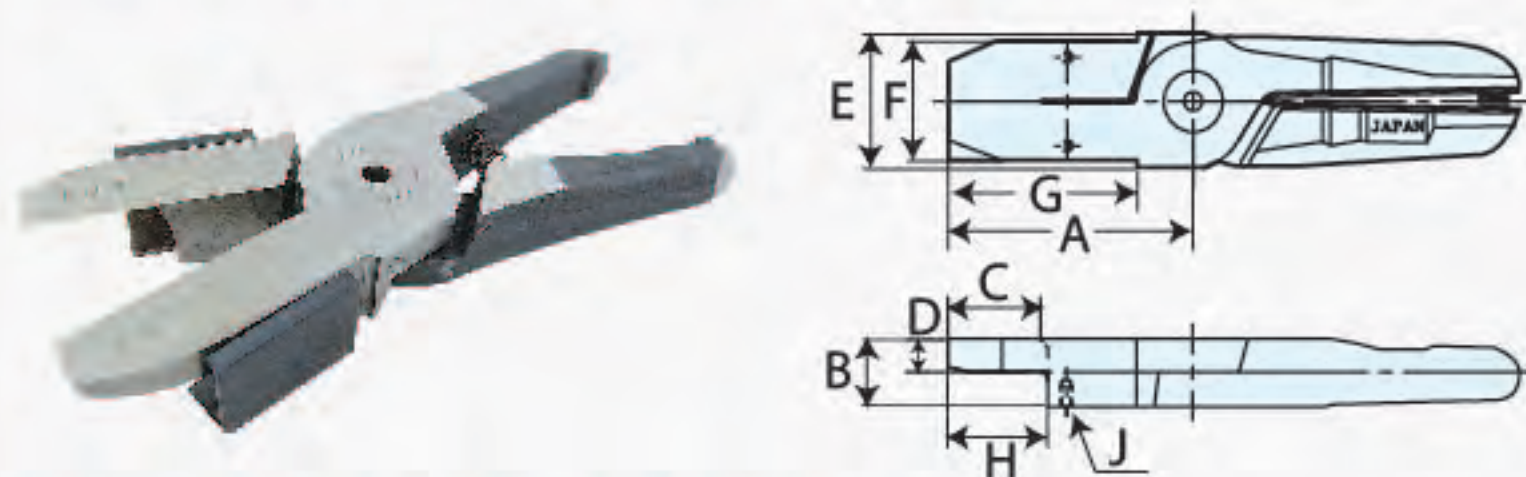
### AH type specification

Model (less blade)	Weight (g)	Width (mm)	Height (mm)	Depth (mm)	Air pressure (MPa)	Fitting size		Air consumption (cm <sup>3</sup> /stroke)	Cutting capacity (φmm)
						Hose coupling	Body internal thread		
AH20	505	45	45	149	0.6	G1/8	Outer diameter φ6	262	6.0
AH30	930	56	56	190	0.6	G1/8	Outer diameter φ6	621	7.0

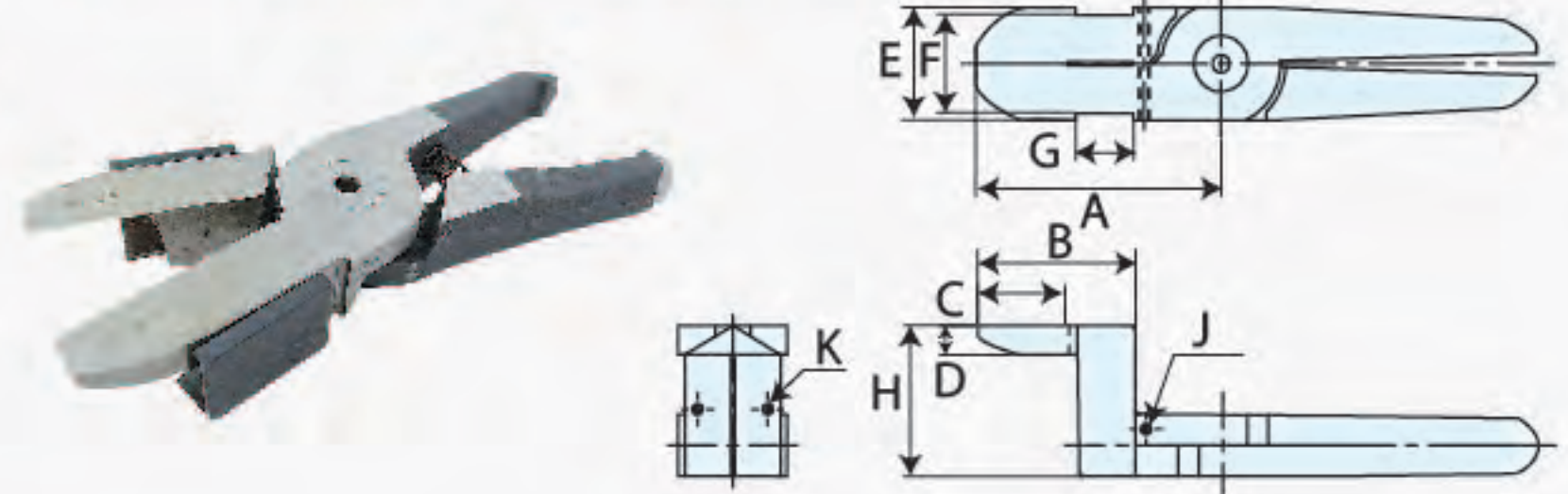
Model (less blade)	Dimensions (mm)														
	A	B	C	D	E	F	G	H	J	K	L	M	N	P	R
AH20	109	45	40	19	24	36	30	40	44	M4D8	5.3	26	12	9	81
AH30	150	56	60	20	30	46	40	40	55	M5D11	5.3	36	17	15	110

Model	Input (V)	Max output (W)	Rated frequency (Hz)	Length of cord (m)	Temperature setting range(°C)	Weight (g)	Width (mm)	Depth (mm)	Height (mm)
HTR100W	AC100	64	50/60	1.85	70~200	1,200	180	96	101

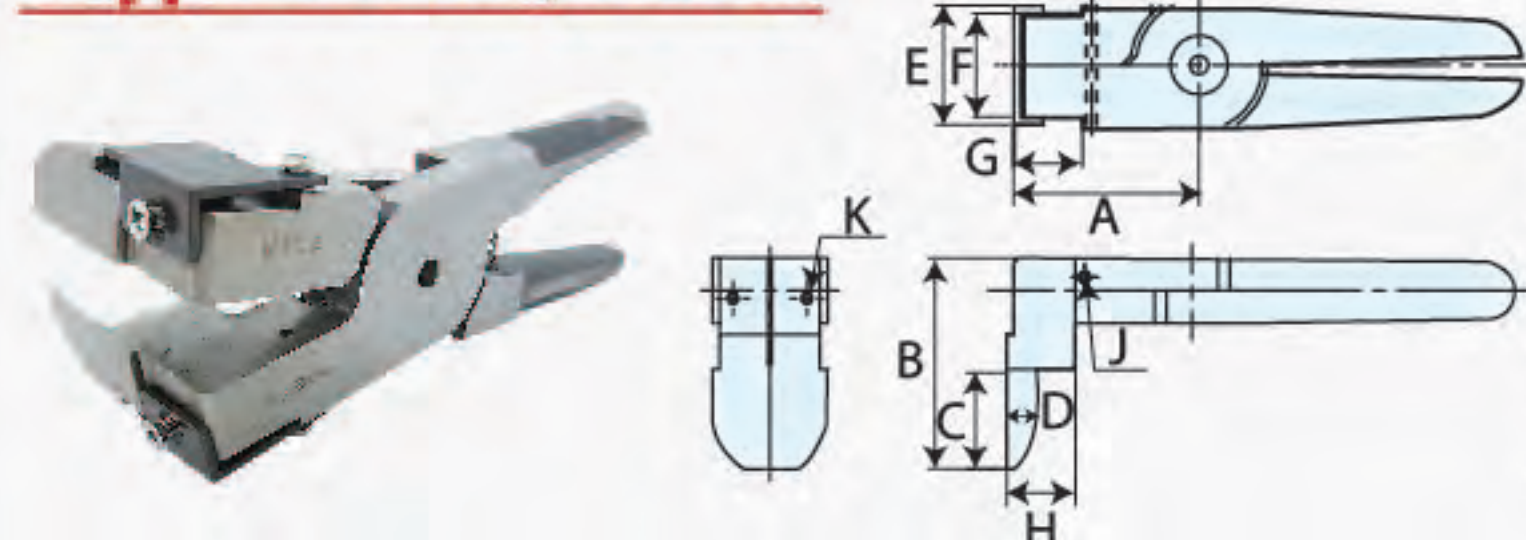
### Straight type FA20S, FA30S



### Crank type FA20C, FA30C



### L type FA20L, FA30L



Model	Blade	A	B	C	D	E	F	G	H	J	K
AH20	FA20S (Straight type)	70	12	20	6	36	23	22	22	M3D5	-
AH30	FA30S (Straight type)	66	17	25	8.5	35	31	51	27	M3D5	-
AH20	FA20L (L type)	36	49	20	5	23	19	18.5	18	M3D6	M3D8
AH30	FA30L (L type)	50	55	25	8	31	27	18.5	18.5	M3	M3D8
AH20	FA20C (Crank type)	55	37	20	5	23	19	16.5	30	M3D6	M3D8
AH30	FA30C (Crank type)	70	45	25	8	31	27	16.5	41.5	M3	M3D8