

MUROMOTO
"MERRY" BRAND
HAND TOOLS



MERRY

SIDE CUTTING PLIERS

NIPPERS

NIPPERS FOR PIANO WIRE

LONG NOSE SIDE CUTTING PLIERS & PLIERS

NIPPERS FOR CUTTING PLASTICS

NIPPERS FOR CUTTING PLASTICS

END CUTTING AND R-CUT NIPPERS FOR CUTTING PLASTICS

NIPPERS FOR CUTTING PLASTICS

HEAT NIPPERS FOR CUTTING PLASTICS

STANDARD PLIERS AND NIPPERS

CLIP PLIERS / SNAP RING PLIERS

PLASTIC PIPE CUTTERS

DUCT AND MOULD CUTTERS / MERRY CUTTERS

STRIPPERS

ARTISAN PLASTIC NIPPERS

ADDITIONAL HAND TOOLS



MERRY

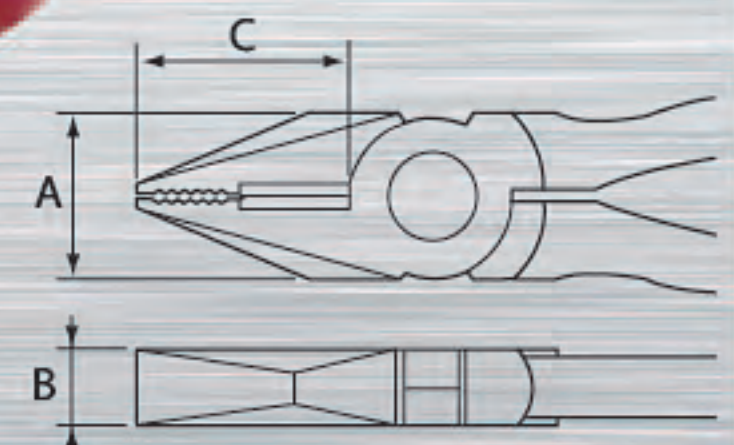
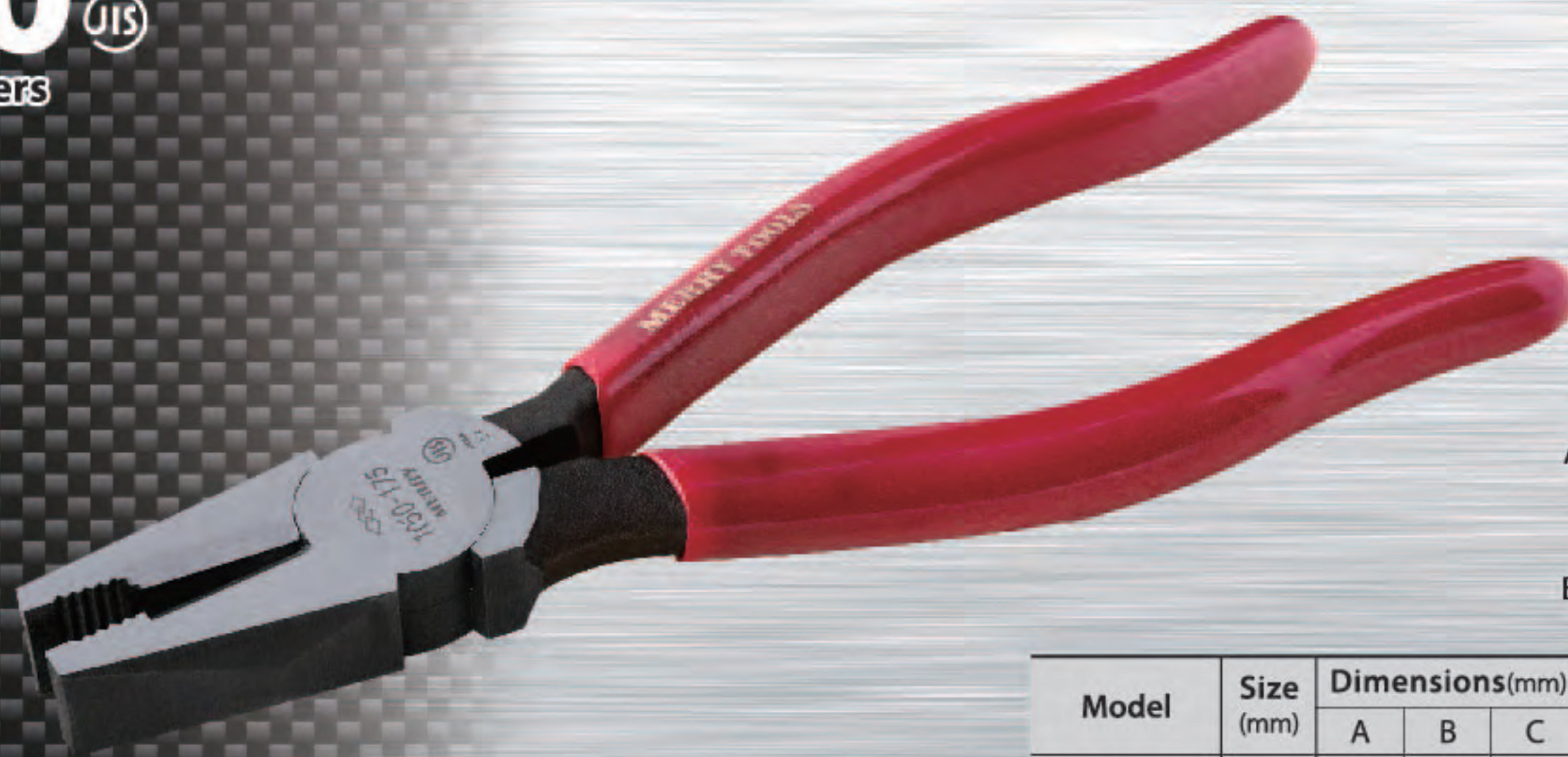
SIDE CUTTING PLIERS



SIDE CUTTING PLIERS

1050[®] JIS

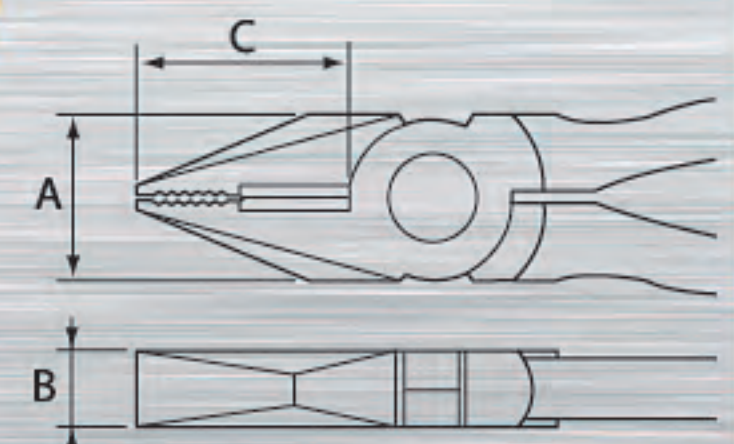
Side cutting pliers



Model	Size (mm)	Dimensions (mm)			Weight (g)	Cutting capacity (φmm)	
		A	B	C		Steel wire	Copper wire
JIS 1050-150	150	22.0	12.5	26.0	215	2.0	3.0
JIS 1050-175	175	23.5	13.5	30.5	300	2.6	3.5
JIS 1050-200	200	26.5	14.5	32.0	395	3.2	4.0

1050H[®] JIS

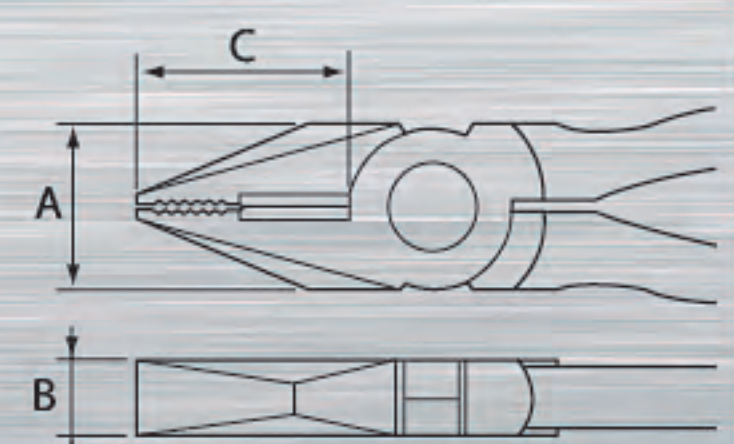
Side cutting pliers



Model	Size (mm)	Dimensions (mm)			Weight (g)	Cutting capacity (φmm)	
		A	B	C		Steel wire	Copper wire
JIS 1050H-150	150	22.0	12.5	26.0	225	2.0	3.0
JIS 1050H-175	175	23.5	13.5	30.5	310	2.6	3.5
JIS 1050H-200	200	26.5	14.5	32.0	410	3.2	4.0

2050

High leverage side cutting pliers

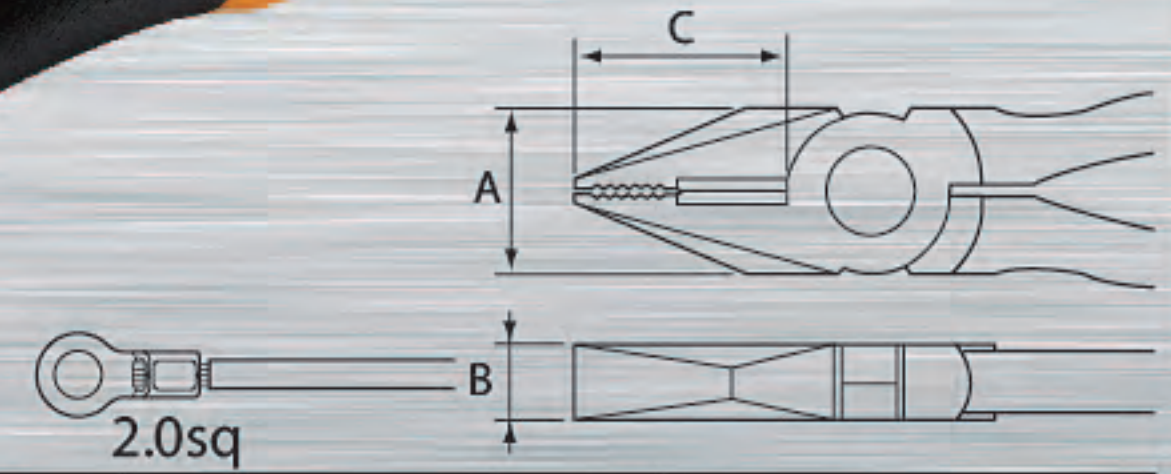


Model	Size (mm)	Dimensions (mm)			Weight (g)	Cutting capacity (φmm)	
		A	B	C		Steel wire	Copper wire
2050-185	185	25.5	13.5	33.0	310	3.2	4.0
2050-225	225	27.0	14.5	35.0	415	3.6	4.5

SIDE CUTTING PLIERS

2060 2060N

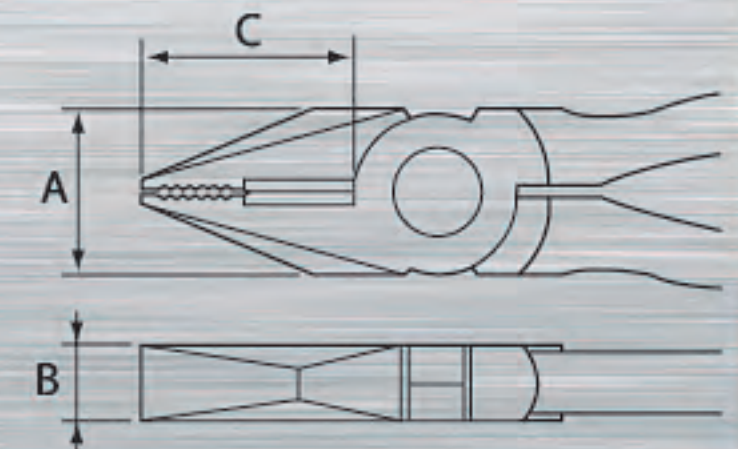
High leverage
side cutting pliers
<with crimping die>



Model	Size (mm)	Dimensions(mm)			Weight (g)	Cutting capacity (φmm)	
		A	B	C		Steel wire	Copper wire
2060	200	25.5	13.5	37.0	330	3.2	4.0
2060N	200	25.5	13.5	37.0	335	3.2	4.0

2060U

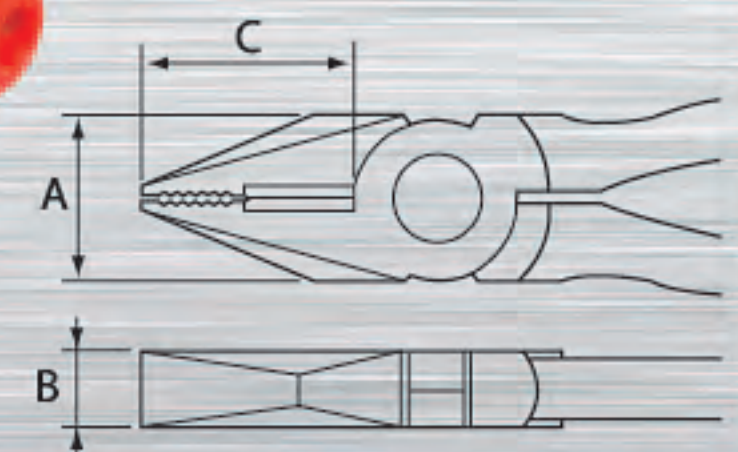
VA cutting pliers
<with crimping die>



Model	Size (mm)	Dimensions(mm)			Weight (g)	Cutting capacity (φmm)	
		A	B	C		Copper wire	VVF wire
2060U	200	25.5	13.5	37.0	290	4.0	φ2.0×3.0

2080 2080N

Slim type side cutting pliers

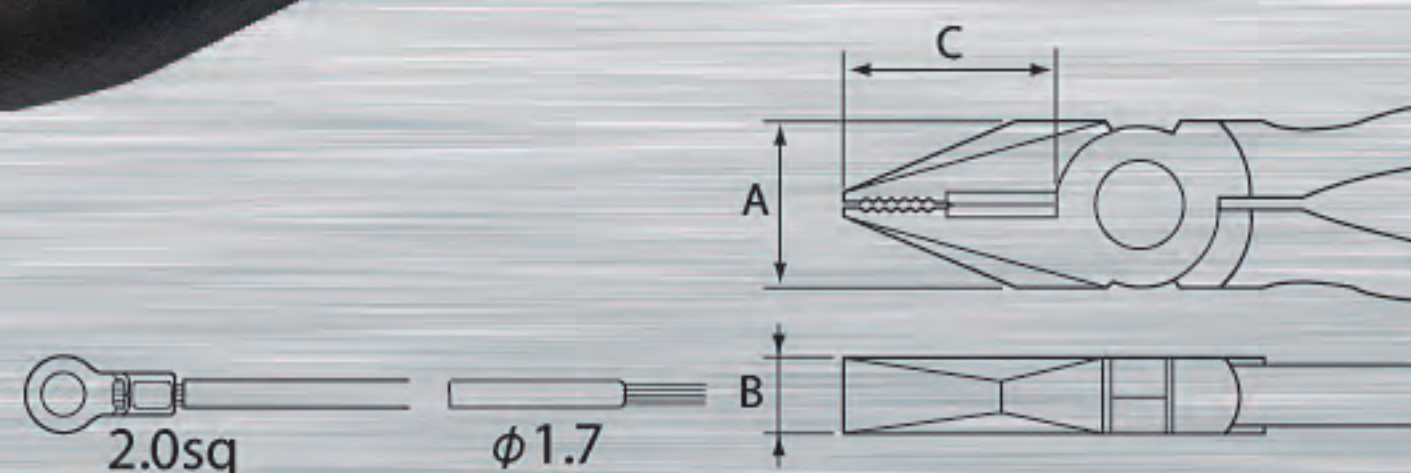


Model	Size (mm)	Dimensions(mm)			Weight (g)	Cutting capacity (φmm)	
		A	B	C		Steel wire	Copper wire
2080-185	185	20.0	12.0	33.0	245	3.2	4.0
2080-210	210	23.0	12.5	37.0	330	3.6	4.5
2080N-185	185	20.0	12.0	33.0	245	3.2	4.0
2080N-210	210	23.0	12.5	37.0	330	3.6	4.5

SIDE CUTTING PLIERS

6050

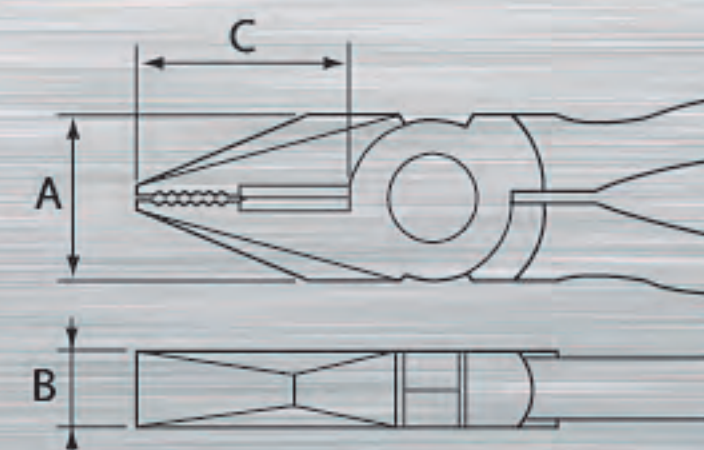
Side cutting pliers
 <with crimping die>



Model	Size (mm)	Dimensions(mm)			Weight (g)	Cutting capacity (φmm)	
		A	B	C		Steel wire	Copper wire
6050	185	24.0	14.0	33.0	315	2.6	3.5

XP200

Side cutting pliers
 for electrical work



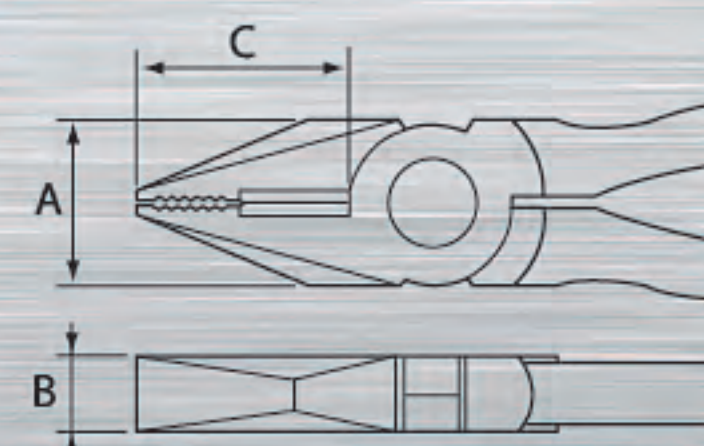
Model	Size (mm)	Dimensions(mm)			Weight (g)	Cutting capacity (φmm)	
		A	B	C		Steel wire	Copper wire
XP200	200	27.5	13.5	33.0	380	3.6	4.5

8050

Center cutting pliers



8050-185



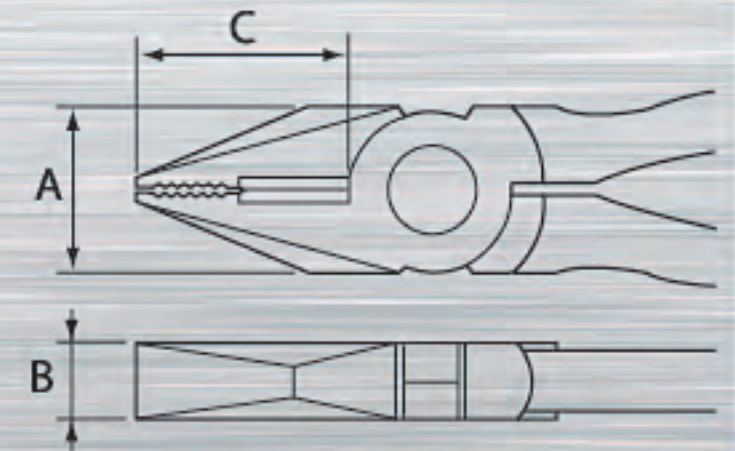
8050-210

Model	Size (mm)	Dimensions(mm)			Weight (g)	Cutting capacity (φmm)		
		A	B	C		Steel wire	Copper wire	VVF
8050-185	185	23.5	11.5	30.0	235	3.2	4.0	1.6×3
8050-210	210	24.5	13.5	36.0	300	3.6	4.5	2.0×3

SIDE CUTTING PLIERS

2070

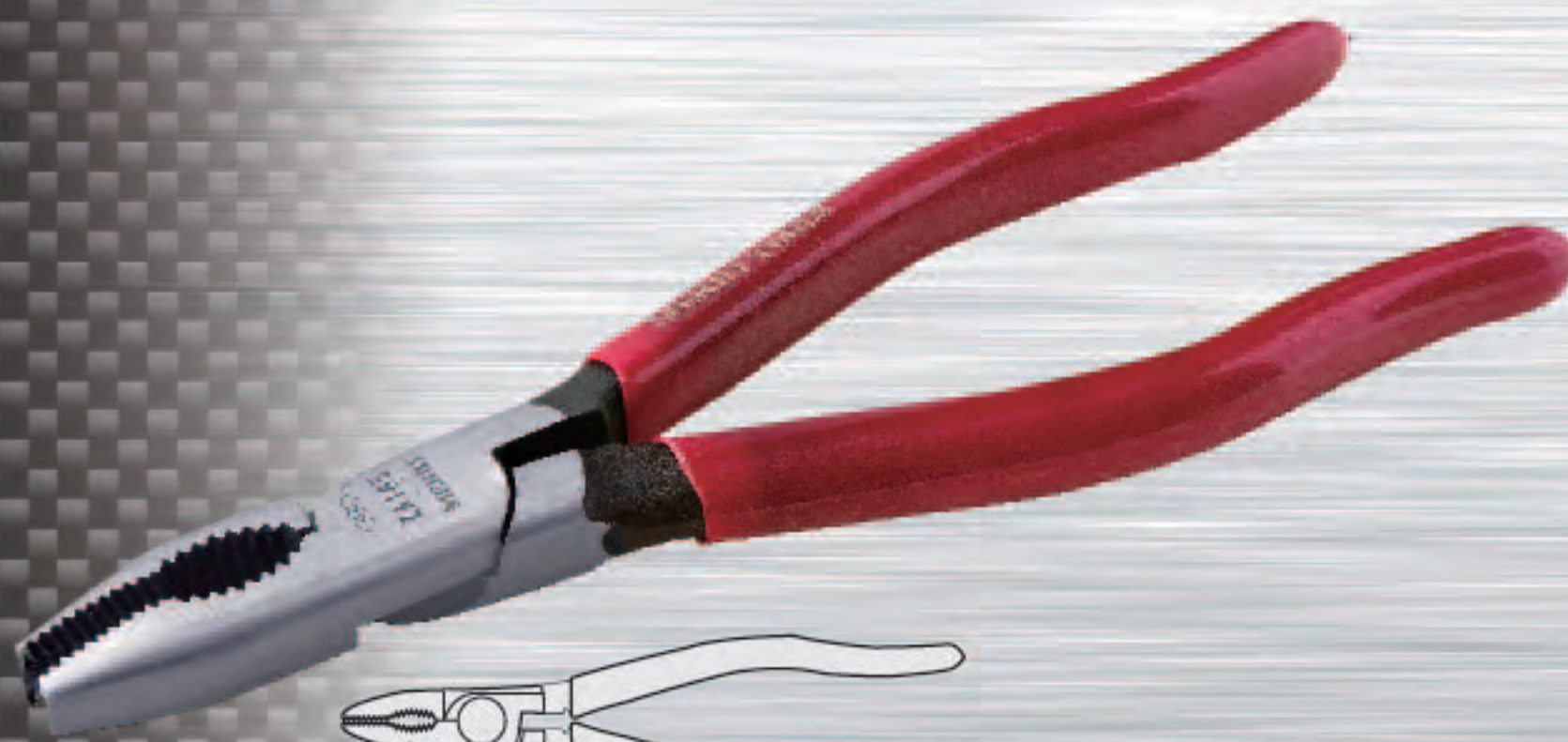
High leverage
side cutting pliers



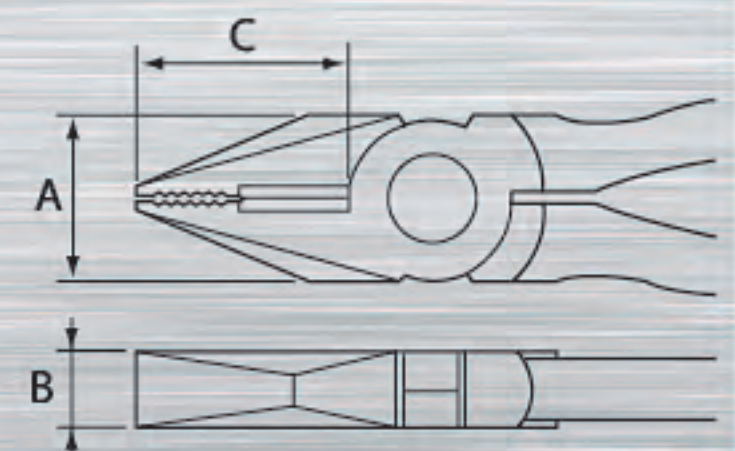
Model	Size (mm)	Dimensions(mm)			Weight (g)	Cutting capacity (φmm)	
		A	B	C		Steel wire	Copper wire
2070	225	27.0	12.4	38.5	360	4.0	5.0

ZA185

Screw pliers



(The Body) M5~M8 (diameter of the head is less than φ14)
(The Tip) M2~M6 (diameter of the head is less than φ10)



Model	Size (mm)	Dimensions(mm)			Weight (g)	Screw size
		A	B	C		
ZA185	185	21.0	13.0	31.0	280	Tip screw : M2~M6 Body screw : M5~M8

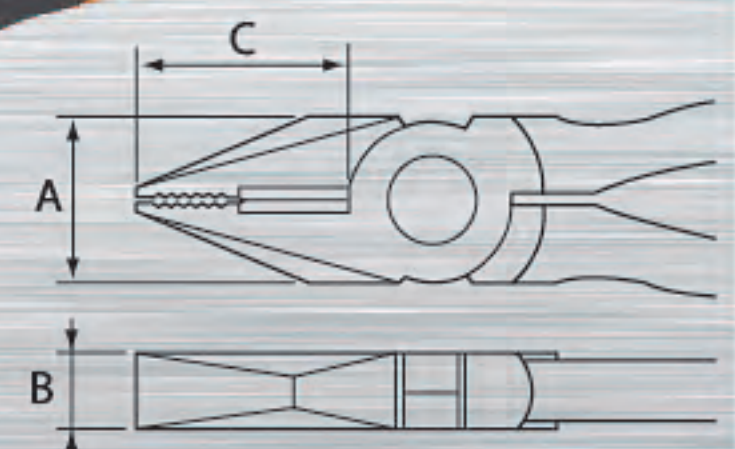
ZA7050

Screw pliers

These revolutionary pliers combine the functions of ZA185 (Screw Pliers) and 7050-14 (Side cutting pliers<with Screw pliers>).

The tip can firmly grip crushed or rusted screws.

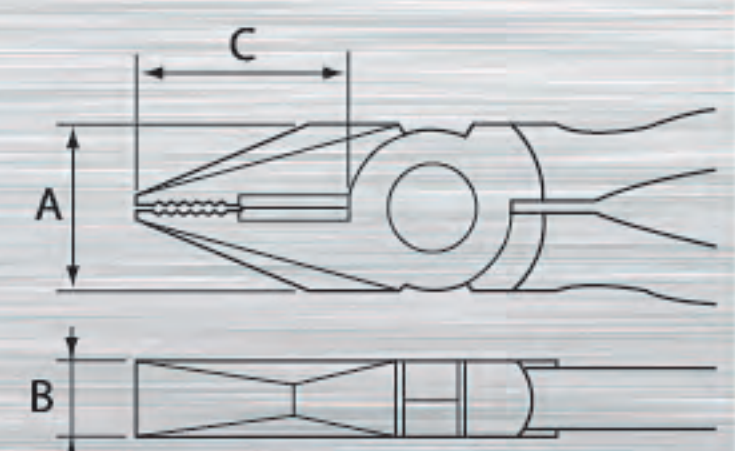
It can modify the threaded rod of W3/8 inch cuttings. Cutting of iron and copper wires is also acceptable.



Model	Size (mm)	Dimensions(mm)			Weight (g)	Cutting capacity (φmm)	
		A	B	C		Steel wire	Copper wire
ZA7050	200	26.5	14.5	32.0	375	3.2	4.0

MG7050

Pliers with magnet



Model	Size (mm)	Dimensions(mm)			Weight (g)	Cutting capacity (φmm)	
		A	B	C		Steel wire	Copper wire
MG7050-7	175	24.0	14.0	31.0	295	2.6	3.5
MG7050-8	200	26.0	15.0	32.5	400	3.2	4.0



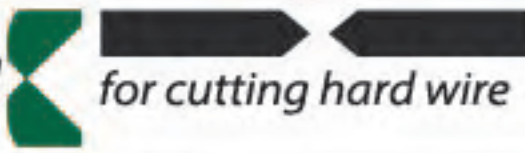
MERRY

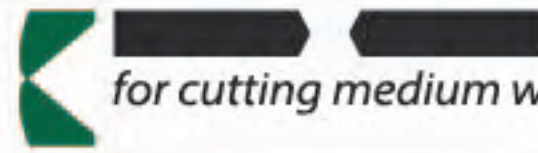
NIPPERS

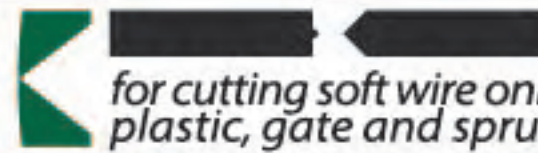


NIPPERS

Blade shape

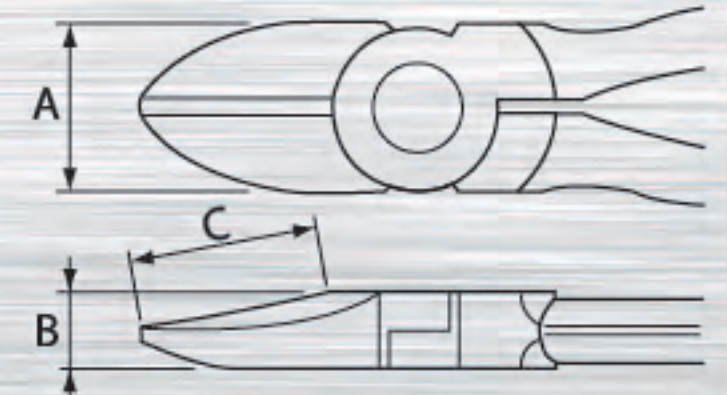
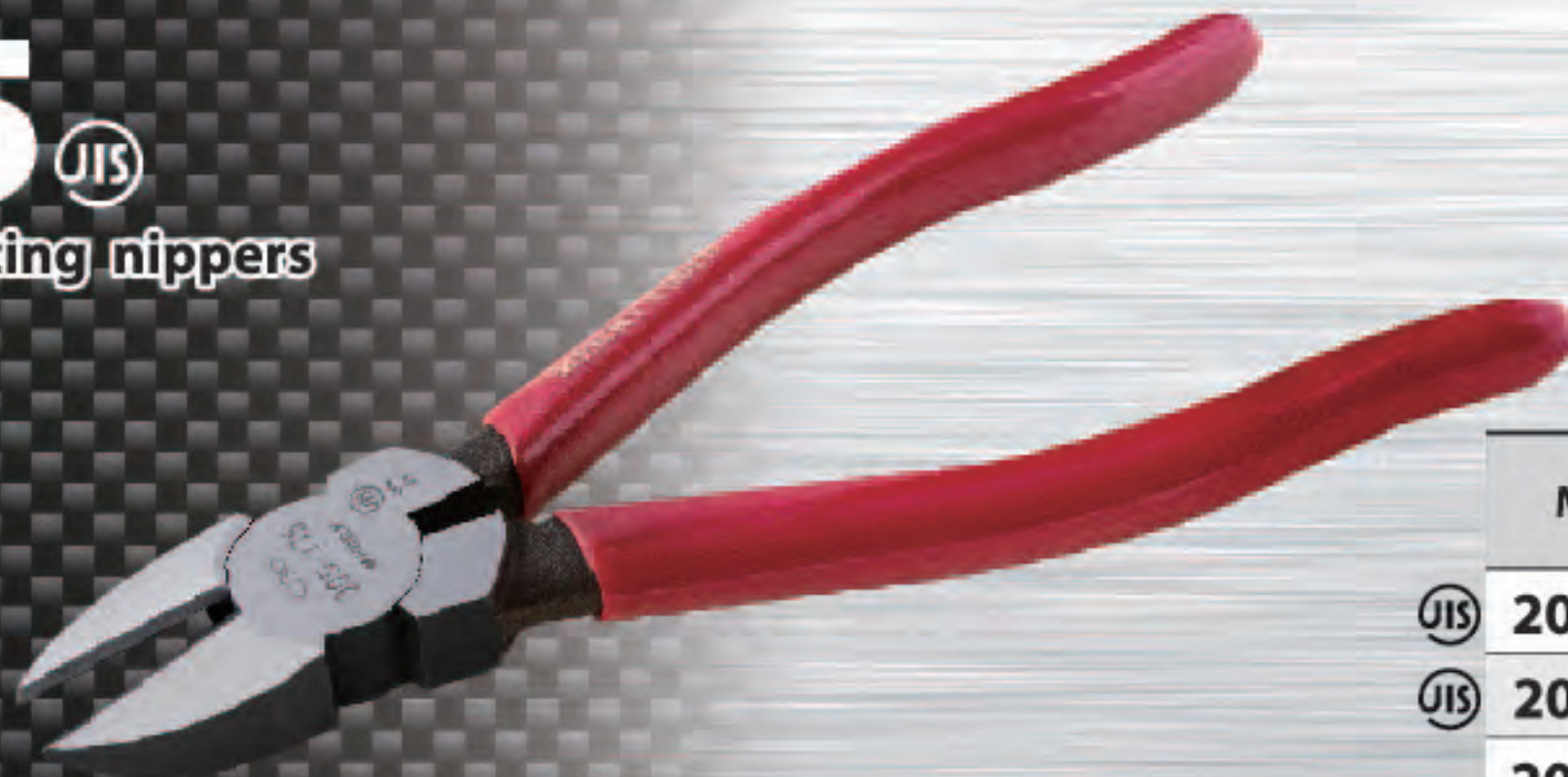
Standard  for cutting hard wire

Semi-flush  for cutting medium wire

Full-flush  for cutting soft wire only or plastic, gate and sprue

205 ^{JIS} Diagonal cutting nippers

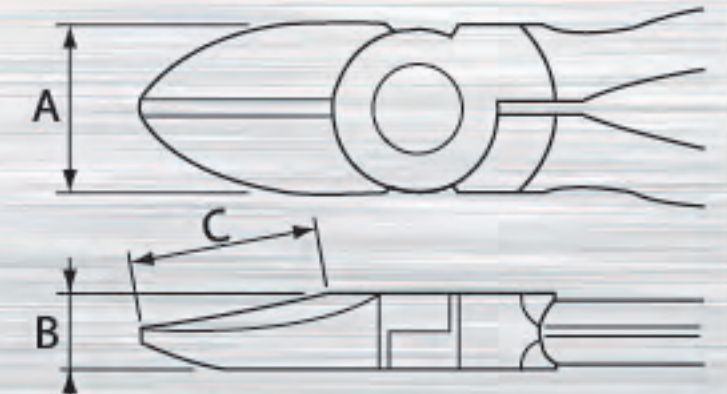
Standard 



Model	Size (mm)	Dimensions(mm)			Weight (g)	Cutting capacity (φmm)	
		A	B	C		Steel wire	Copper wire
^{JIS} 205-150	150	22.0	12.5	22.5	210	2.0	2.6
^{JIS} 205-175	175	24.5	13.0	26.0	275	2.0	3.0
205-200	200	26.5	14.0	29.0	360	2.6	3.5

205H ^{JIS} Diagonal cutting nippers

Standard 

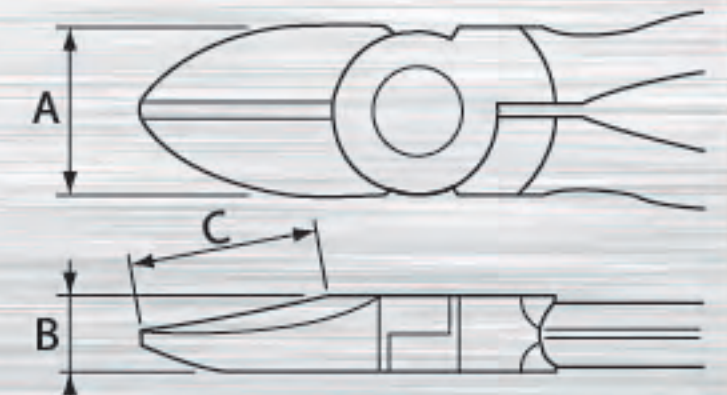
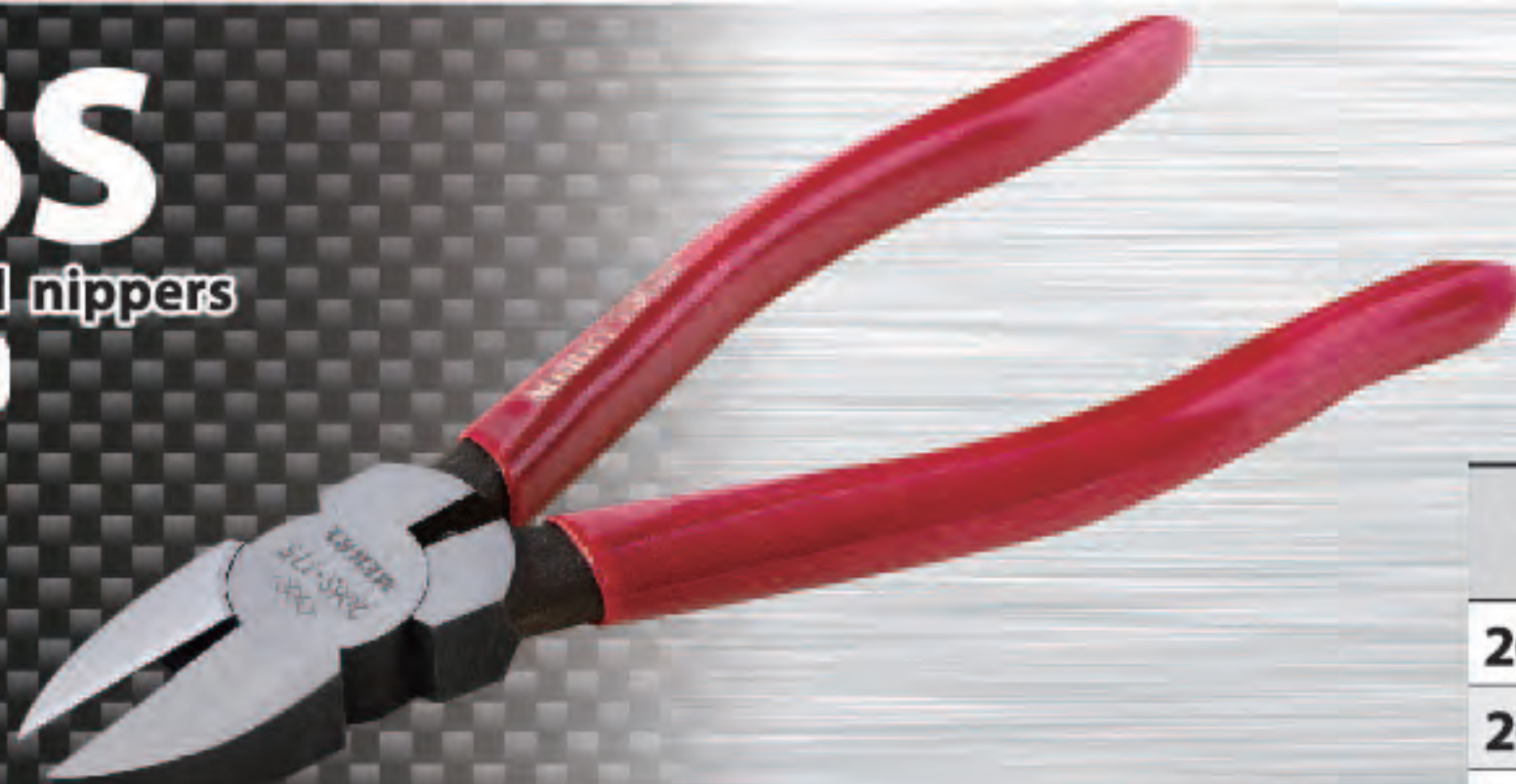


Model	Size (mm)	Dimensions(mm)			Weight (g)	Cutting capacity (φmm)	
		A	B	C		Steel wire	Copper wire
^{JIS} 205H-150	150	22.0	12.5	22.5	225	2.0	2.6
^{JIS} 205H-175	175	24.5	13.0	26.0	285	2.0	3.0
205H-200	200	26.5	14.0	29.0	360	2.6	3.5

206S Flush diagonal nippers

Spring Loaded

Full-flush 

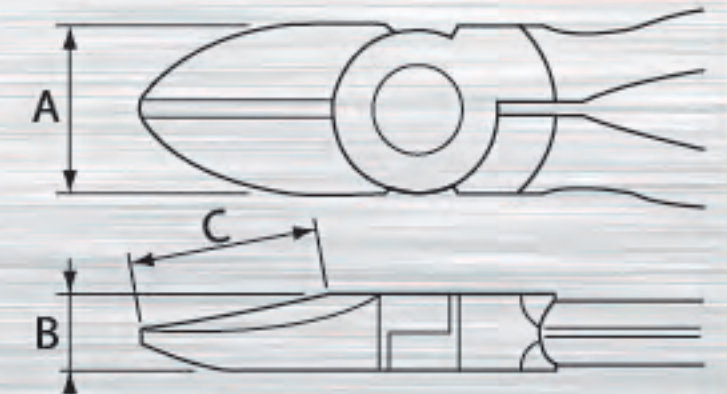


Model	Size (mm)	Dimensions(mm)			Weight (g)	Cutting capacity (φmm)	
		A	B	C		Steel wire	Copper wire
206S-150	150	22.5	12.5	22.0	205	2.0	2.6
206S-175	175	24.5	13.0	26.0	270	2.0	3.0
206S-200	200	26.0	14.0	29.0	350	2.6	3.5

99W VA cutting nippers

Spring Loaded

Full-flush 

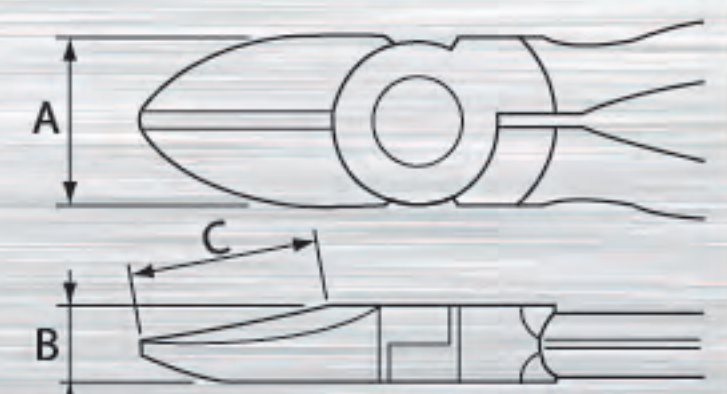


Model	Size (mm)	Dimensions(mm)			Weight (g)	Cutting capacity (φmm)
		A	B	C		VVF wire
99W-150	150	22.0	12.5	21.5	220	φ2.0×3.0
99W-175	175	24.0	12.5	25.0	275	φ2.0×3.0
99W-200	200	26.5	14.0	29.0	355	φ2.6×3.0

208 VA cutting nippers

Spring Loaded

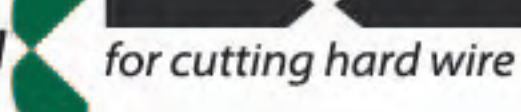
Full-flush 

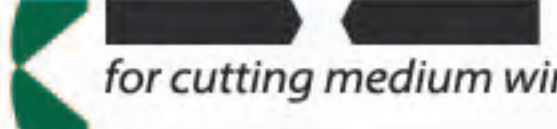


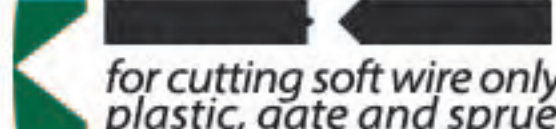
Model	Size (mm)	Dimensions(mm)			Weight (g)	Cutting capacity (φmm)	
		A	B	C		Steel wire	Copper wire
208-7	175	20.5	12.0	20.5	205	2.0	2.6
208-8	200	20.5	12.0	23.5	255	2.0	3.0

NIPPERS

Blade shape

Standard  for cutting hard wire

Semi-flush  for cutting medium wire

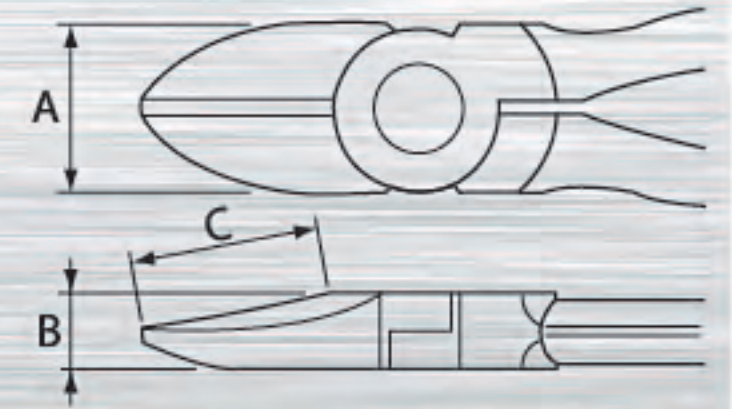
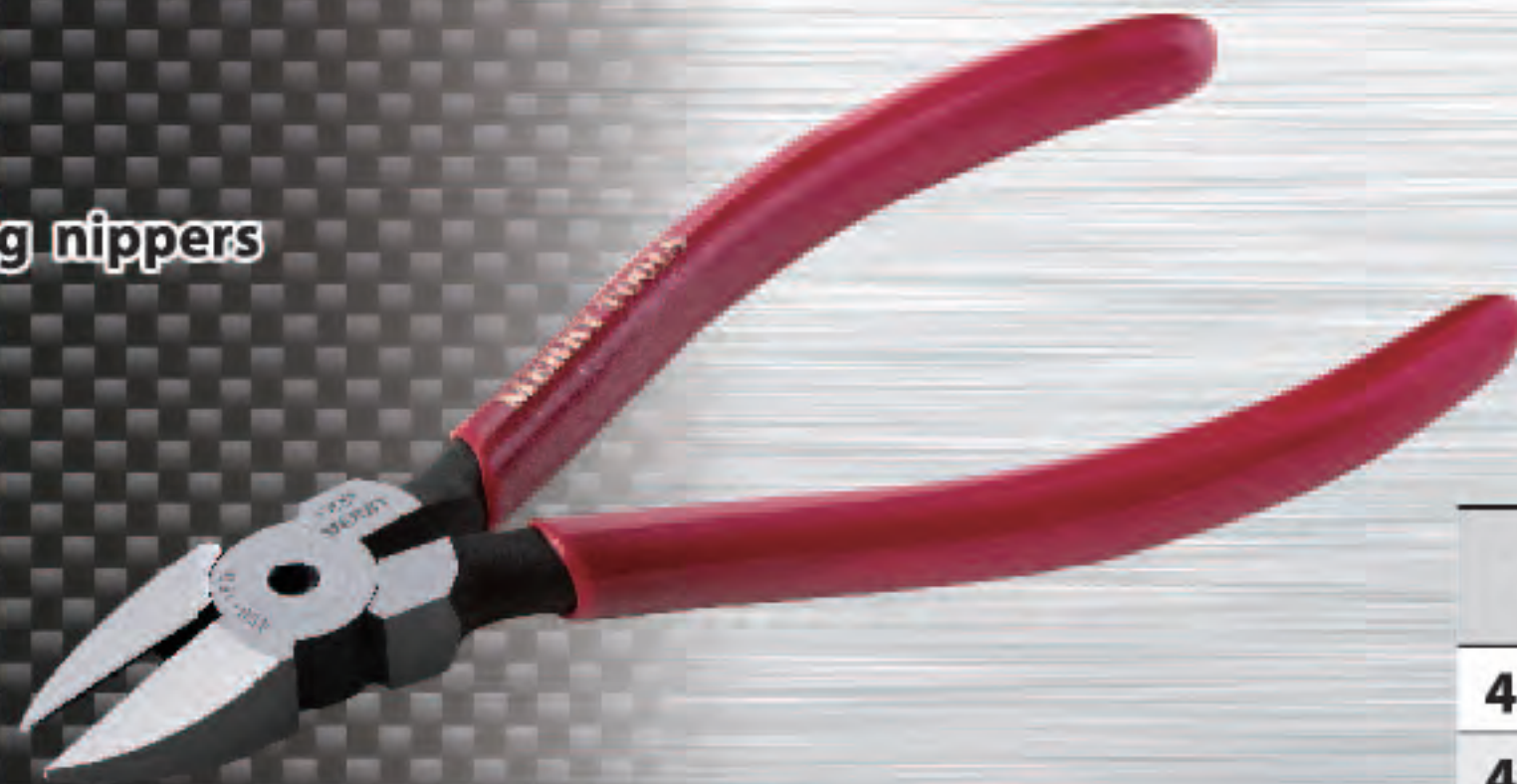
Full-flush  for cutting soft wire only or plastic, gate and sprue

450

Diagonal cutting nippers

Spring Loaded

Semi-flush 

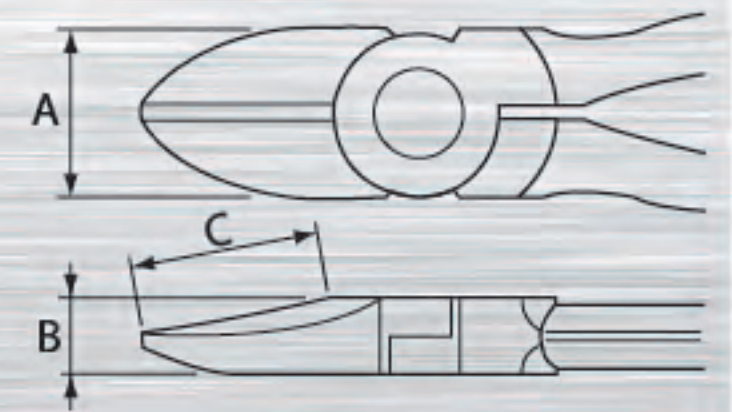


Model	Size (mm)	Dimensions(mm)			Weight (g)	Cutting capacity (φmm)	
		A	B	C		Steel wire	Copper wire
450-125	125	12.5	8.0	14.0	85	0.8	1.2
450-150	150	17.0	10.0	20.0	150	1.5	2.6

207

Diagonal cutting nippers
<with crimping die>


Standard 

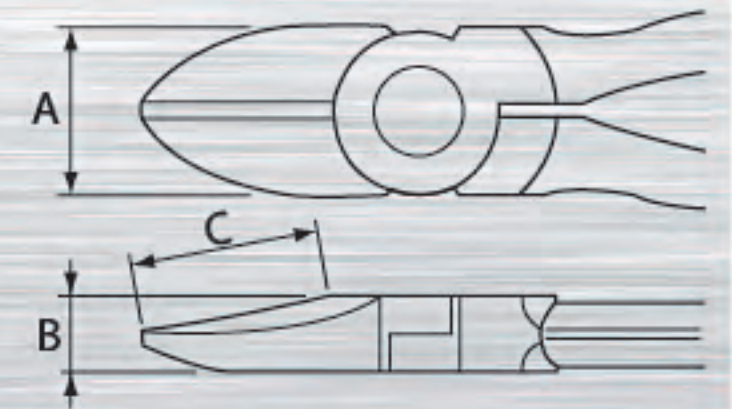


Model	Size (mm)	Dimensions(mm)			Weight (g)	Cutting capacity (φmm)	
		A	B	C		Steel wire	Copper wire
207	225	26.0	12.2	27.0	345	3.0	4.0

207S

Diagonal cutting nippers
<with crimping die>

Full-flush 



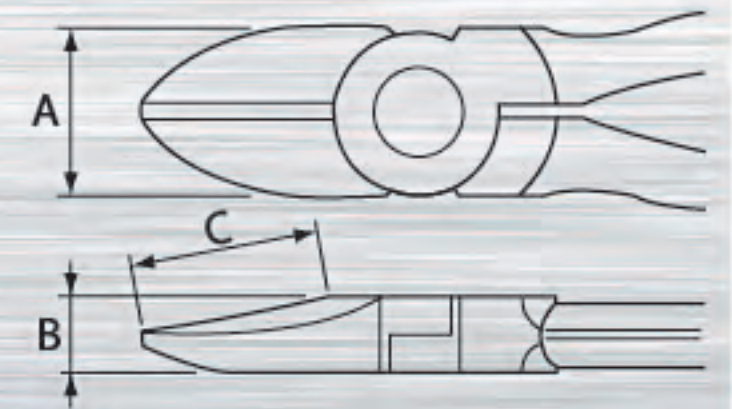
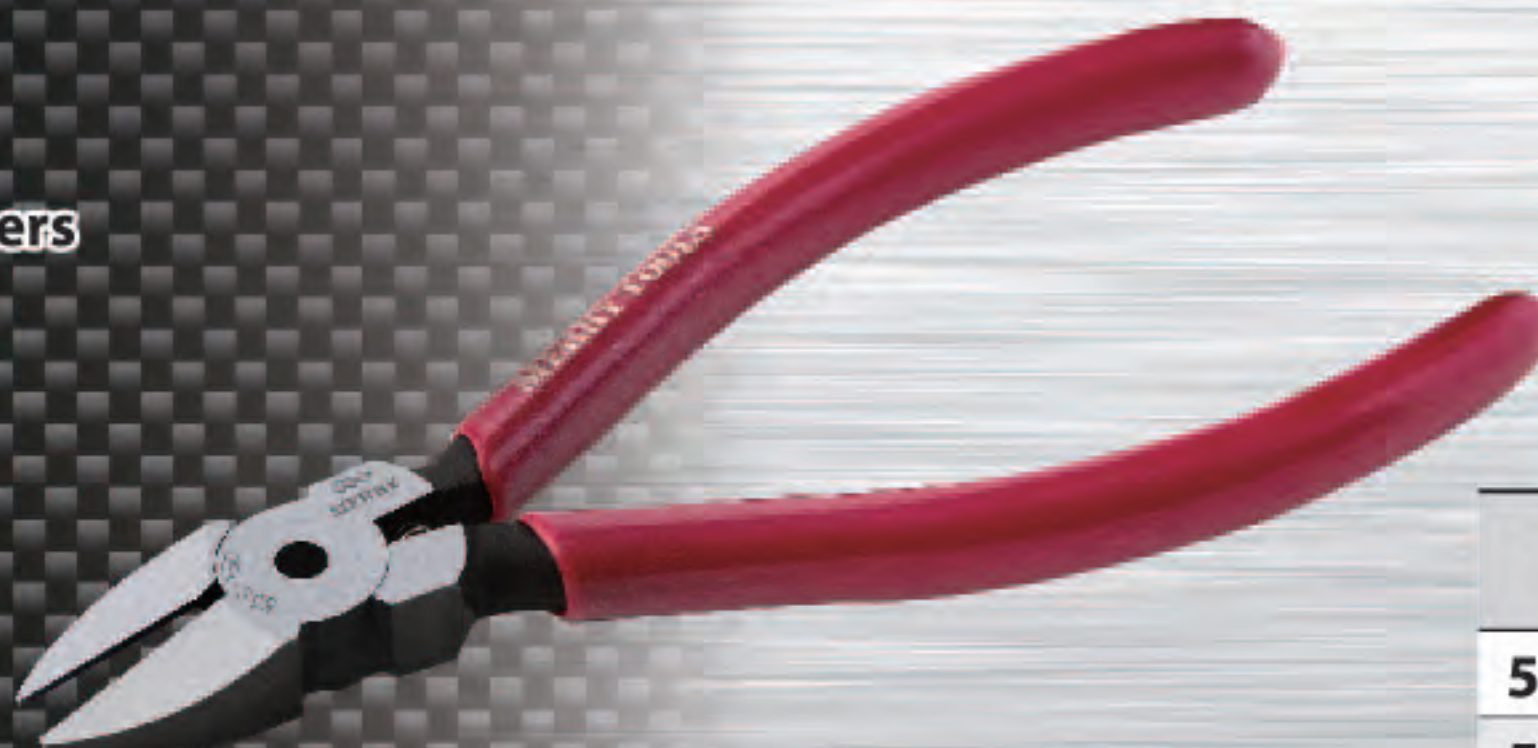
Model	Size (mm)	Dimensions(mm)			Weight (g)	Cutting capacity (φmm)	
		A	B	C		Steel wire	Copper wire
207S	225	26.0	12.2	27.0	345	3.0	4.0

55S

Electronic nippers

Spring Loaded

Semi-flush 



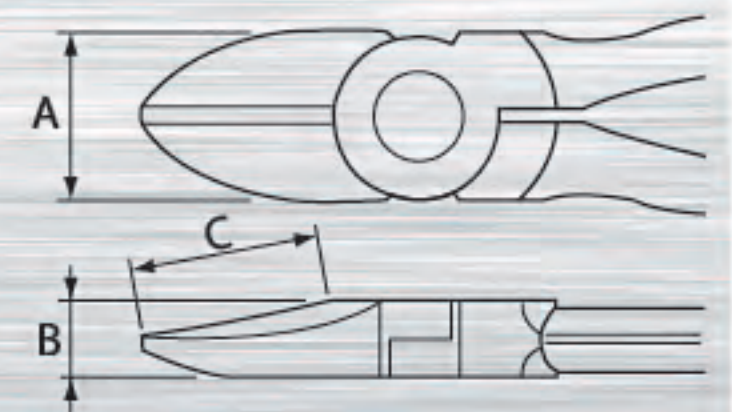
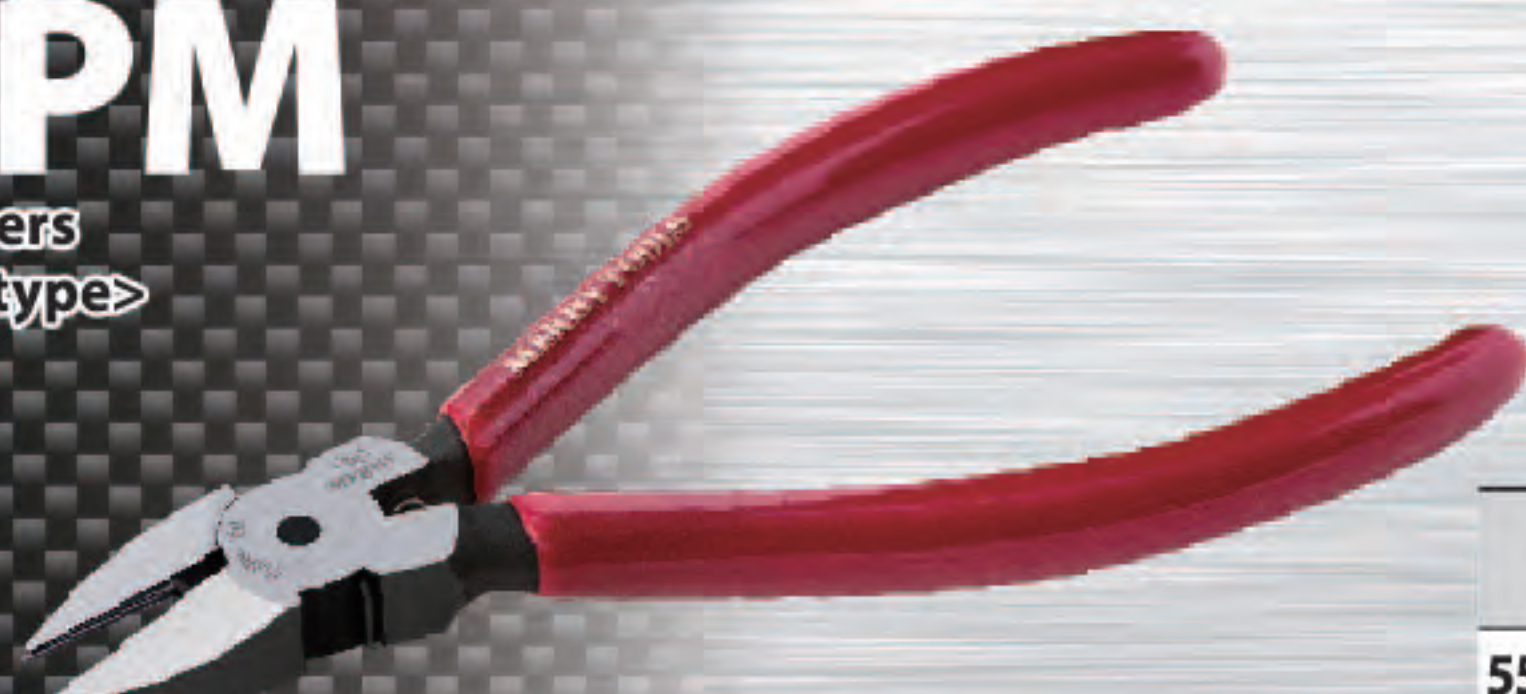
Model	Size (mm)	Dimensions(mm)			Weight (g)	Cutting capacity (φmm)	
		A	B	C		Steel wire	Copper wire
55S-120	120	13.0	8.5	14.0	85	0.8	1.2
55S-150	150	17.5	10.5	20.0	150	1.5	2.6

55SPM

Electronic nippers
<wire holding type>

Spring Loaded

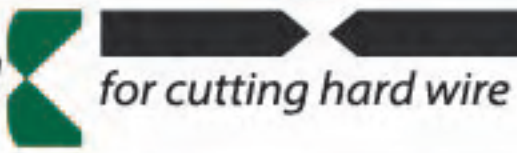
Semi-flush 

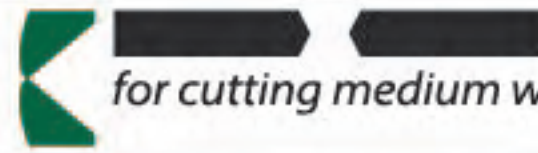



Model	Size (mm)	Dimensions(mm)			Weight (g)	Cutting capacity (φmm)	
		A	B	C		Steel wire	Copper wire
55SPM-120	120	13.0	8.0	14.5	90	0.8	1.2
55SPM-150	150	17.0	10.5	20.5	155	1.5	2.6

NIPPERS

Blade shape

Standard  for cutting hard wire

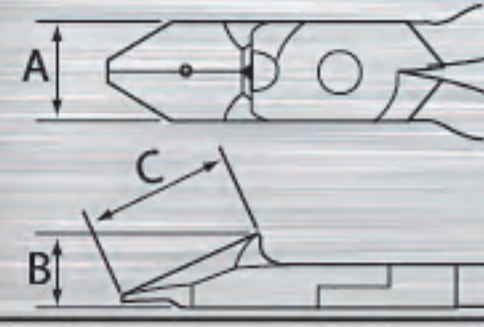
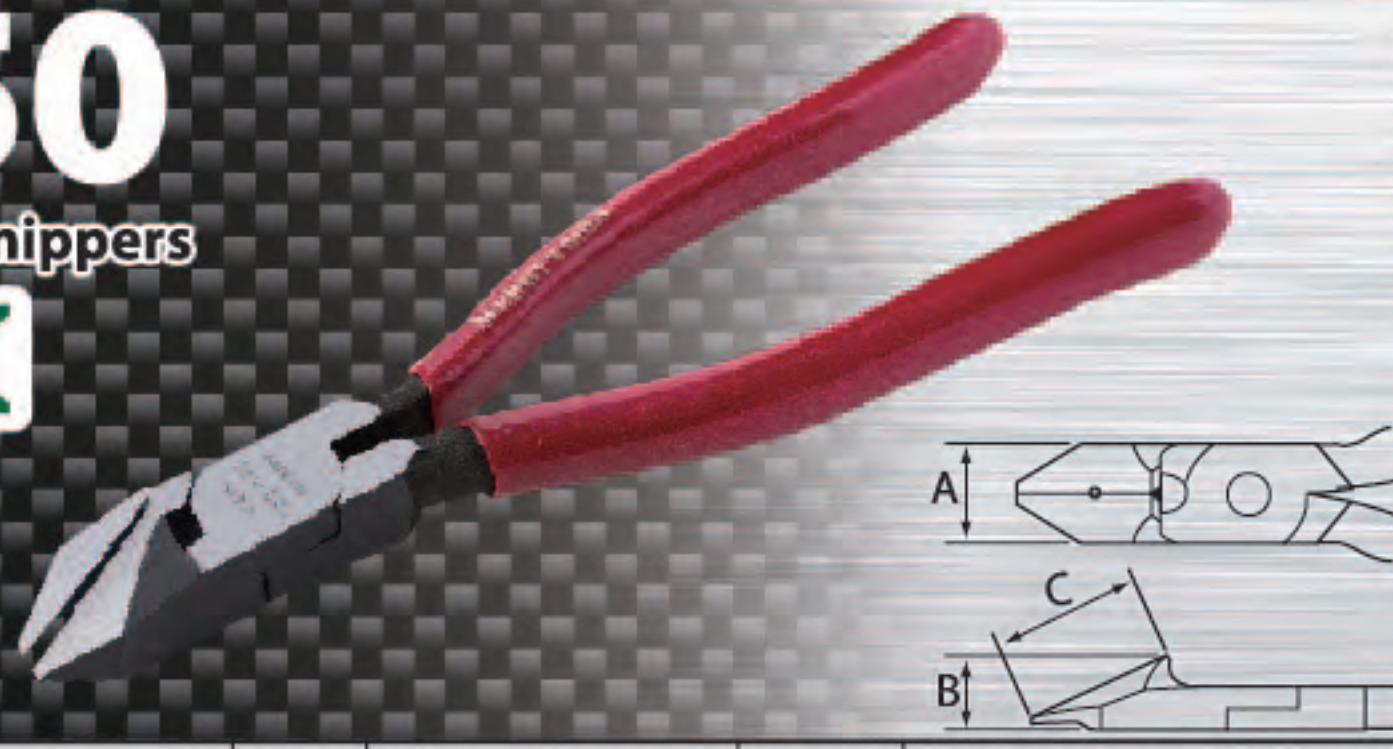
Semi-flush  for cutting medium wire

Full-flush  for cutting soft wire only or plastic, gate and sprue

550

Cutting nippers

Semi-flush 



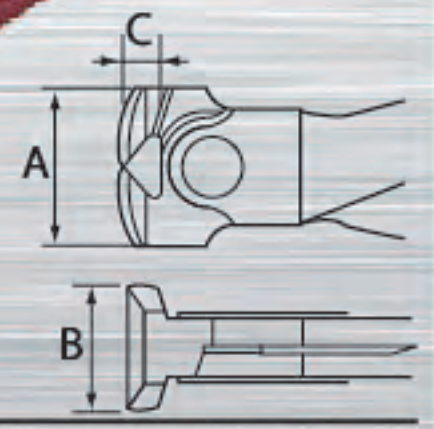
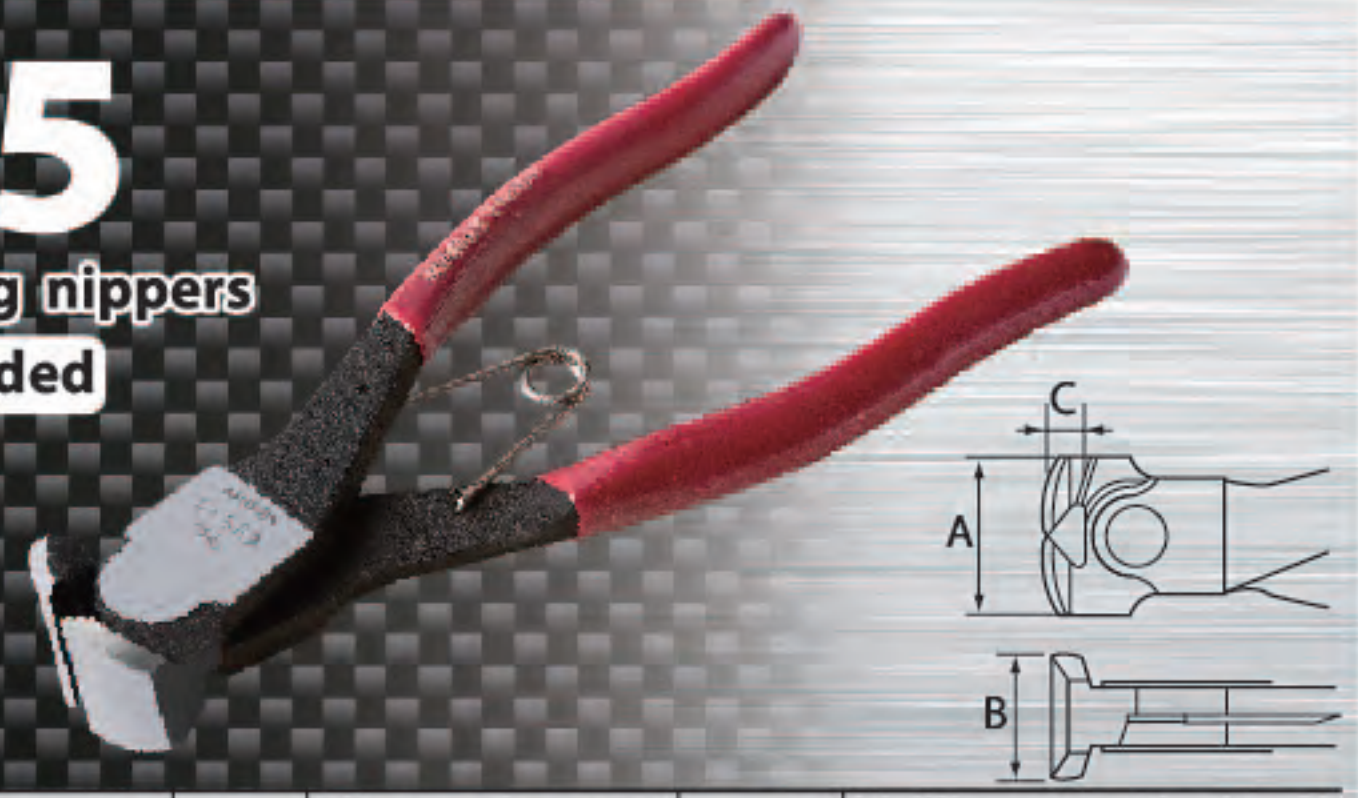
Model	Size (mm)	Dimensions(mm)			Weight (g)	Cutting capacity (φmm)	
		A	B	C		Steel wire	Copper wire
550-150	150	15.0	15.0	25.0	130	1.6	2.0
550-175	175	18.0	18.5	28.0	192	2.0	3.0

405

End cutting nippers

Spring Loaded

Standard 



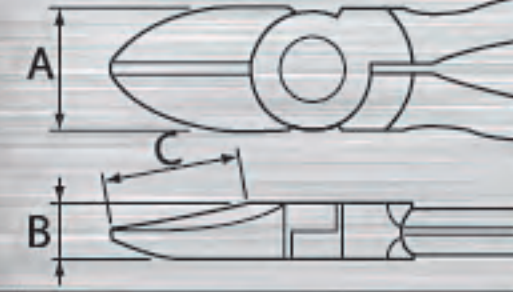
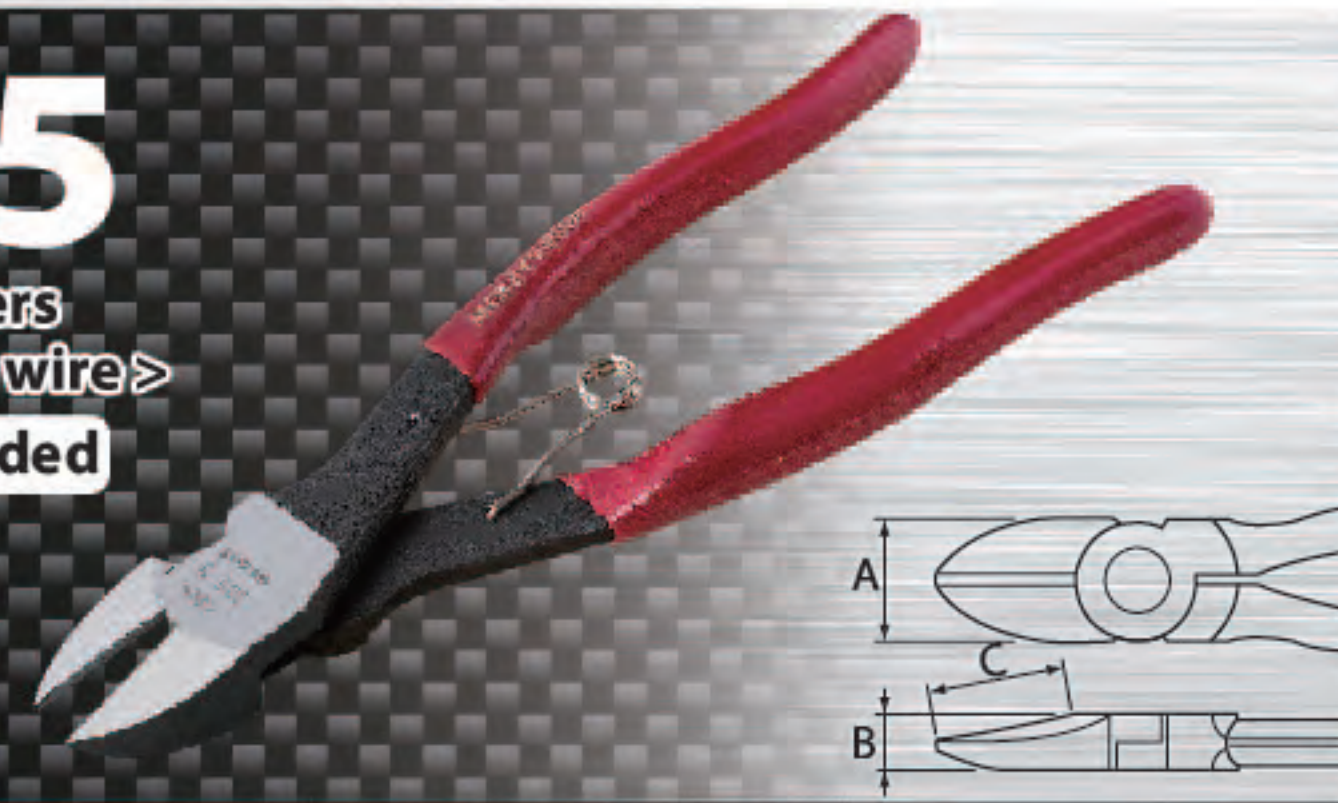
Model	Size (mm)	Dimensions(mm)			Weight (g)	Cutting capacity (φmm)	
		A	B	C		Steel wire	Copper wire
405-7	175	30.5	24.5	7.5	270	2.0	3.0
405-8	200	36.5	30.5	7.5	320	2.4	3.2

305

Wire nippers <for hard wire>

Spring Loaded

Standard 



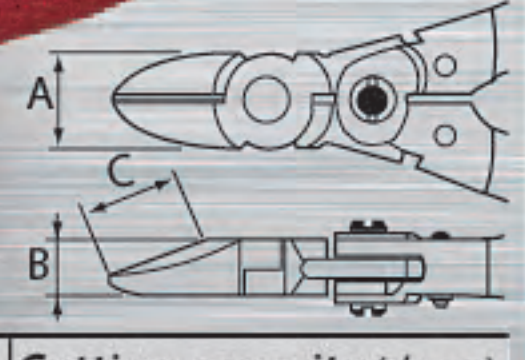
Model	Size (mm)	Dimensions(mm)			Weight (g)	Cutting capacity (φmm)	
		A	B	C		Steel wire	Copper wire
305-7	175	24.0	12.5	20.0	225	2.6	3.5
305-8	200	26.5	12.5	23.0	275	3.2	4.0

WA1000

Compound cutting nippers

Spring Loaded

Standard 



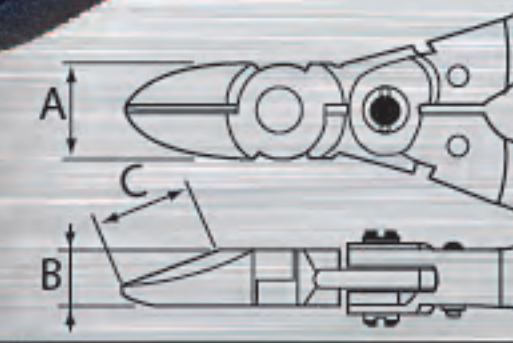
Model	Size (mm)	Dimensions(mm)			Weight (g)	Cutting capacity (φmm)	
		A	B	C		Steel wire	Copper wire
WA1000	160	19.0	11.0	17.0	190	2.0	2.6

WA1000F

Compound cutting nippers

Spring Loaded

Round type 



Model	Size (mm)	Dimensions(mm)			Weight (g)	Cutting capacity (φmm)	
		A	B	C		Plastics	
WA1000F	160	19.0	11.0	16.0	185	5.0	

WA1000Z

Compound cutting nippers <Carbide tipped>

Spring Loaded

Standard 

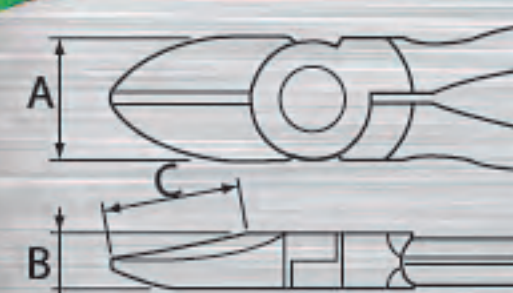


Model	Size (mm)	Dimensions(mm)			Weight (g)	Cutting capacity (φmm)	
		A	B	C		Piano wire	
WA1000Z	160	19.0	11.0	16.0	190	1.0	

XN200

Diagonal cutting nippers for electrical work

Standard 

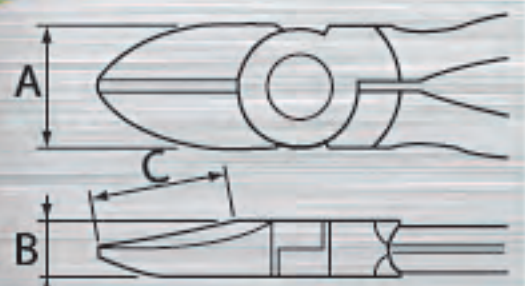
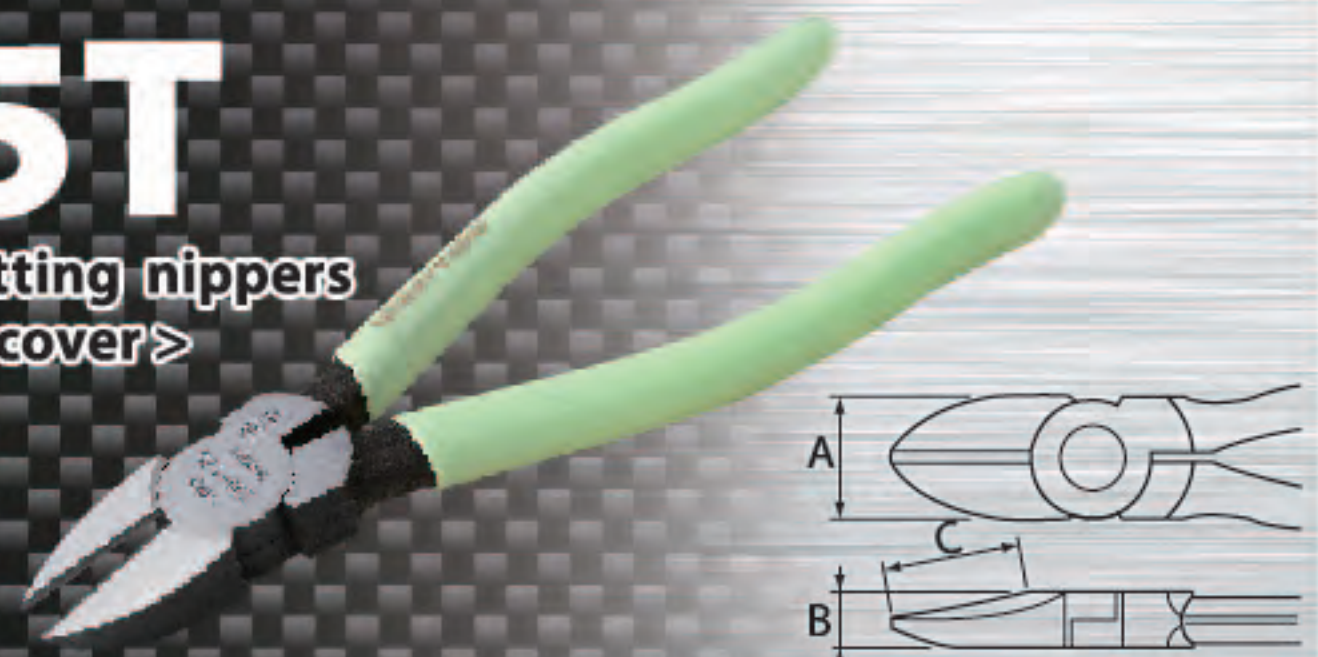


Model	Size (mm)	Dimensions(mm)			Weight (g)	Cutting capacity (φmm)	
		A	B	C		Steel wire	Copper wire
XN200	200	26.5	13.5	29.0	360	2.6	3.5

205T

Diagonal cutting nippers <Luminous cover>

Standard 

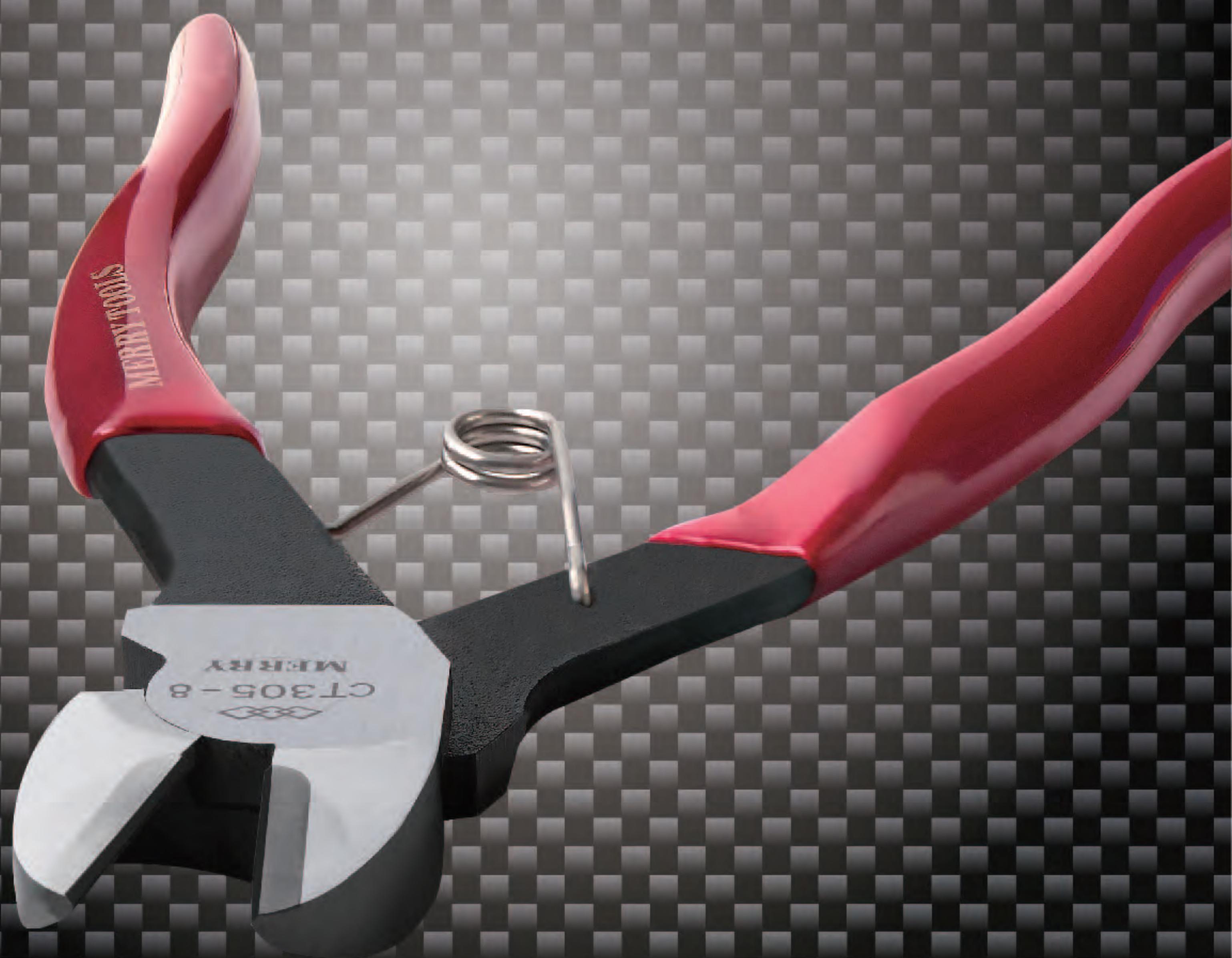


Model	Size (mm)	Dimensions(mm)			Weight (g)	Cutting capacity (φmm)	
		A	B	C		Steel wire	Copper wire
205T-150	150	22.0	12.5	22.5	210	2.0	2.6
205T-175	175	24.5	13.0	26.0	275	2.0	3.0
205T-200	200	26.5	14.0	29.0	360	2.6	3.5



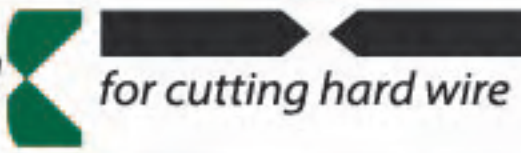
MERRY

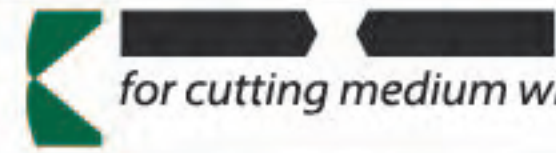
NIPPERS FOR PIANO WIRE

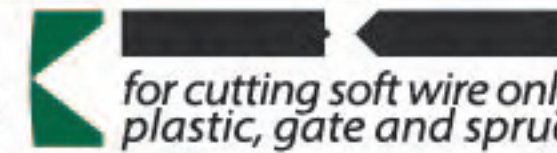


NIPPERS FOR PIANO WIRE

Blade shape

Standard  for cutting hard wire

Semi-flush  for cutting medium wire

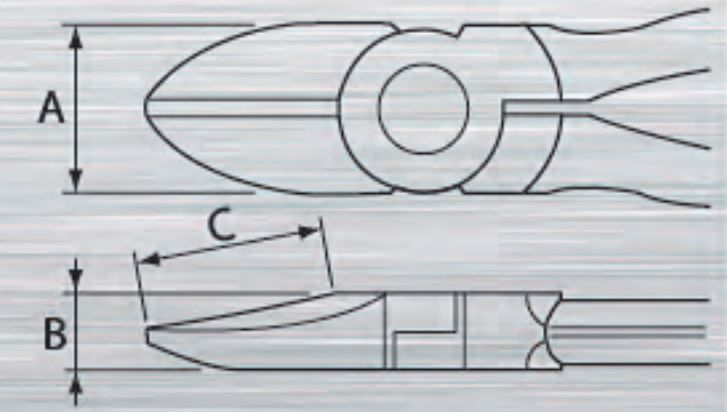
Full-flush  for cutting soft wire only or plastic, gate and sprue

CT55

Electro nippers
<carbide tipped>

Spring Loaded

Semi-flush 



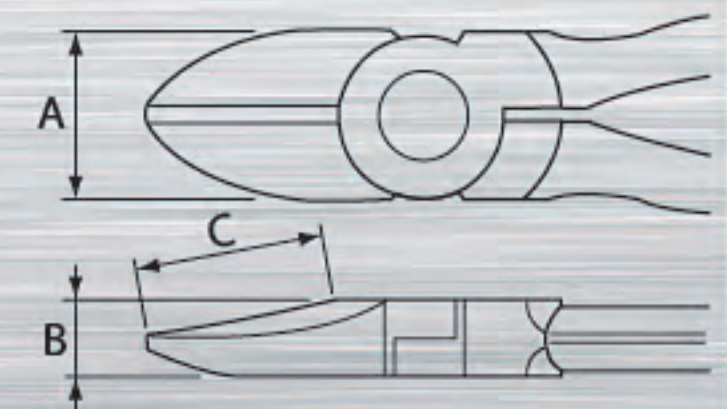
Model	Size (mm)	Dimensions (mm)			Weight (g)	Cutting capacity (φmm)	
		A	B	C		Piano wire	
CT55-120	120	12.0	8.0	8.0	90	0.5	
CT55-150	150	17.0	10.0	16.0	150	0.5	

CT305

Diagonal cutting nippers
<carbide tipped>

Spring Loaded

Standard 



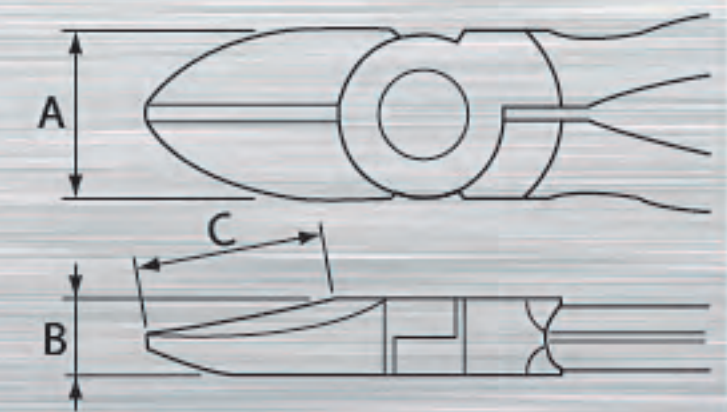
Model	Size (mm)	Dimensions (mm)			Weight (g)	Cutting capacity (φmm)	
		A	B	C		Piano wire	
CT305-7	175	24.0	12.0	16.0	220	1.0	
CT305-8	200	26.0	12.0	16.0	265	1.2	

P56

Steel wire cutting nippers

Spring Loaded

Semi-flush 



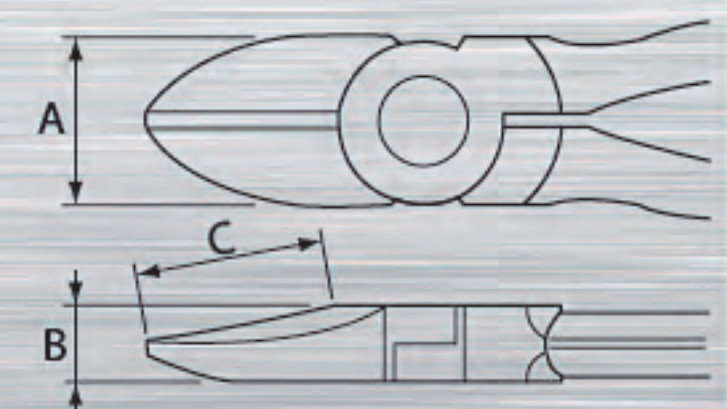
Model	Size (mm)	Dimensions (mm)			Weight (g)	Cutting capacity (φmm)	
		A	B	C		Piano wire	
P56	120	12.0	8.5	12.0	70	0.5	

203

High leverage
steel wire cutting nippers

Spring Loaded

Standard 



Model	Size (mm)	Dimensions (mm)			Weight (g)	Cutting capacity (φmm)	
		A	B	C		Steel wire (Welding wire)	
203	175	24.0	12.5	24.0	290	1.6	



MERRY

**LONG NOSE SIDE
CUTTING PLIERS
&
PLIERS**

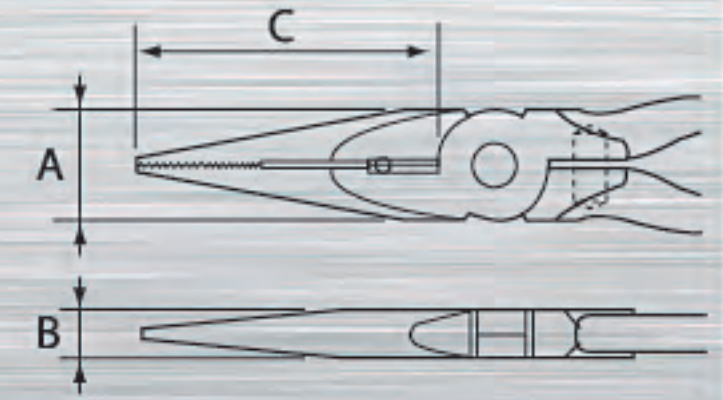
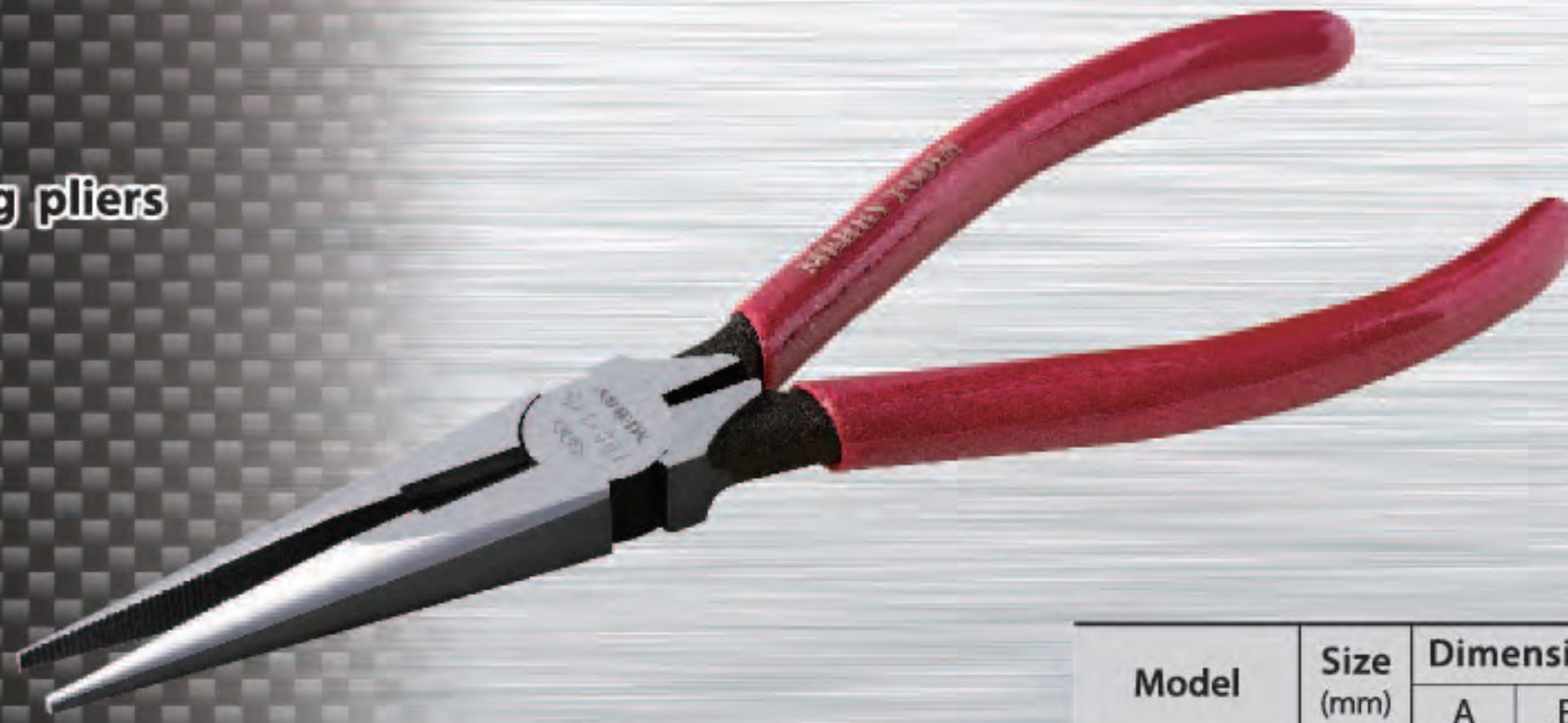
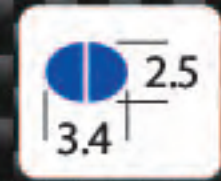


LONG NOSE SIDE CUTTING PLIERS & PLIERS

105[Ⓜ]

Long nose side cutting pliers

Spring Loaded

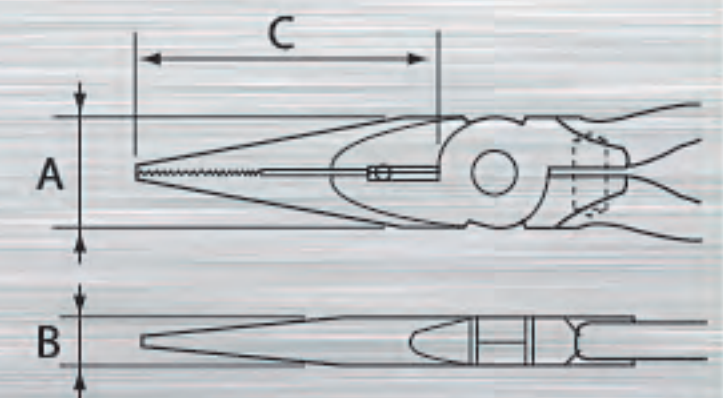
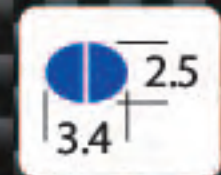


Model	Size (mm)	Dimensions (mm)			Weight (g)	Cutting capacity (φ mm)	
		A	B	C		Steel wire	Copper wire
[Ⓜ] 105-150	150	17.0	10.5	50.0	140	1.5	2.6
105-175	175	19.0	10.5	59.0	185	2.0	3.0

105H[Ⓜ]

Long nose side cutting pliers

Spring Loaded

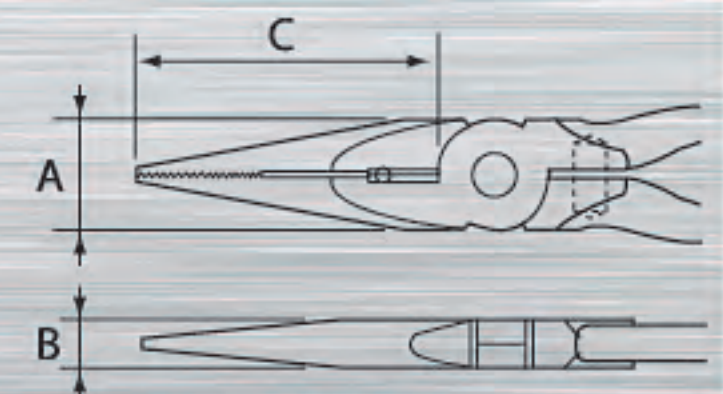
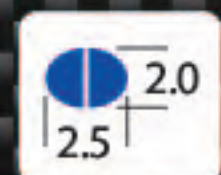


Model	Size (mm)	Dimensions (mm)			Weight (g)	Cutting capacity (φ mm)	
		A	B	C		Steel wire	Copper wire
[Ⓜ] 105H-150	150	17.0	10.5	50.0	140	1.5	2.6
105H-175	175	19.0	10.5	59.0	185	2.0	3.0

150

Long nose side cutting pliers
<slim type>

Spring Loaded

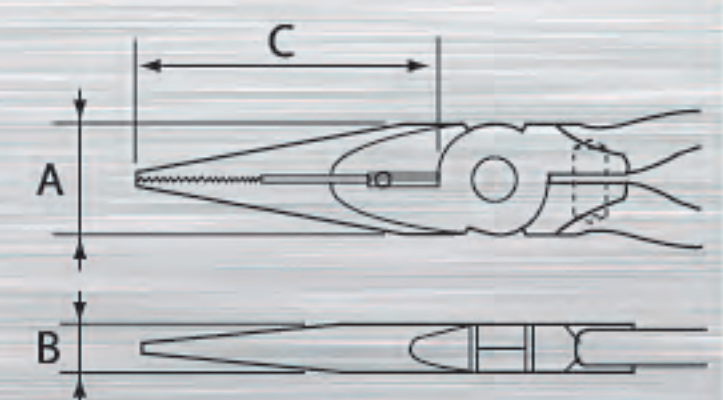
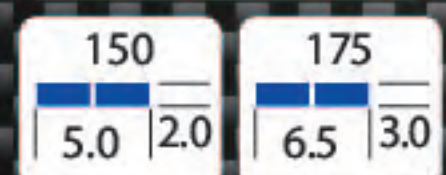


Model	Size (mm)	Dimensions (mm)			Weight (g)	Cutting capacity (φ mm)	
		A	B	C		Steel wire	Copper wire
150	150	12.0	7.5	57.5	85	1.2	2.0

105F

Flat nose pliers

Spring Loaded

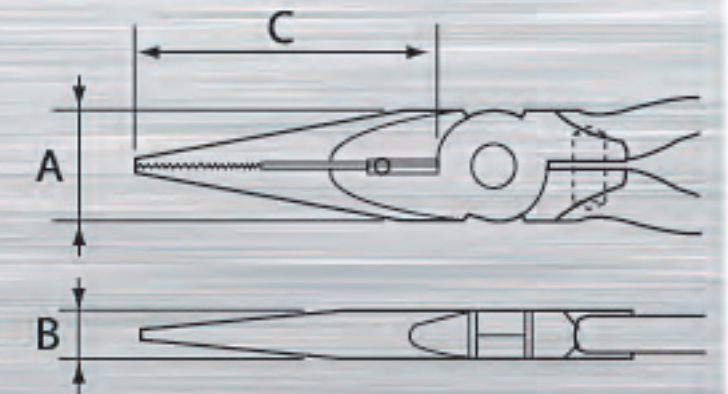
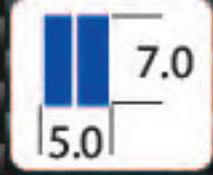


Model	Size (mm)	Dimensions (mm)			Weight (g)
		A	B	C	
105F-150	150	17.0	10.0	50.0	140
105F-175	175	19.5	11.5	59.0	190

LONG NOSE SIDE CUTTING PLIERS & PLIERS

2500

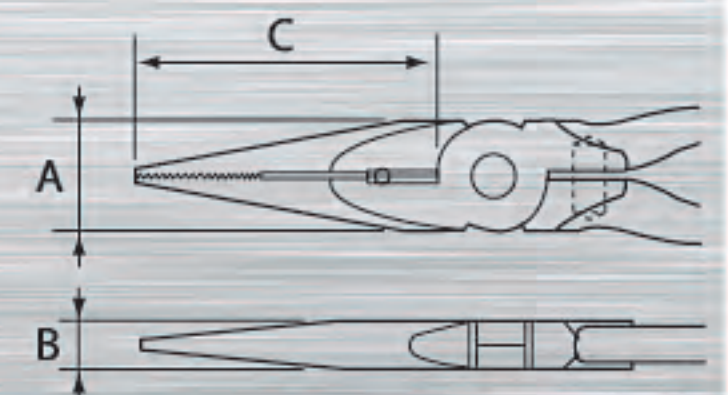
Duck-bill pliers



Model	Size (mm)	Dimensions(mm)			Weight (g)
		A	B	C	
2500	200	15.5	11.5	38.0	205

2500R

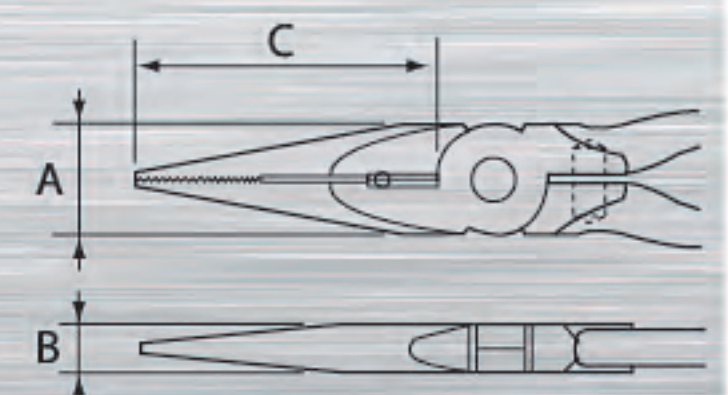
Long reach needle nose pliers



Model	Size (mm)	Dimensions(mm)			Weight (g)
		A	B	C	
2500R	200	15.5	11.5	39.0	200

2500T

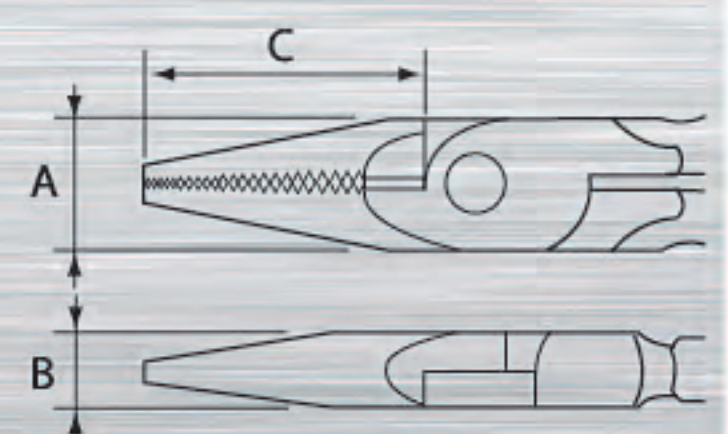
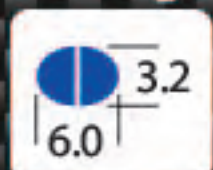
Nail pliers for tire repair
<special hand tool for removing nails on tires.>



Model	Size (mm)	Dimensions(mm)			Weight (g)
		A	B	C	
2500T	200	15.5	11.0	38.0	200

Y75

Heavy-duty semi-long nose pliers



Model	Size (mm)	Dimensions(mm)			Weight (g)
		A	B	C	
Y75-185	185	20.0	12.5	32.0	260
Y75-225	225	24.0	14.5	35.0	370



MERRY

NIPPERS FOR CUTTING PLASTICS



NIPPERS FOR CUTTING PLASTICS

Section of blade

Round type

Flat type

Angle type

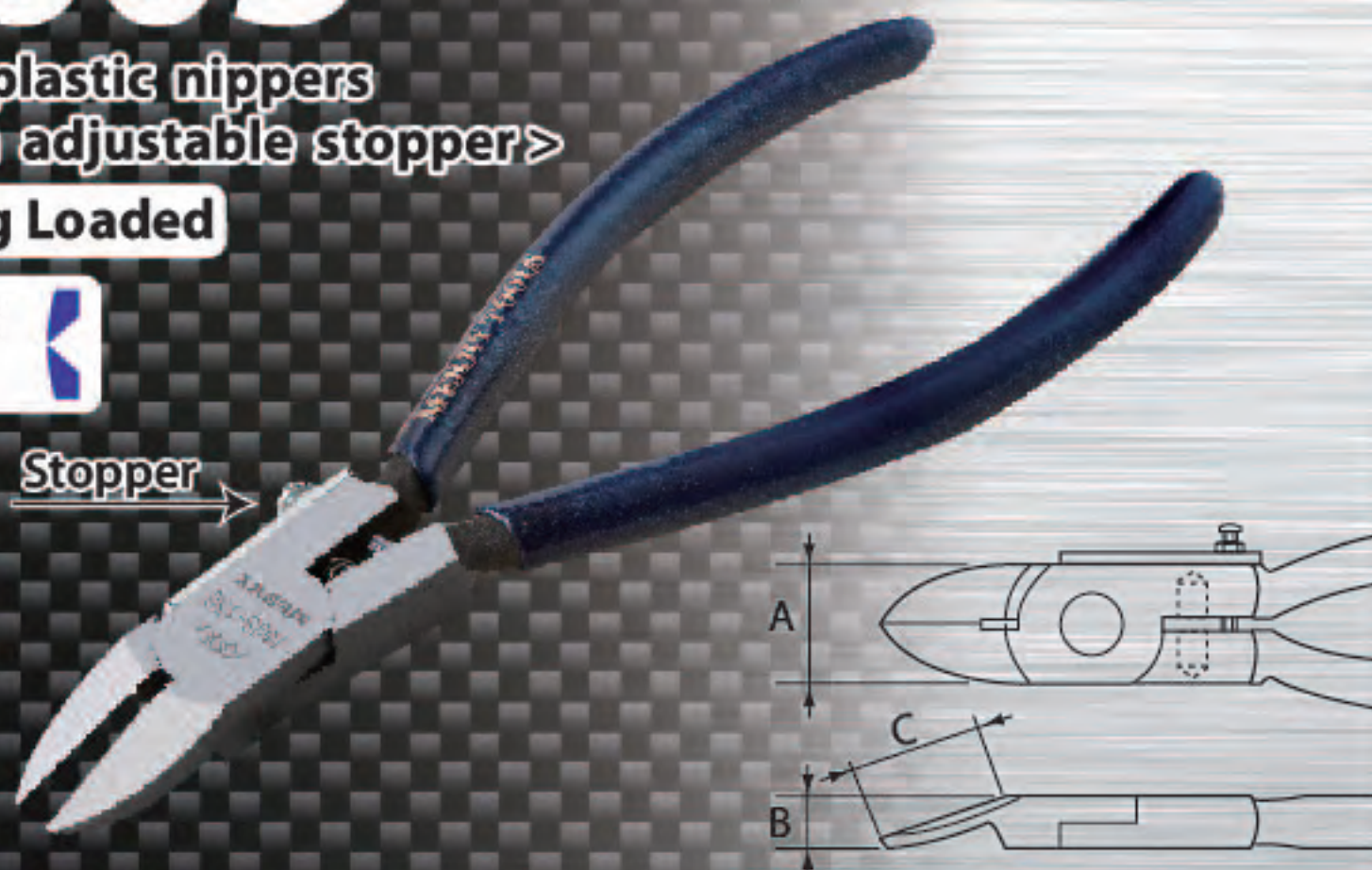
160S

High plastic nippers
<with adjustable stopper>

Spring Loaded

Round type

Stopper



Model	Size (mm)	Dimensions(mm)			Weight (g)	Cutting capacity (φmm) Plastics
		A	B	C		
160S-125	125	14.0	7.5	16.0	90	3.0
160S-150	150	16.0	8.0	17.0	130	5.0

160SF

High plastic nippers
<with adjustable stopper>

Spring Loaded

Flat type

Stopper



Model	Size (mm)	Dimensions(mm)			Weight (g)	Cutting capacity (φmm) Plastics
		A	B	C		
160SF-125	125	14.0	7.5	16.0	90	3.0
160SF-150	150	16.0	8.0	17.0	130	5.0

160SA

High plastic nippers
<with adjustable stopper>

Spring Loaded

Angle type

Stopper



Model	Size (mm)	Dimensions(mm)			Weight (g)	Cutting capacity (φmm) Plastics
		A	B	C		
160SA-125	125	14.0	7.5	16.0	90	3.0
160SA-150	150	16.0	8.0	17.0	130	5.0

160FW

High plastic nippers
<with adjustable stopper>

Spring Loaded

Round type

Stopper



Model	Size (mm)	Dimensions(mm)			Weight (g)	Cutting capacity (φmm) Plastics
		A	B	C		
160FW-125	125	14.0	7.5	16.0	90	2.0
160FW-150	150	16.0	8.0	17.0	130	4.0

160GT

High plastic nippers
<Leaf spring>

Spring Loaded

Round type



Model	Size (mm)	Dimensions(mm)			Weight (g)	Cutting capacity (φmm) Plastics
		A	B	C		
160GT	150	16.0	8.0	17.0	115	5.0

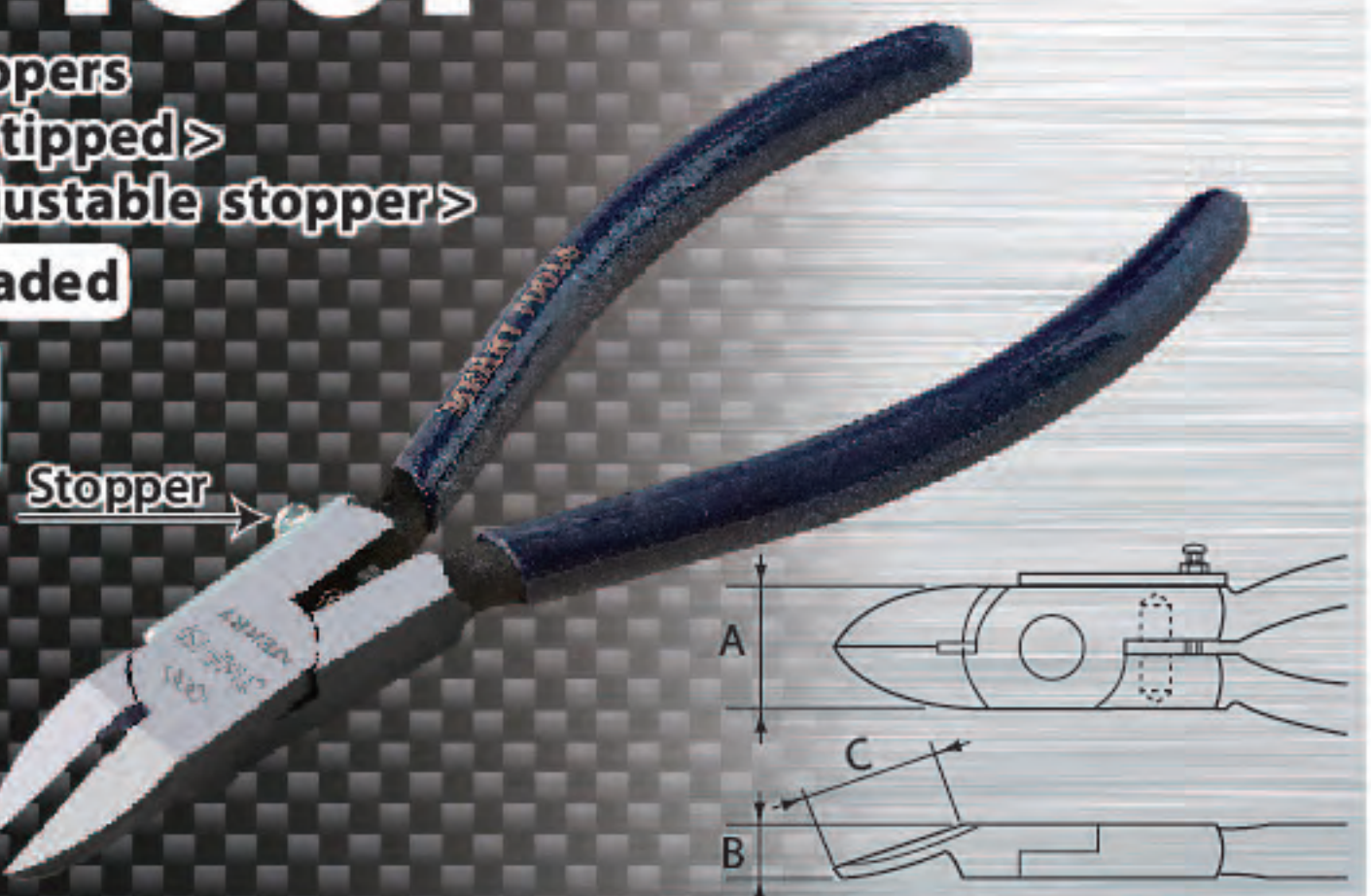
CT160F

Plastic nippers
<carbide tipped>
<with adjustable stopper>

Spring Loaded

Flat type

Stopper



Model	Size (mm)	Dimensions(mm)			Weight (g)	Cutting capacity (φmm) Plastics
		A	B	C		
CT160F-125	125	14.0	7.0	14.0	90	3.0
CT160F-150	150	16.0	8.0	15.0	130	5.0



MERRY

NIPPERS FOR CUTTING PLASTICS



NIPPERS FOR CUTTING PLASTICS

Section of blade

Round type

Flat type

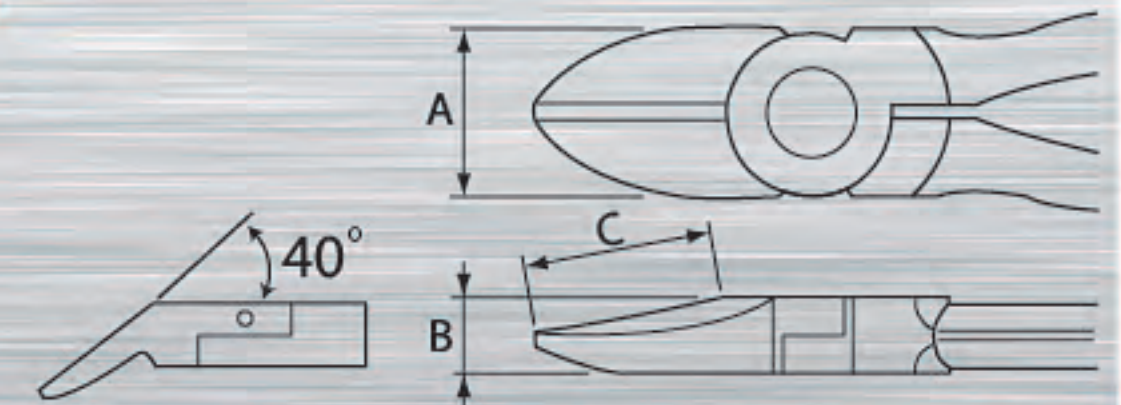
Angle type

170S

Angled plastic nippers

Spring Loaded

Flat type



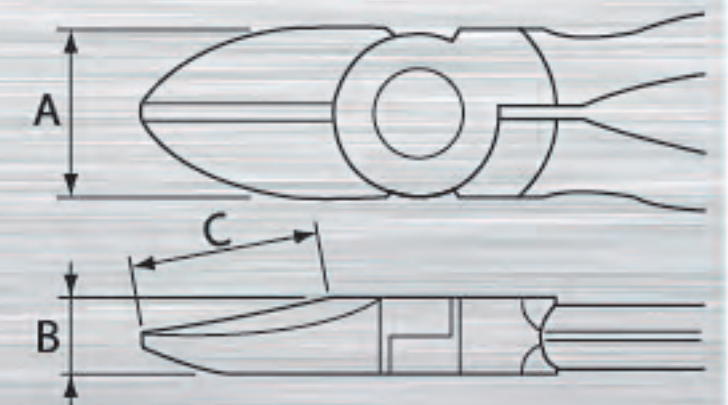
Model	Size (mm)	Dimensions(mm)			Weight (g)	Cutting capacity (φmm)	
		A	B	C		Plastics	
170S	150	15.0	10.0	22.0	145	5.0	

99

Heavy-duty plastic nippers

Spring Loaded

Round type



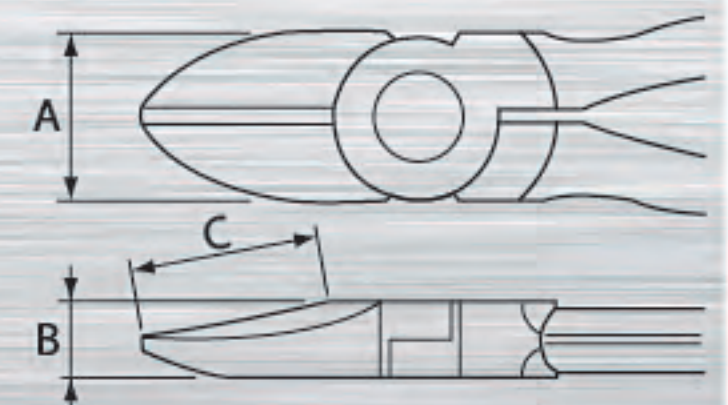
Model	Size (mm)	Dimensions(mm)			Weight (g)	Cutting capacity (φmm)	
		A	B	C		Plastics	
99-150	150	22.0	12.5	19.5	200	8.0	
99-175	175	24.0	12.5	23.0	260	9.0	
99-200	200	26.0	13.5	27.0	340	10.0	

99S

Heavy-duty plastic nippers
<with adjustable stopper>

Spring Loaded

Round type



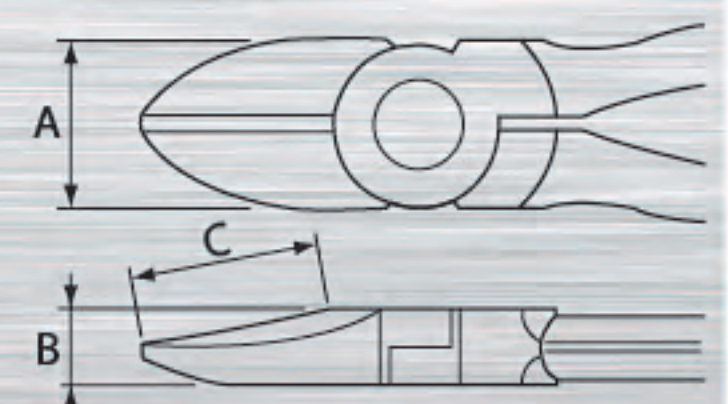
Model	Size (mm)	Dimensions(mm)			Weight (g)	Cutting capacity (φmm)	
		A	B	C		Plastics	
99S-150	150	22.0	12.5	19.5	210	8.0	
99S-175	175	24.0	12.5	23.0	265	9.0	
99S-200	200	26.0	13.5	27.0	340	10.0	

99SF

Heavy-duty plastic nippers
<with adjustable stopper>

Spring Loaded

Flat type



Model	Size (mm)	Dimensions(mm)			Weight (g)	Cutting capacity (φmm)	
		A	B	C		Plastics	
99SF-150	150	22.0	12.5	20.0	210	8.0	
99SF-175	175	24.0	12.5	23.0	265	9.0	
99SF-200	200	25.5	13.5	27.0	345	10.0	

NIPPERS FOR CUTTING PLASTICS

Section of blade

Round type

Flat type

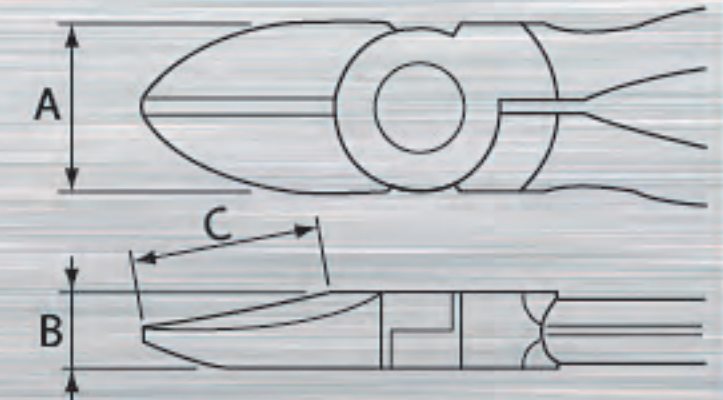
Angle type

66S

Plastic nippers

Spring Loaded

Round type



Model	Size (mm)	Dimensions(mm)			Weight (g)	Cutting capacity (φmm) Plastics
		A	B	C		
66S	150	17.0	10.0	18.0	150	5.0

68S

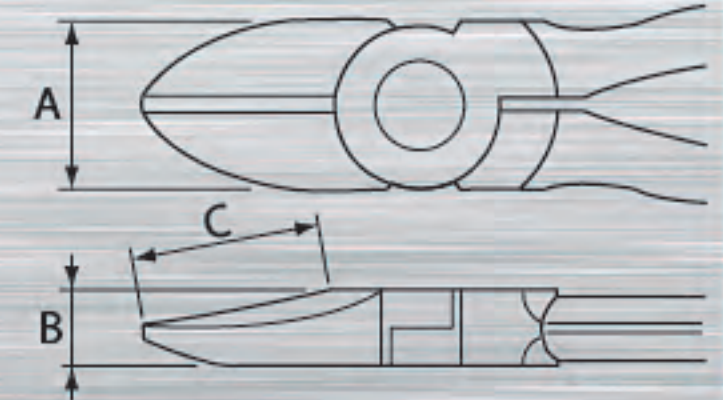
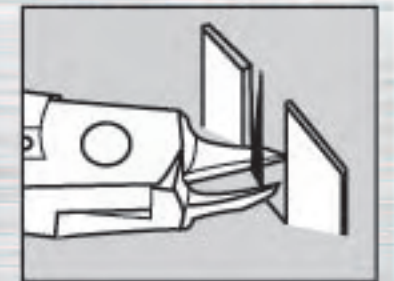
Narrow nose plastic nippers

Spring Loaded

Round type



For cutting in narrow spaces



Model	Size (mm)	Dimensions(mm)			Weight (g)	Cutting capacity (φmm) Plastics
		A	B	C		
68S	125	12.5	8.0	12.0	90	2.0



MERRY

END CUTTING AND R-CUT NIPPERS FOR CUTTING PLASTICS



END CUTTING AND R-CUT NIPPERS FOR CUTTING PLASTICS

23EF

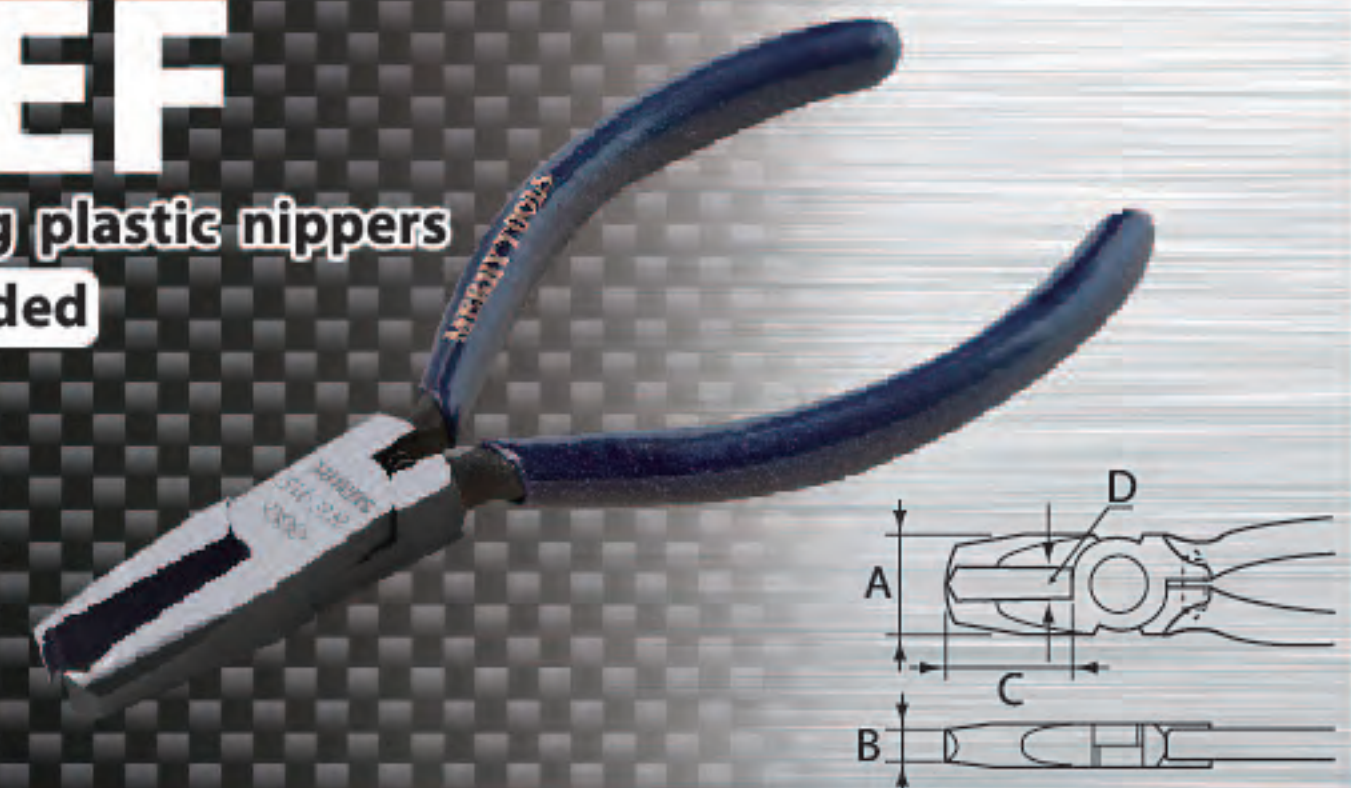
End cutting plastic nippers
Spring Loaded



Model	Size (mm)	Dimensions(mm)				Weight (g)	Cutting capacity (φmm) Plastics
		A	B	C	D		
23EF	130	17.0	7.0	20.0	6.0	120	3.0

24EF

End cutting plastic nippers
Spring Loaded



Model	Size (mm)	Dimensions(mm)				Weight (g)	Cutting capacity (φmm) Plastics
		A	B	C	D		
24EF	115	13.0	5.5	20.0	3.0	75	3.0

25EF

End cutting plastic nippers
Spring Loaded



Model	Size (mm)	Dimensions(mm)				Weight (g)	Cutting capacity (φmm) Plastics
		A	B	C	D		
25EF	145	17.0	5.5	31.0	4.0	125	3.0

26EF

End cutting plastic nippers
Spring Loaded



Model	Size (mm)	Dimensions(mm)				Weight (g)	Cutting capacity (φmm) Plastics
		A	B	C	D		
26EF	140	17.0	7.0	27.0	7.0	130	3.0

HW25R

R-cut plastic nippers
<with adjustable stopper>
Spring Loaded



Model	Size (mm)	Dimensions(mm)			Weight (g)	Cutting capacity (φmm) Plastics
		A	B	C		
HW25R	150	16.0	8.5	16.0	130	5.0

CX25R

R-cut plastic nippers
<with adjustable stopper>
Spring Loaded



Model	Size (mm)	Dimensions(mm)			Weight (g)	Cutting capacity (φmm) Plastics
		A	B	C		
CX25R	150	16.0	8.5	13.0	130	5.0

PG20

Pin gate plastic nippers
<with adjustable stopper>
Spring Loaded



Model	Size (mm)	Weight (g)	Cutting capacity (φmm) Plastics	
PG20	125	90	1.0	

2000EF

End cutting plastic nippers
Spring Loaded



Model	Size (mm)	Dimensions(mm)				Weight (g)	Cutting capacity (φmm) Plastics
		A	B	C	D		
2000EF	190	18.0	8.0	35.0	20-90	200	3.0



MERRY

NIPPERS FOR CUTTING PLASTICS



NIPPERS FOR CUTTING PLASTICS

Section of blade

Round type

Flat type

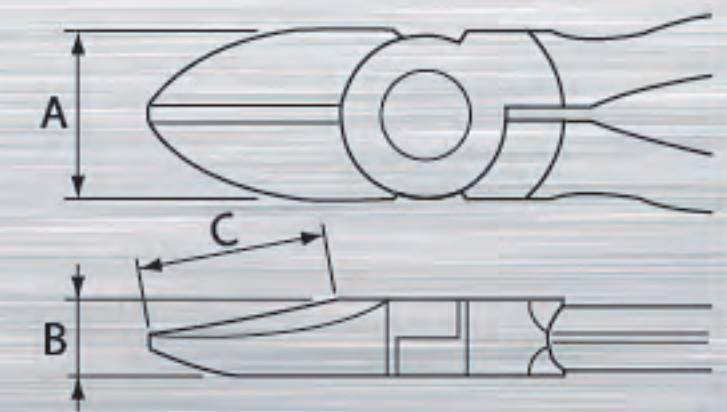
Angle type

550SF

Box joint plastic nippers

Spring Loaded

Round type



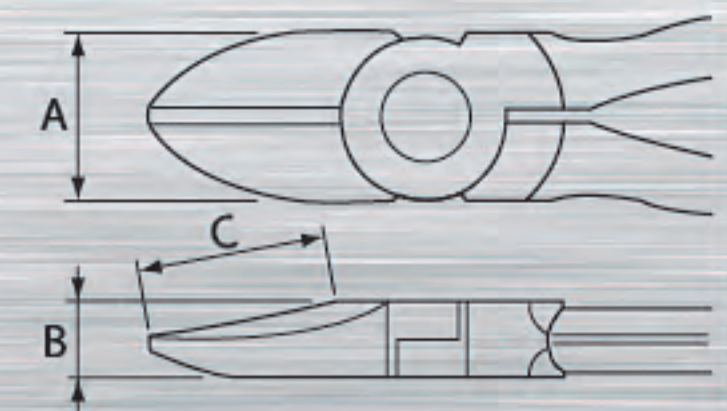
Model	Size (mm)	Dimensions(mm)			Weight (g)	Cutting capacity (φmm)	
		A	B	C		Plastics	
550SF-125	125	14.0	14.5	21.5	110	3.0	
550SF-150	150	15.0	17.0	24.0	140	5.0	

140S

Flat plastic nippers
<with adjustable stopper>

Spring Loaded

Flat type



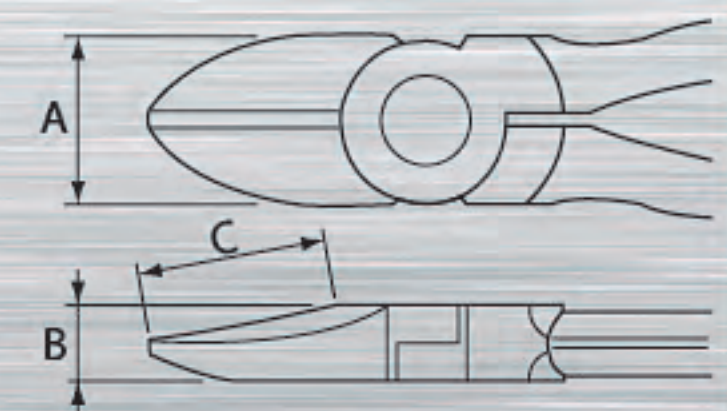
Model	Size (mm)	Dimensions(mm)			Weight (g)	Cutting capacity (φmm)	
		A	B	C		Plastics	
140S	130	12.5	7.5	11.0	90	3.0	

170PL

Smooth plastic nippers

Spring Loaded

Flat type



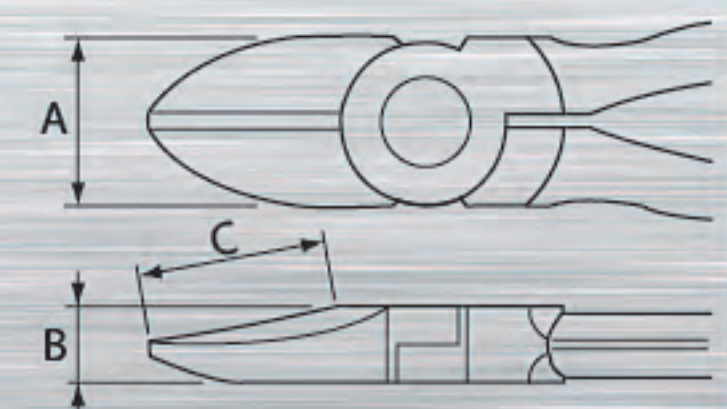
Model	Size (mm)	Dimensions(mm)			Weight (g)	Cutting capacity (φmm)	
		A	B	C		Plastics	
170PL	150	16.0	9.0	24.0	115	5.0	

02SP

Tip edge nippers

Spring Loaded

Round type



Model	Size (mm)	Dimensions(mm)			Weight (g)	Cutting capacity (φmm)	
		A	B	C		Plastics	
02SP	125	12.0	7.5	6.5	70	2.0	



MERRY

HEAT NIPPERS FOR CUTTING PLASTICS



HEAT NIPPERS FOR CUTTING PLASTICS

The built-in heater warms the blade edges for easier, crack-free cutting of fragile materials such as acrylics, styrene plastic, and glass resins. These heat nippers must be used with suitable transformer.

Section of blade

Round type

Flat type

Angle type

HT120

<End cutting type>

Spring Loaded



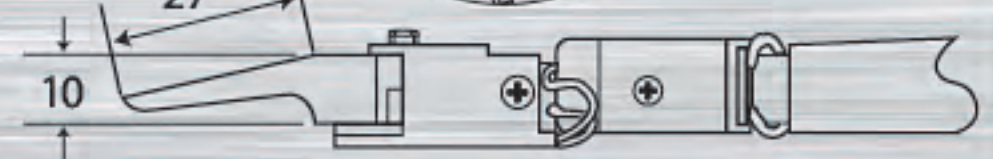
Model	Size (mm)	Weight (g)	Cutting capacity (φmm)	Blade length (mm)	Transformer	Heater
			Plastics			
HT120	150	325	4.0	10	TRF25	W19

HT130

<Long blade type>

Spring Loaded

Flat type



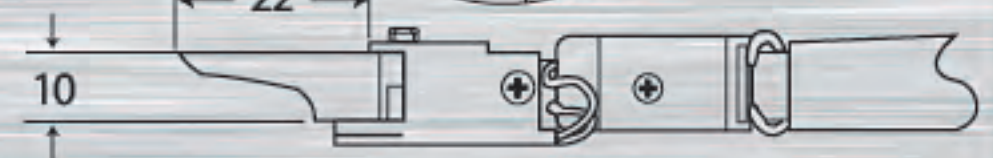
Model	Size (mm)	Weight (g)	Cutting capacity (φmm)	Blade length (mm)	Transformer	Heater
			Plastics			
HT130	165	325	4.0	27	TRF25	W19

HT140

<Flat blade type>

Spring Loaded

Flat type



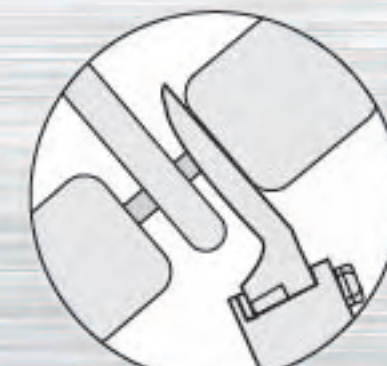
Model	Size (mm)	Weight (g)	Cutting capacity (φmm)	Blade length (mm)	Transformer	Heater
			Plastics			
HT140	160	320	4.0	22	TRF25	W19

HT160

<for cutting narrow spaces>

Spring Loaded

Round type



Model	Size (mm)	Weight (g)	Cutting capacity (φmm)	Blade length (mm)	Transformer	Heater
			Plastics			
HT160	150	305	4.0	16	TRF25	W19

HT170

<Angle blade type>

Spring Loaded

Flat type



Model	Size (mm)	Weight (g)	Cutting capacity (φmm)	Blade length (mm)	Transformer	Heater
			Plastics			
HT170	150	325	4.0	22	TRF25	W19

HEAT NIPPERS FOR CUTTING PLASTICS

Section of blade

Round type

Flat type

Angle type

HT180

<Standard type>

Spring Loaded

Round type



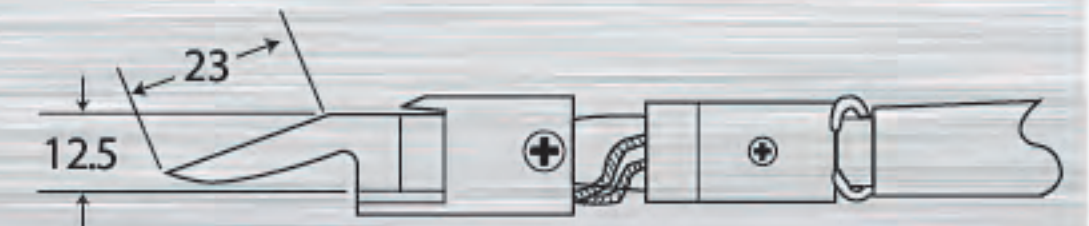
Model	Size (mm)	Weight (g)	Cutting capacity (φmm)		Blade length (mm)	Transformer	Heater
			Plastics				
HT180	190	345	4.0		16	TRF25	W19

HT200

<Heavy-duty type>

Spring Loaded

Round type



Model	Size (mm)	Weight (g)	Cutting capacity (φmm)		Blade length (mm)	Transformer	Heater
			Plastics				
HT200	190	435	7.0		23	TRF25	W29

HT180DX

<with Sensor>

Spring Loaded

Round type



Model	Size (mm)	Weight (g)	Cutting capacity (φmm)		Blade length (mm)	Transformer	Heater
			Plastics				
HT180DX	190	310	4.0		16	TRF100D	W19

TRF25

<100V, 120V, 220V, 240V>

TRF100D



TRF25



TRF100D

Model	Input power	Output power	Length of cord (m)
TRF25	AC100V~240V 50•60HZ	30VA MAX	1.85
TRF100D	AC100V50•60HZ	30VA MAX	1.83

HEATER



W19 <24V-19W>

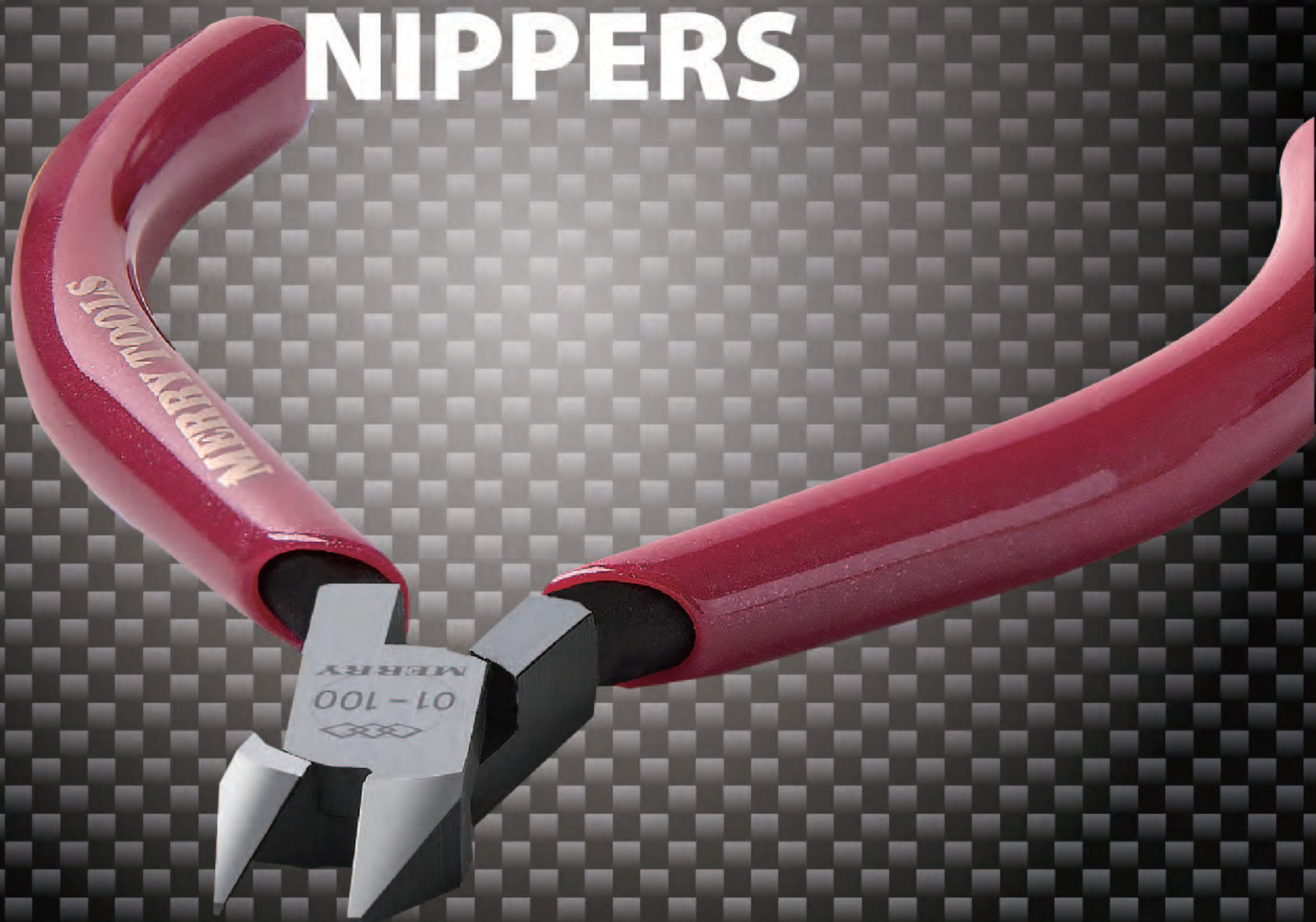
W29 <24V-29W>

Applicable tools	W19	W29
		HT120 • HT130 HT140 • HT160 HT170 • HT180



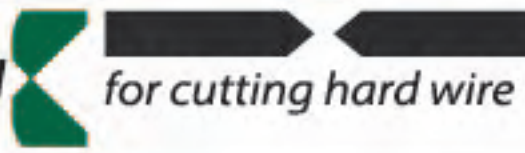
MERRY

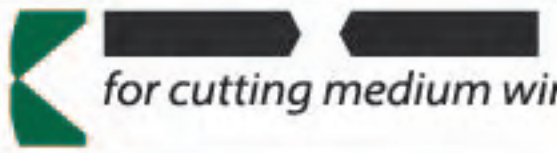
STANDARD PLIERS AND NIPPERS




STANDARD PLIERS AND NIPPERS

Blade shape

Standard  for cutting hard wire

Semi-flush  for cutting medium wire

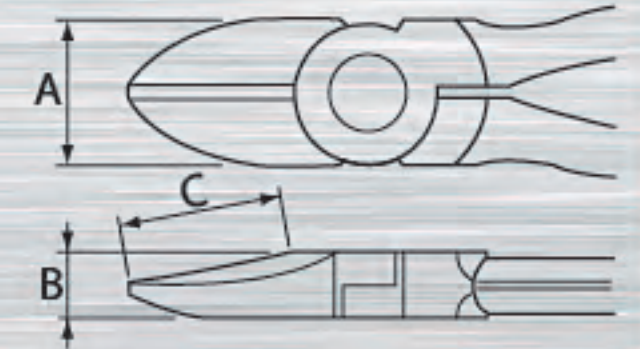
Full-flush  for cutting soft wire only or plastic, gate and sprue

L30

Long handle cutting nippers

Spring Loaded

Semi-flush 



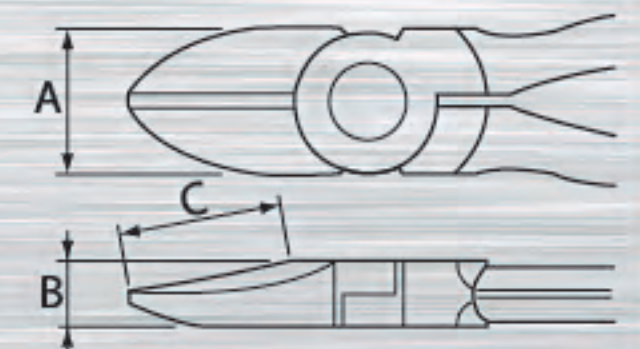
Model	Size (mm)	Dimensions(mm)			Weight (g)	Cutting capacity (φmm)	
		A	B	C		Steel wire	Copper wire
L30	190	17.0	9.0	19.0	165	1.2	2.0

L40

Long handle plastics cutting nippers

Spring Loaded

Flat type 

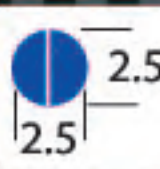


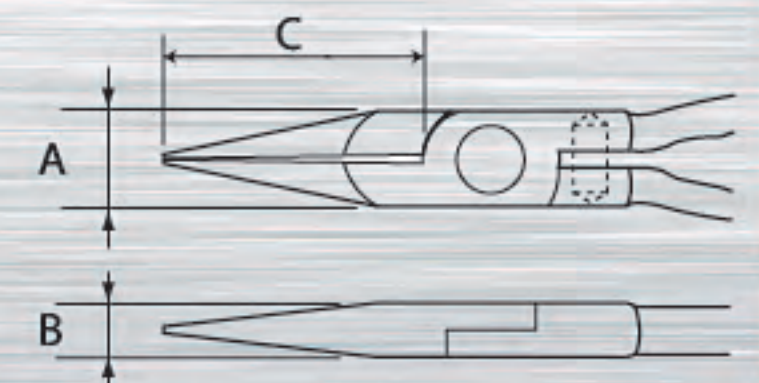
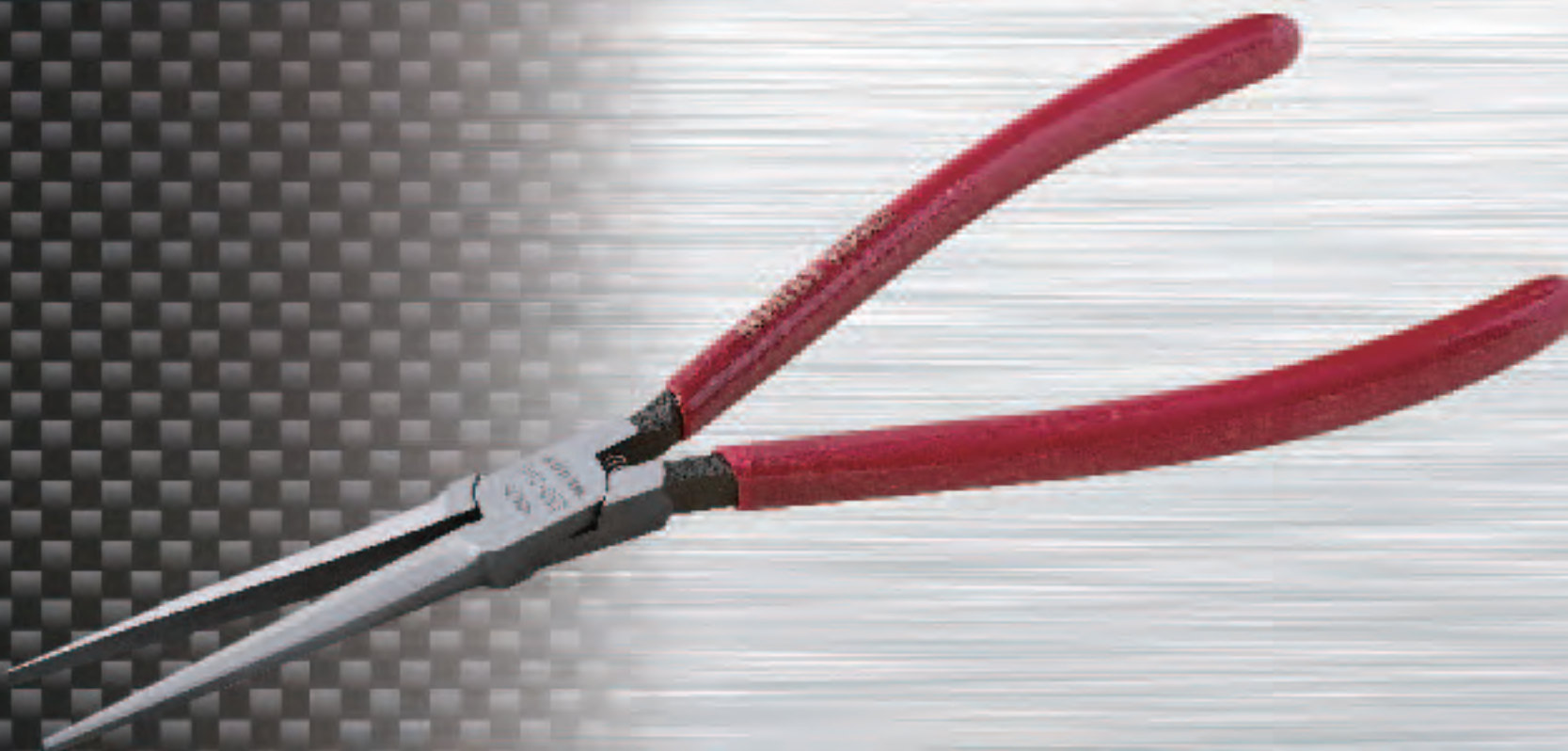
Model	Size (mm)	Dimensions(mm)			Weight (g)	Cutting capacity (φmm)
		A	B	C		Plastics
L40	190	17.0	9.0	19.0	175	5.0

L50

Long handle needle pliers

Spring Loaded

 2.5

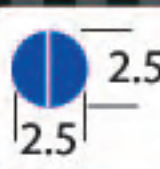


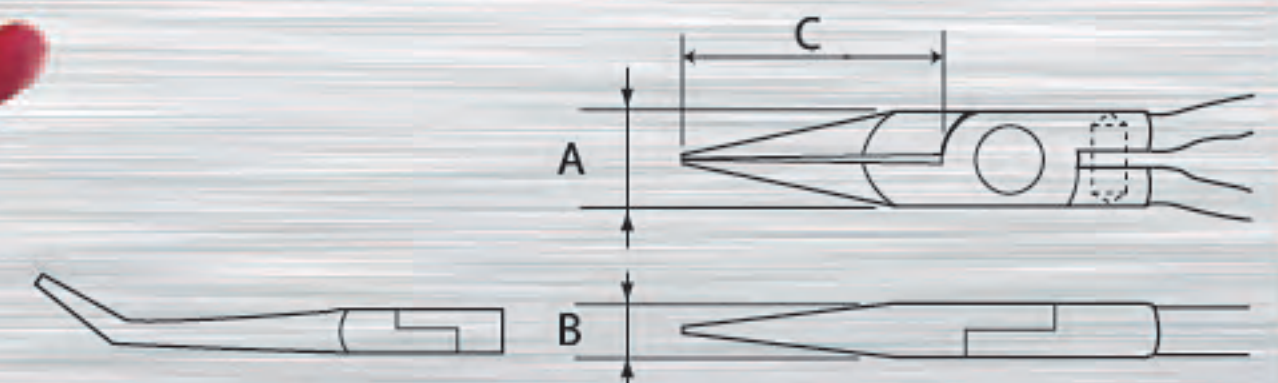
Model	Size (mm)	Dimensions(mm)			Weight (g)
		A	B	C	
L50	200	12.0	7.5	55.0	145

L60

Long handle bent nose pliers

Spring Loaded

 2.5

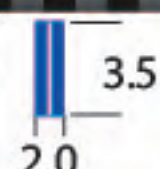


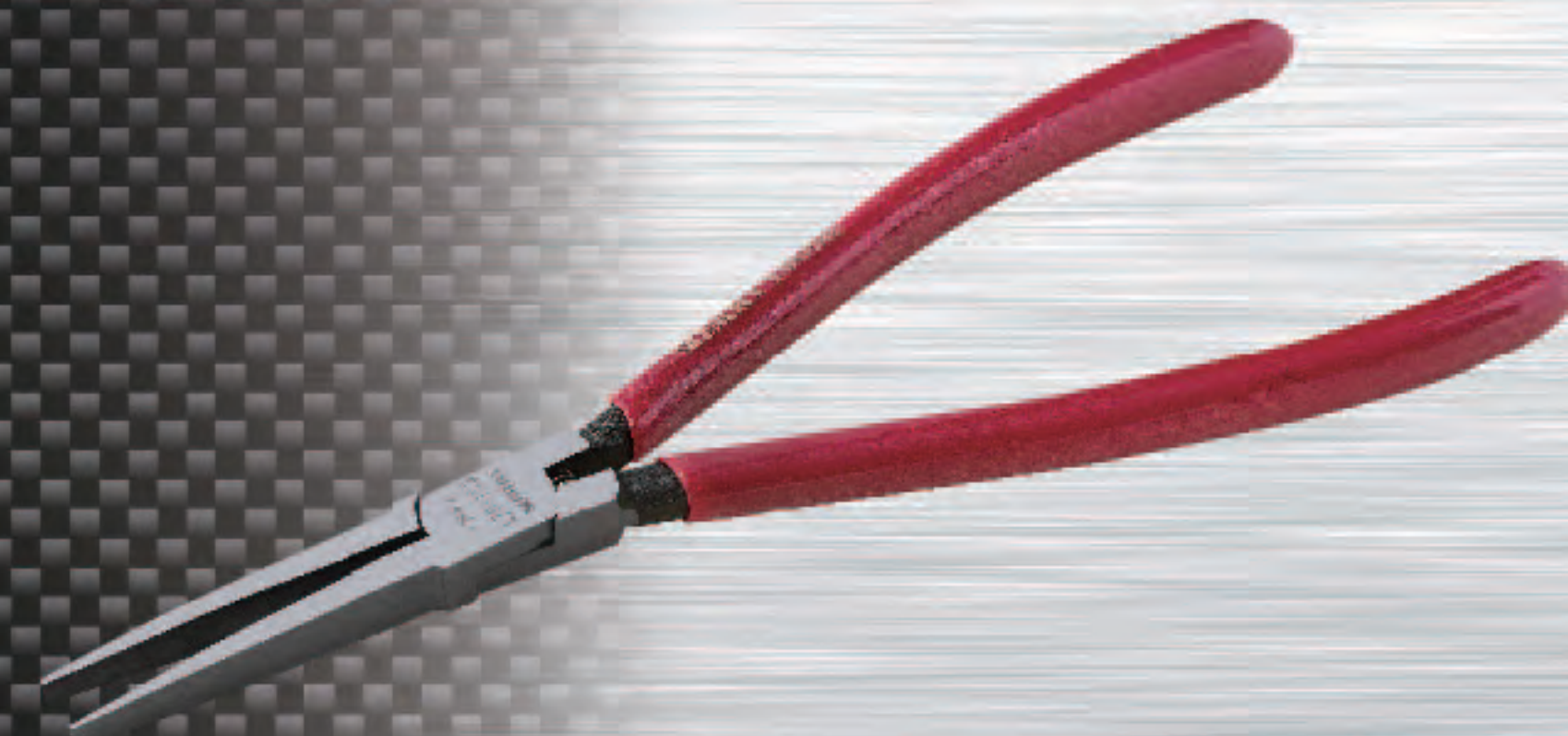
Model	Size (mm)	Dimensions(mm)			Weight (g)
		A	B	C	
L60	200	12.0	7.5	53.0	145

L70

Long handle flat nose pliers

Spring Loaded

 3.5



Model	Size (mm)	Dimensions(mm)			Weight (g)
		A	B	C	
L70	185	11.5	7.0	42.0	130

STANDARD PLIERS AND NIPPERS

Section of blade

Round type

Flat type

Angle type

Blade shape

Semi-flush

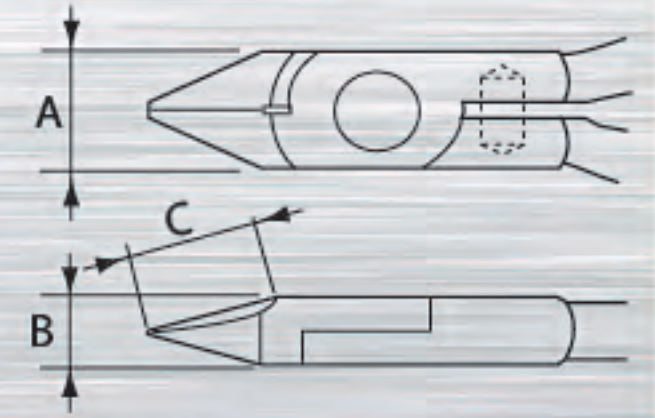
for cutting medium wire

01

Miniature nippers

Spring Loaded

Semi-flush



Model	Size (mm)	Dimensions(mm)			Weight (g)	Cutting capacity (φmm)	
		A	B	C		Steel wire	Copper wire
01	100	9.5	6.0	8.5	50	0.5	0.8

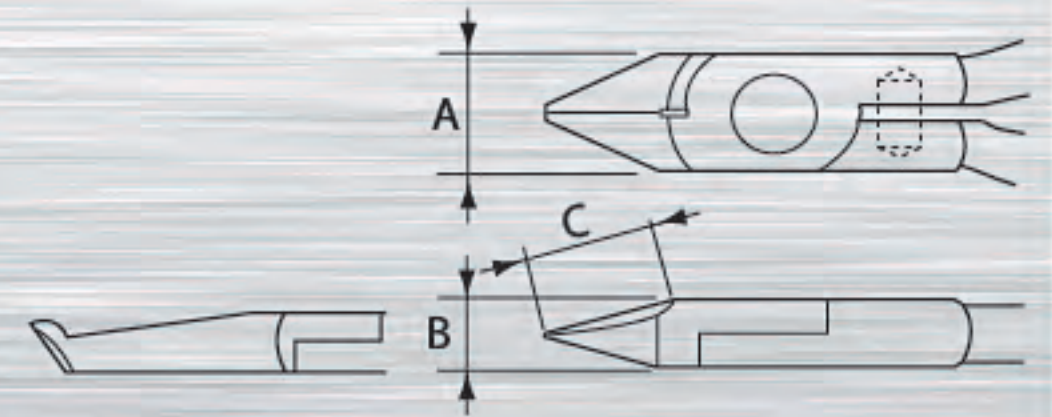
02

Miniature nippers

<Tip edge type>

Spring Loaded

Semi-flush



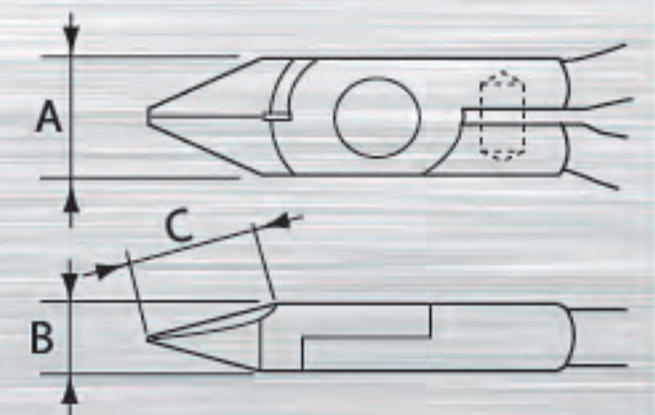
Model	Size (mm)	Dimensions(mm)			Weight (g)	Cutting capacity (φmm)	
		A	B	C		Steel wire	Copper wire
02	125	11.5	7.5	6.5	65	0.5	0.8

03

Miniature nippers

Spring Loaded

Semi-flush



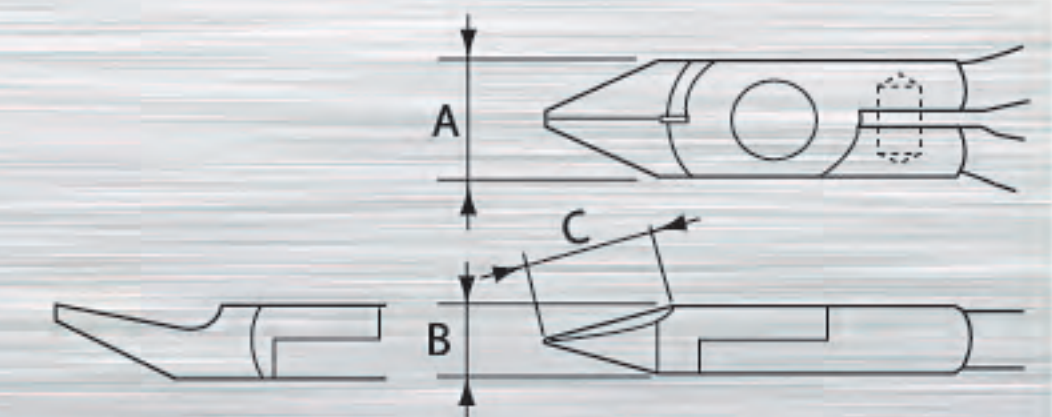
Model	Size (mm)	Dimensions(mm)			Weight (g)	Cutting capacity (φmm)	
		A	B	C		Steel wire	Copper wire
03	100	10.5	7.0	11.0	55	0.5	0.8

04

Miniature nippers

Spring Loaded

Semi-flush



Model	Size (mm)	Dimensions(mm)			Weight (g)	Cutting capacity (φmm)	
		A	B	C		Steel wire	Copper wire
04	100	10.5	7.0	10.0	55	0.5	0.8

05

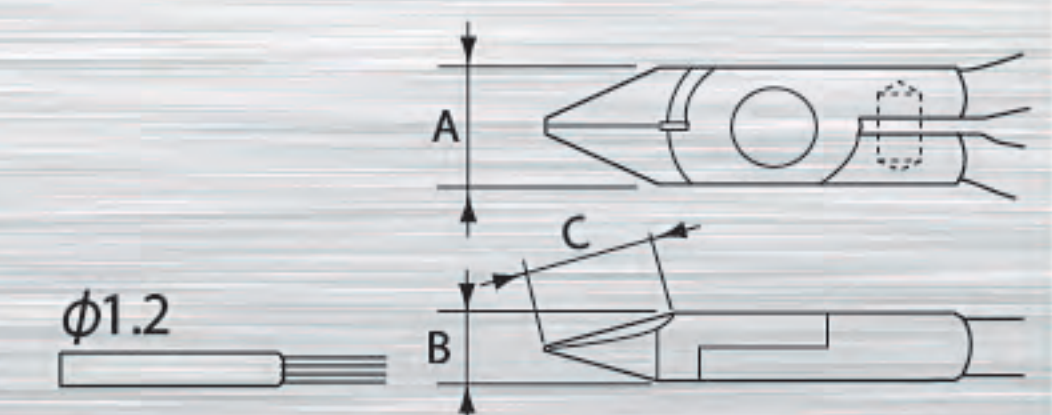
Miniature nippers

<with stripping hole>

Spring Loaded

Semi-flush

Stripping hole



Model	Size (mm)	Dimensions(mm)			Weight (g)	Cutting capacity (φmm)	
		A	B	C		Steel wire	Copper wire
05	100	10.5	7.0	11.0	55	0.5	0.8

STANDARD PLIERS AND NIPPERS

Section of blade

Round type

Flat type

Angle type

Blade shape

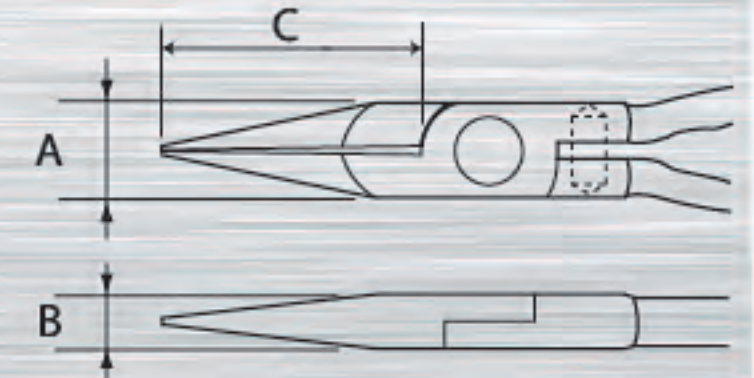
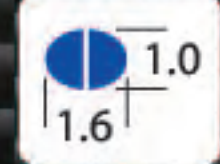
Semi-flush

for cutting medium wire

06

Miniature needle pliers

Spring Loaded

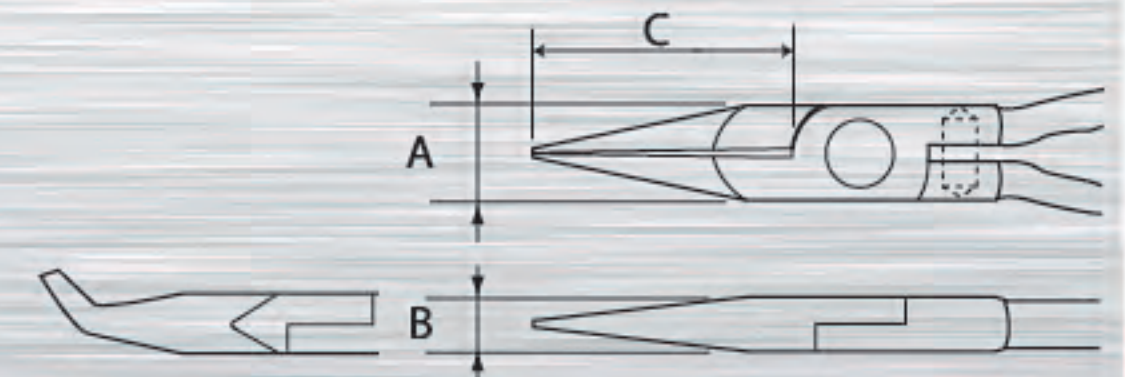


Model	Size (mm)	Dimensions(mm)			Weight (g)
		A	B	C	
06	110	9.5	6.0	23.0	55

07

Miniature bent nose pliers

Spring Loaded

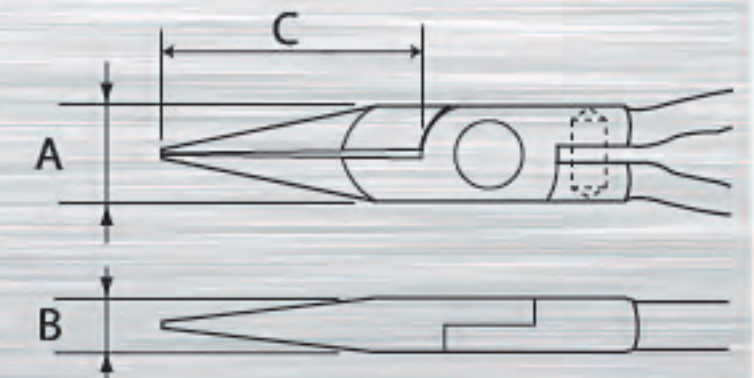
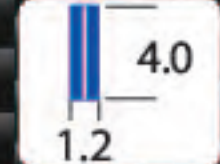


Model	Size (mm)	Dimensions(mm)			Weight (g)
		A	B	C	
07	110	9.5	5.5	21.0	55

08

Miniature flat nose pliers

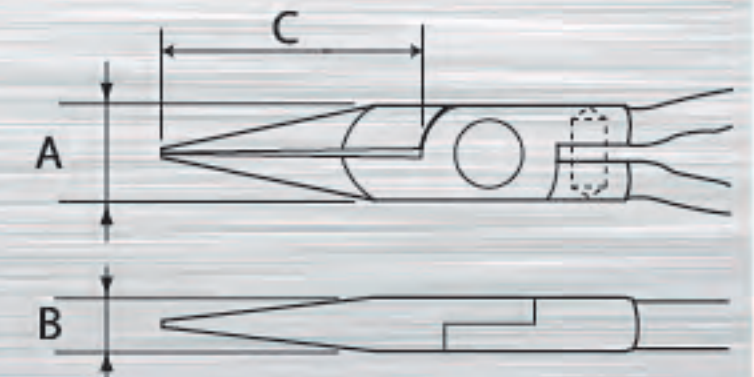
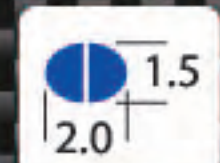
Spring Loaded



Model	Size (mm)	Dimensions(mm)			Weight (g)
		A	B	C	
08	110	9.5	6.0	22.0	55

09

Miniature semi needle pliers



Model	Size (mm)	Dimensions(mm)			Weight (g)
		A	B	C	
09	120	11.0	7.5	32.0	70

STANDARD PLIERS AND NIPPERS

Section of blade

Round type

Flat type

Angle type

Blade shape

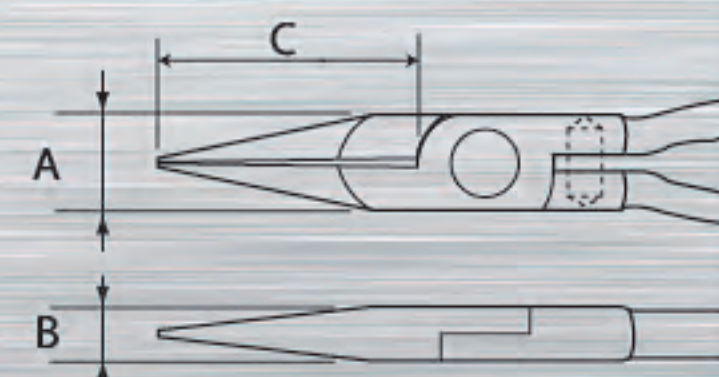
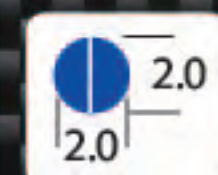
Semi-flush

for cutting medium wire

M10

Miniature long needle pliers

Spring Loaded

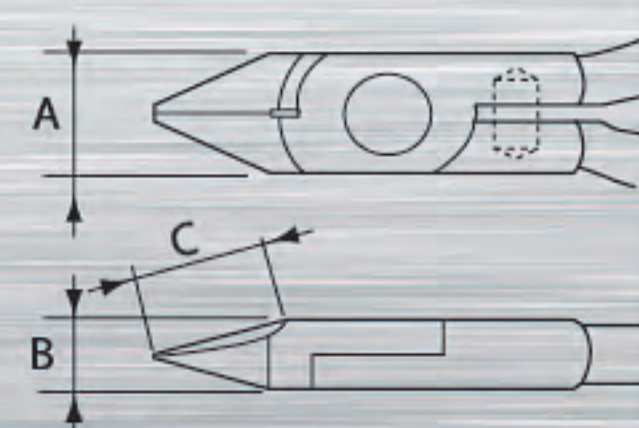
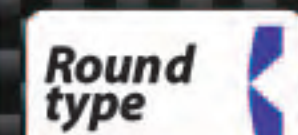


Model	Size (mm)	Dimensions(mm)			Weight (g)
		A	B	C	
M10	150	12.0	7.0	58.0	80

M11

Miniature plastic cutting nippers

Spring Loaded

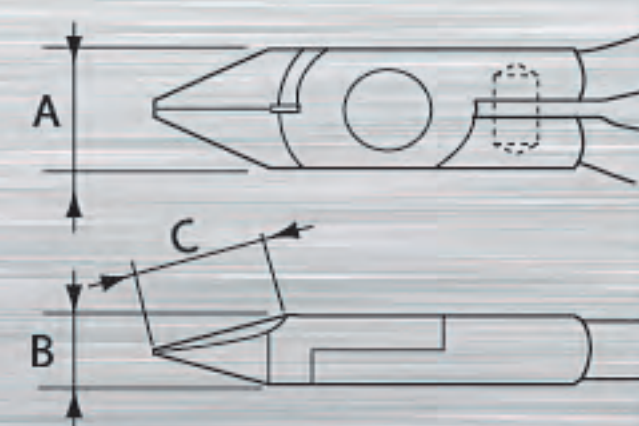
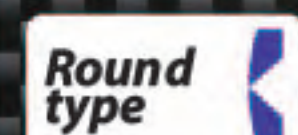


Model	Size (mm)	Dimensions(mm)			Weight (g)	Cutting capacity (φmm) Plastics
		A	B	C		
M11	125	14.0	8.0	15.0	85	3.0

M12

Miniature plastic cutting nippers

Spring Loaded

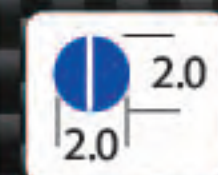


Model	Size (mm)	Dimensions(mm)			Weight (g)	Cutting capacity (φmm) Plastics
		A	B	C		
M12	125	12.5	8.5	12.0	85	3.0

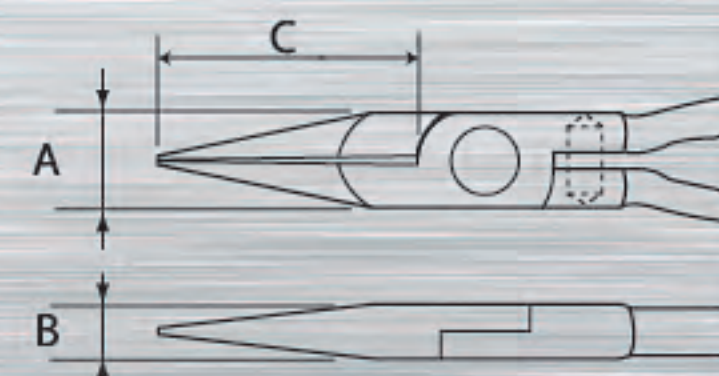
M13

Miniature needle pliers

Spring Loaded



Serrated



Model	Size (mm)	Dimensions(mm)			Weight (g)
		A	B	C	
M13	140	12.0	7.0	47.0	75

STANDARD PLIERS AND NIPPERS

Section of blade

Round type

Flat type

Angle type

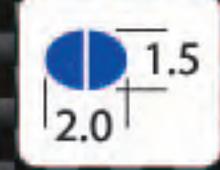
Blade shape

Semi-flush for cutting medium wire

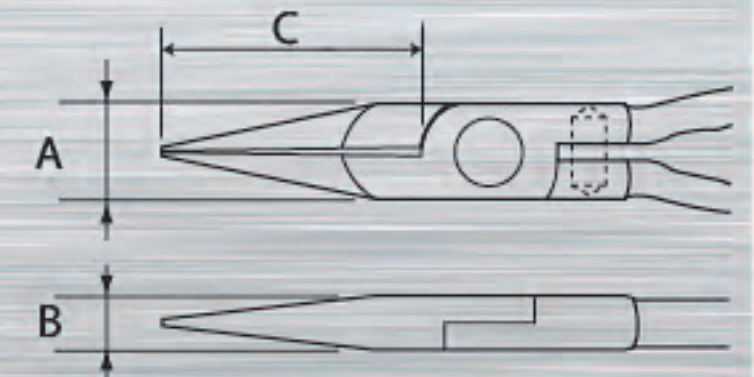
M14

Miniature side cutting pliers

Spring Loaded



Serrated

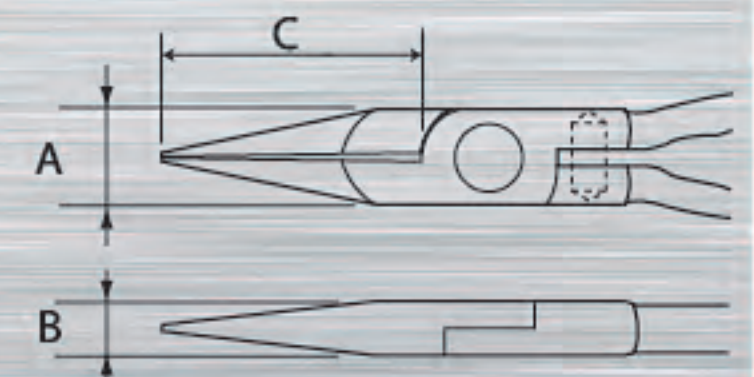
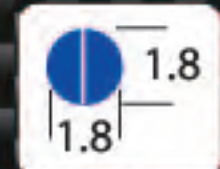


Model	Size (mm)	Dimensions(mm)			Weight (g)	Cutting capacity (φmm)	
		A	B	C		Steel wire	Copper wire
M14	130	13.5	8.0	37.0	80	1.2	2.0

M15

Miniature chain nose pliers

Spring Loaded



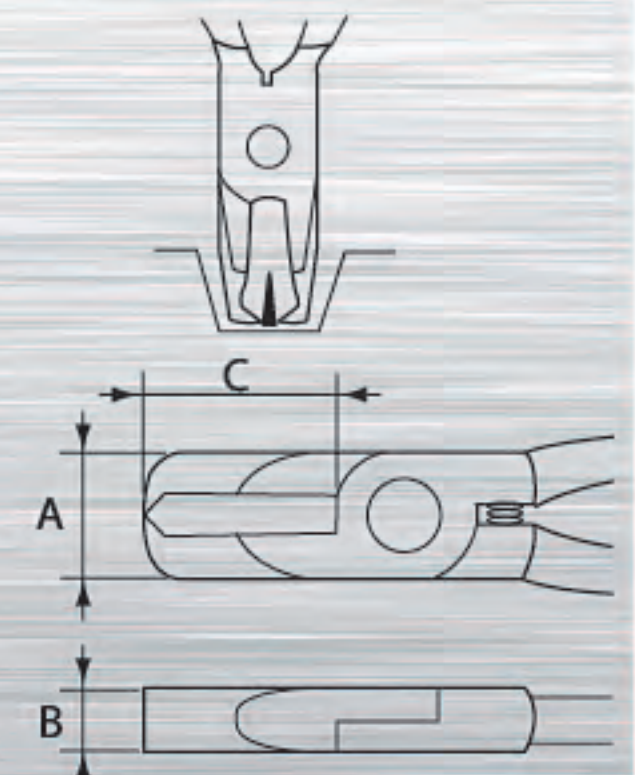
Model	Size (mm)	Dimensions(mm)			Weight (g)
		A	B	C	
M15	125	12.0	7.5	30.0	80

M16

Miniature end cutting nippers

Spring Loaded

Semi-flush



Model	Size (mm)	Dimensions(mm)			Weight (g)	Cutting capacity (φmm)	
		A	B	C		Steel wire	Copper wire
M16	115	12.0	7.0	21.0	65	0.5	0.8



MERRY

**CLIP PLIERS
SNAP RING PLIERS**

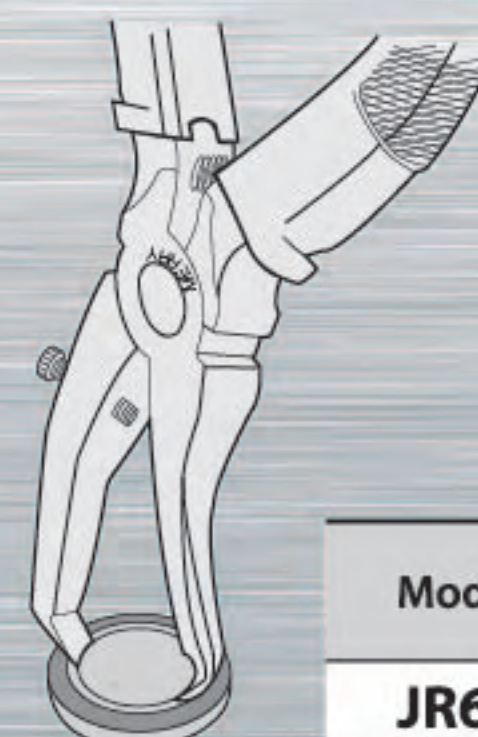
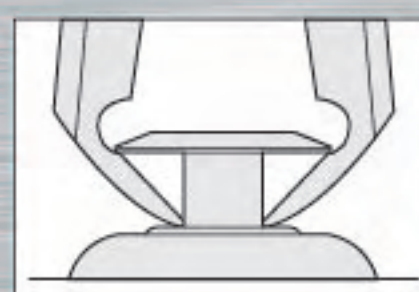


CLIP PLIERS

JR60

<for automotive garage>

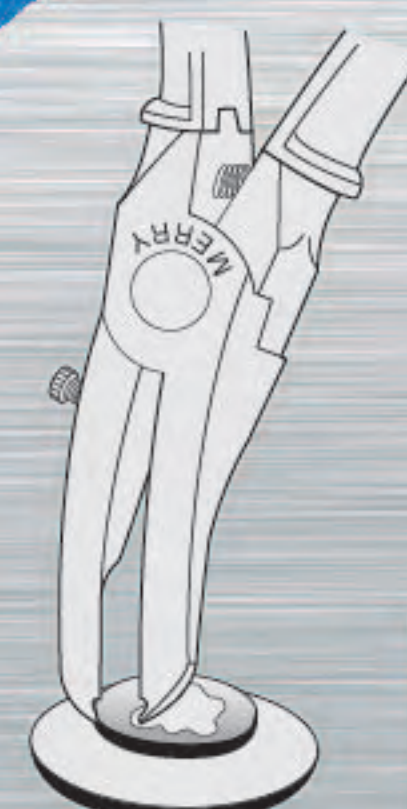
Spring Loaded



Model	Size (mm)	Weight (g)
JR60	155	160

JR80

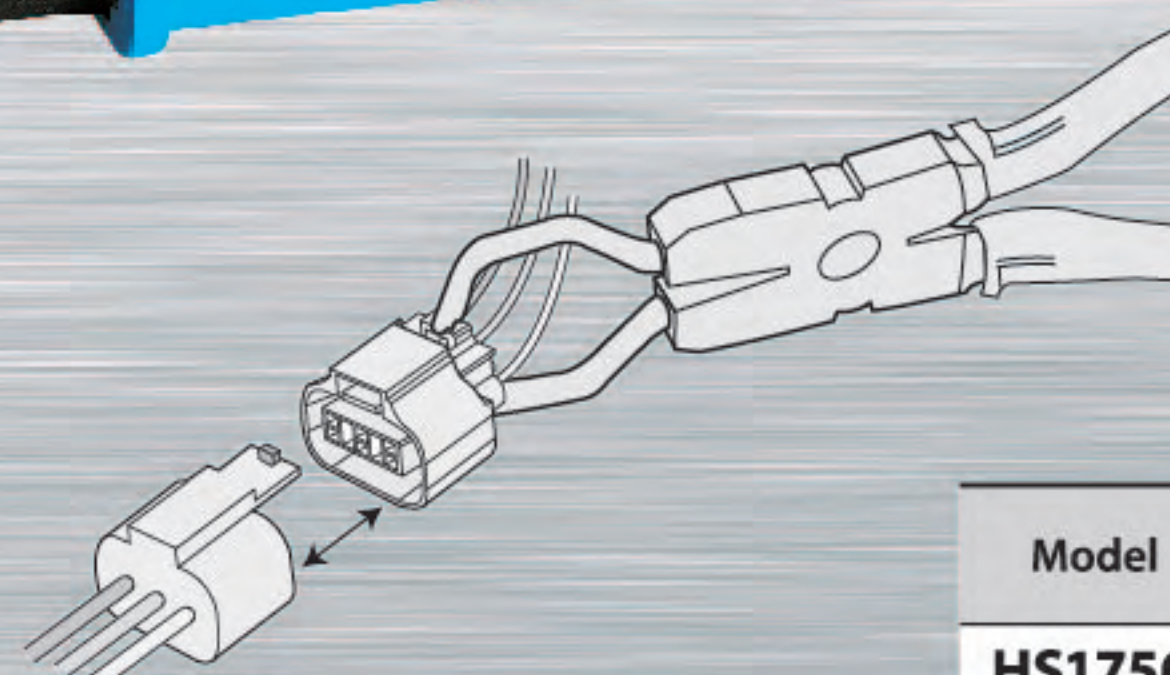
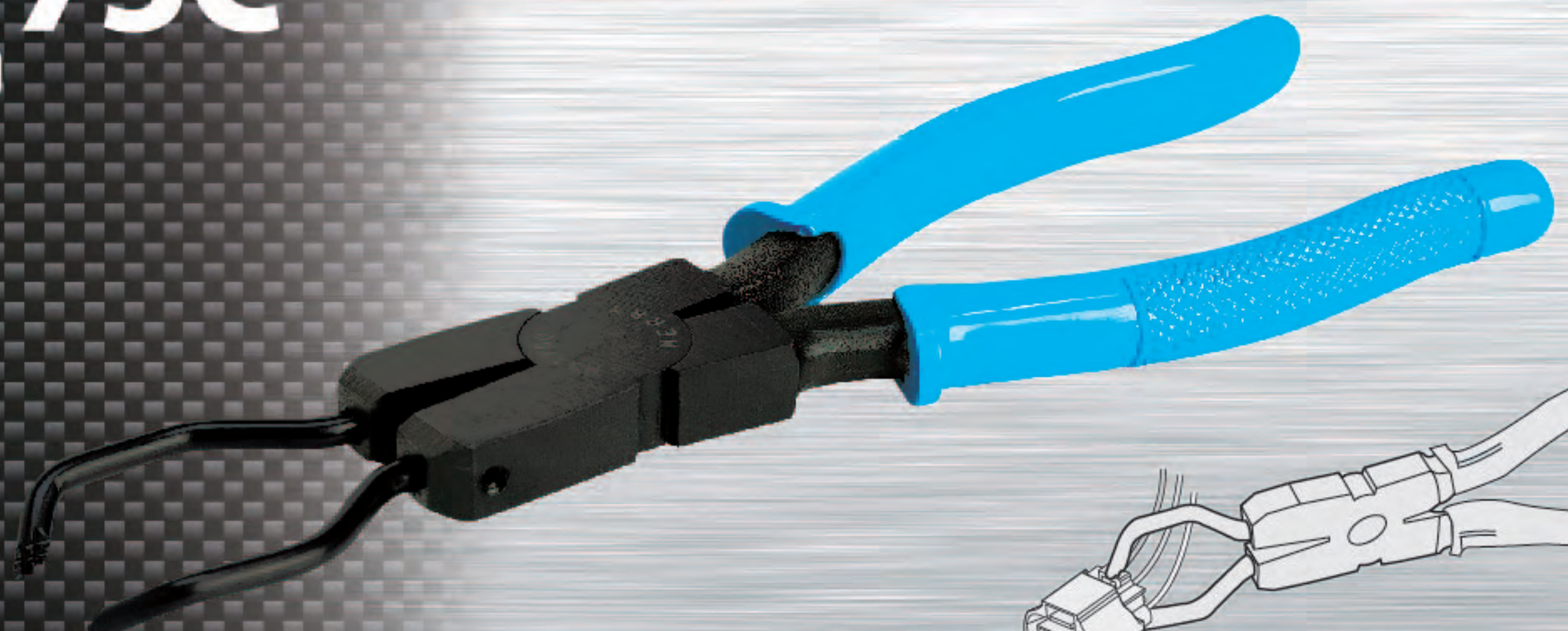
Spring Loaded



Model	Size (mm)	Weight (g)
JR80	155	130

HS175C

Spring Loaded



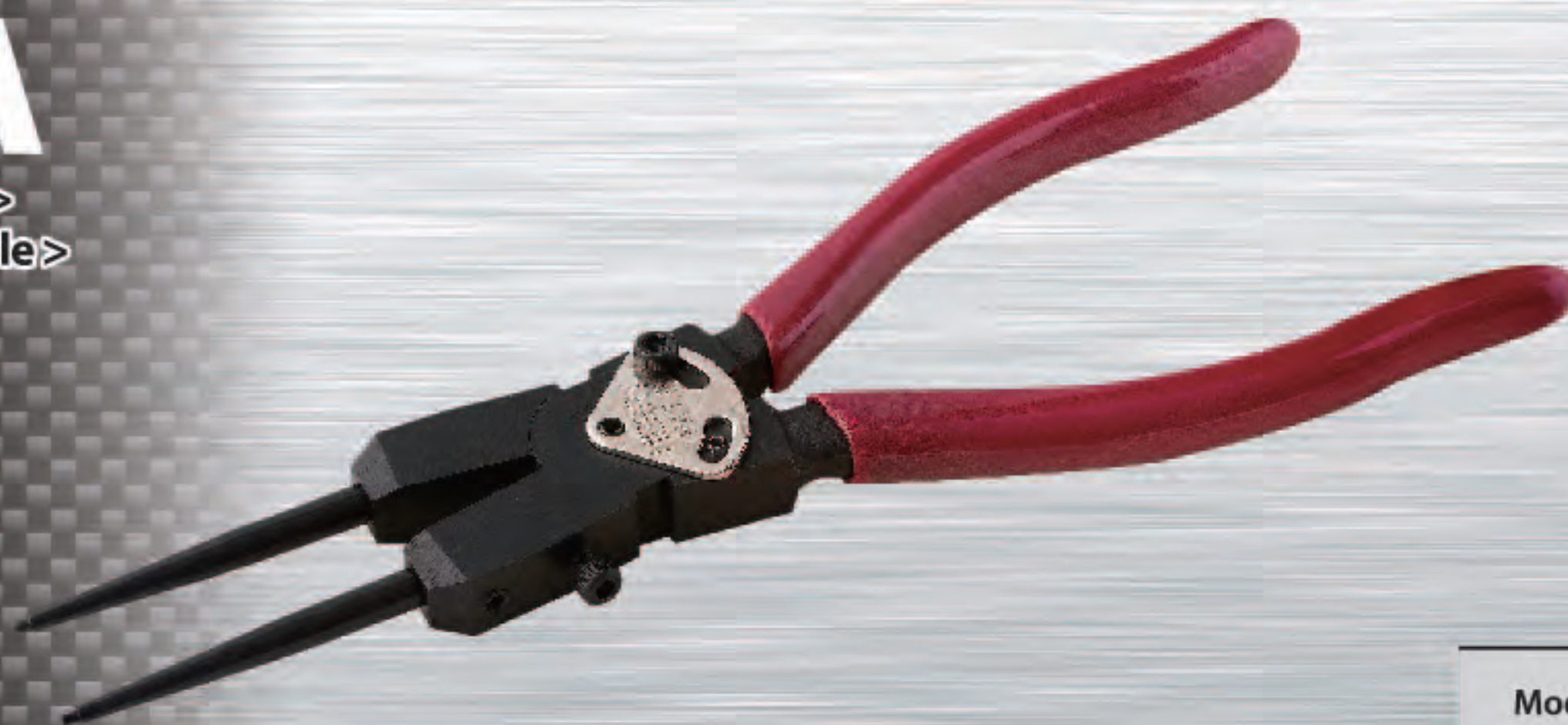
Model	Size (mm)	Weight (g)
HS175C	190	220

SNAP RING PLIERS

HS175A

<Adjustable for setting gap>
<with straight pin (3set) for hole>

Spring Loaded

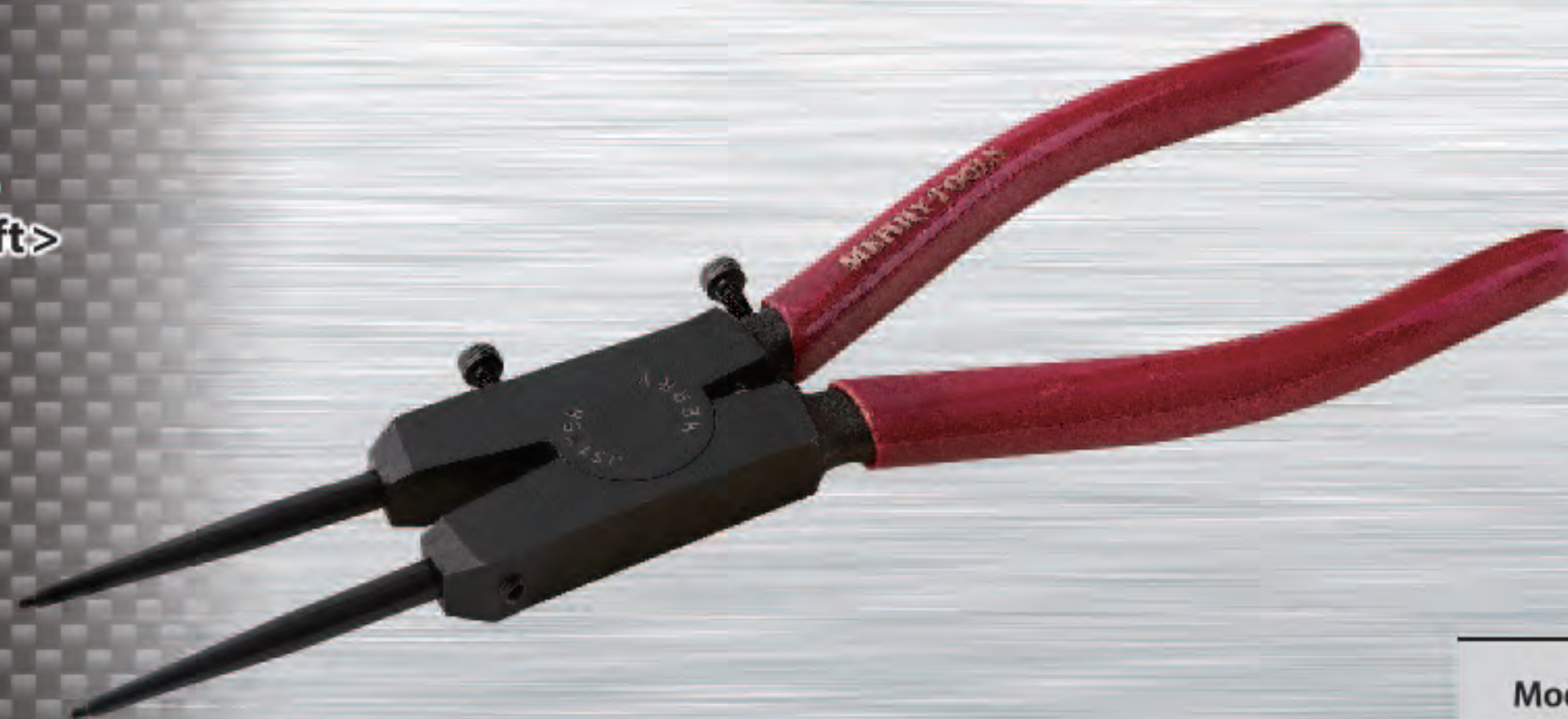


Model	Size (mm)	Weight (g)
HS175A	200	235

JS175A

<Adjustable for setting gap>
<with straight pin (3set) for shaft>

Spring Loaded

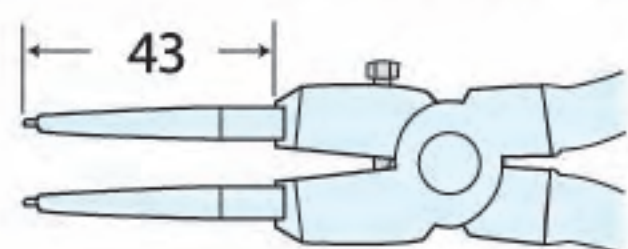


Model	Size (mm)	Weight (g)
JS175A	200	240

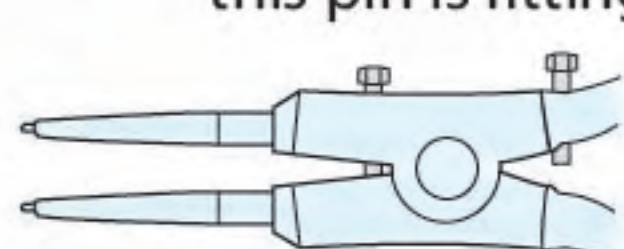
Standard accessory pin (With 2 types of pin spanners)

Standard accessory parts (HS175A and JS175A)

For deep depth (tip ϕ 1.5) ● When opened, this pin is fitting

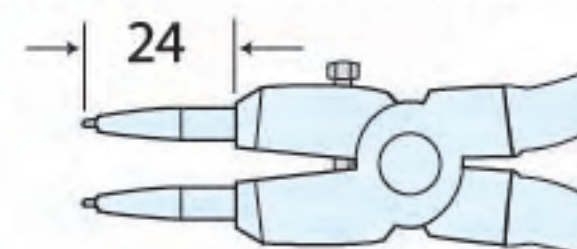


Applicable rings
(For Internal Snap Rings)
 ϕ 12~ ϕ 30

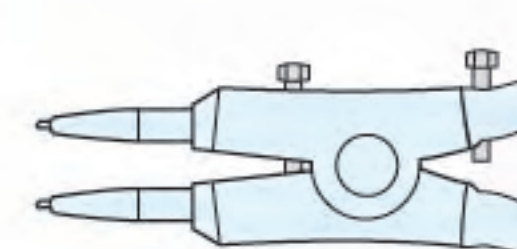


Applicable rings
(For External Snap Rings)
 ϕ 12~ ϕ 30

For middle (tip ϕ 1.5)

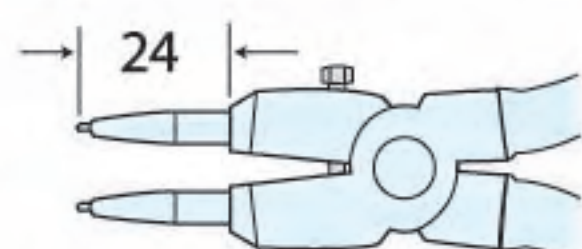


Applicable rings
(For Internal Snap Rings)
 ϕ 12~ ϕ 18

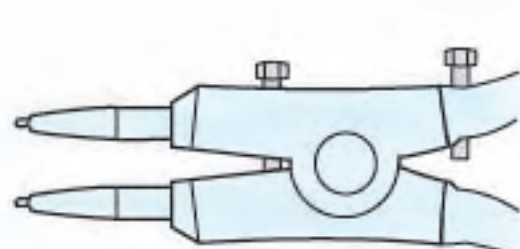


Applicable rings
(For External Snap Rings)
 ϕ 12~ ϕ 18

For small (tip ϕ 1.2)



Applicable rings
(For Internal Snap Rings)
 ϕ 10~ ϕ 11



Applicable rings
(For External Snap Rings)
 ϕ 6~ ϕ 11

SNAP RING PLIERS

JC175B

<Adjustable for setting gap>
<with straight pin (5set) for shaft>

Spring Loaded



Model	Size (mm)	Weight (g)
JC175B	190	260

HC175B

<Adjustable for setting gap>
<with straight pin (5set) for shaft>

Spring Loaded



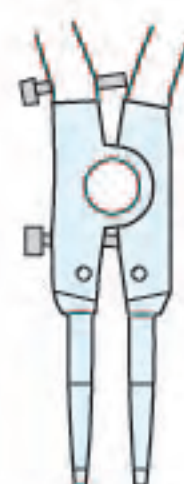
Model	Size (mm)	Weight (g)
HC175B	190	255

Standard accessory pin

Standard accessory parts (JC175B and HC175B)

Model	Tip diameter	Pin length (pin only)	Pin length (Fitted)
Deep depth pin	φ1.5	58	43
Long pin	φ1.8~φ2.5	56	41
Small pin	φ1.2	39	24
Middle pin	φ1.5	39	24
Pins for HS and JS	φ2.0	36	21
Pin-Wrench (2 types) 2mm • 2.5mm			

By using the accessory long pin (tip φ1.8), the snap ring of the pulley bearing can be removed without having to remove the radiator and compressor body. (This may not be possible on some car models.)

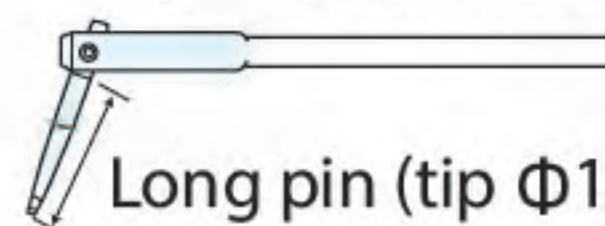


When removing and installing the motor antenna, insert the tip pin into the hole-type set screw hole (A) and lock both adjusting screws to ensure that the set screws can be tightened back.



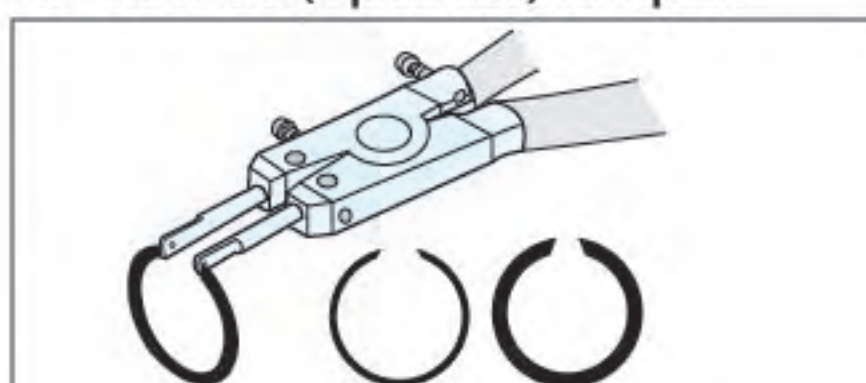
(A) Hole set screw holes in motor antenna

Can be used as a diagonal pin by inserting the pin into the hole at the end of the body.



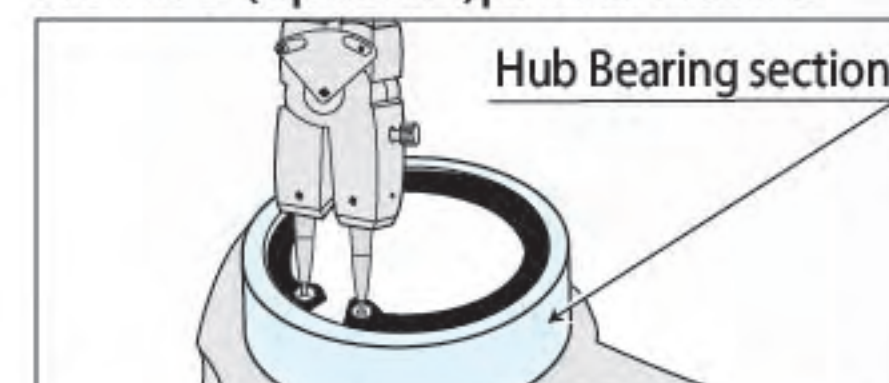
Long pin (tip φ1.8)

For JC175B (optional) flat pins



The use of flat pins allows snap rings without holes or notches to be detached.

HC175B (optional) pin for Honda



The snap ring in the hub bearing section of Honda vehicles can be removed and fitted.



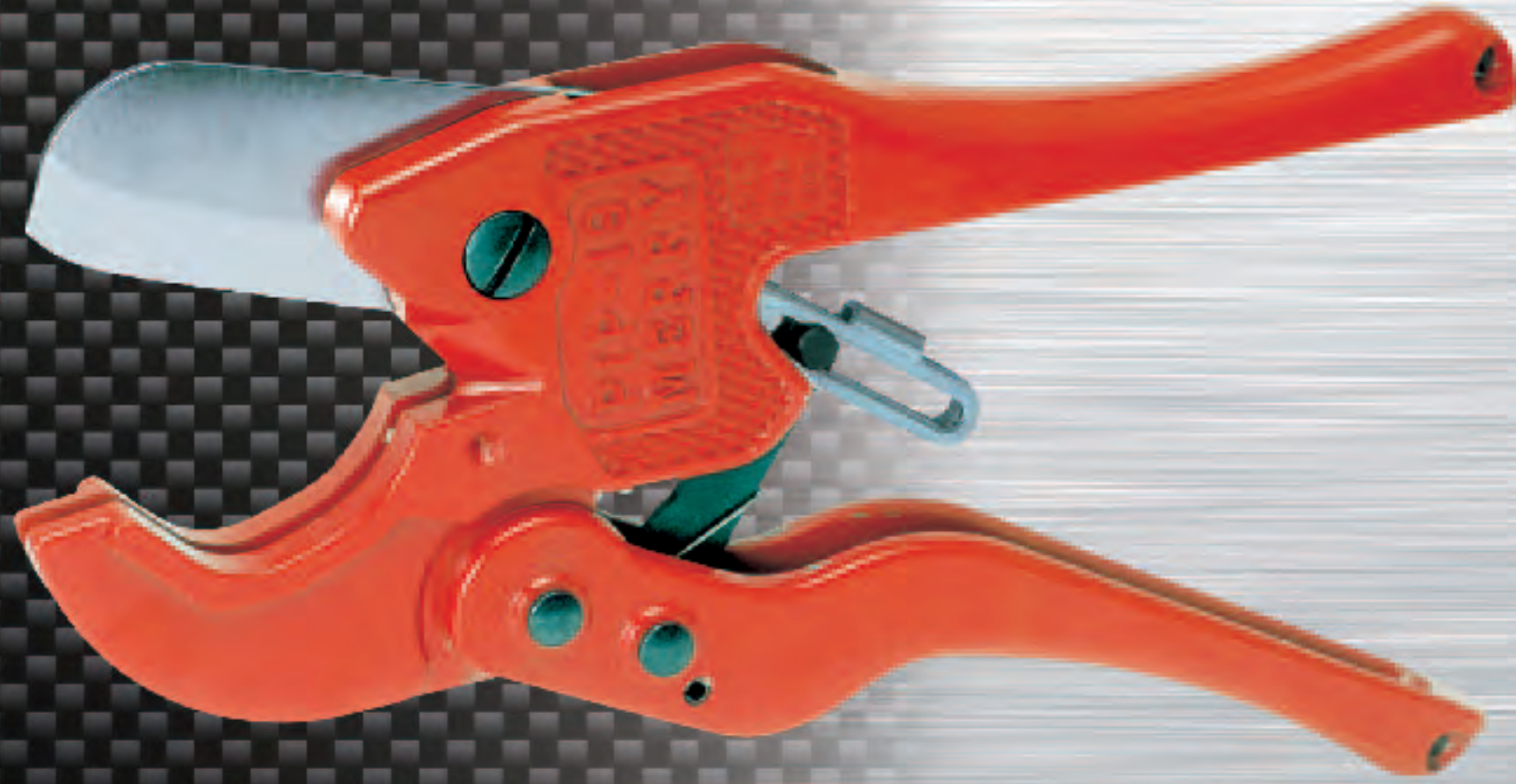
MERRY

PLASTIC PIPE CUTTERS



PLASTIC PIPE CUTTERS

PIP19



Possible to cut plastic surface raceway at any desired angle with an attachment installed.



AT-PIP19



Model	Overall length (mm)	Weight (g)	Cutting capacity (φmm)	Blade
PIP19	217	455	42	P18Z

PIP42



Stopper

Release Lever

Blade can be locked with Stopper when off-work for security. Blade-opening by pushing Release Lever down.

Possible to cut plastic surface raceway at any desired angle with an attachment installed.



AT-PIP42



Blade:P42

Model	Overall length (mm)	Weight (g)	Cutting capacity (φmm)	Blade
PIP42	220	340	42	P42

PIP63



Light weight design (480g), Easy to grasp grip.



Model	Overall length (mm)	Weight (g)	Cutting capacity (φmm)	Blade
PIP63	277	490	PVC pipe 42 / VP pipe 30 VW pipe 30 / VE pipe 36	P63

PLASTIC PIPE CUTTERS

FL38N



Light in weight and compact in design for comfortable one-hand operation.



Model	Overall length (mm)	Weight (g)	Cutting capacity (φmm)	Blade
FL38N	225	170	Reinforced flexible conduits up to φ38mm o.d.	FP38

FL50



Light in weight and compact in design for comfortable one-hand operation.



Model	Overall length (mm)	Weight (g)	Cutting capacity (φmm)	Blade
FL50	250	475	Reinforced flexible conduits up to φ55mm o.d.	FP50

MC80

< for water piping service >



Suitable for cutting plumbing materials such as bridge polyethylene tube and CD tube especially for water supply or hot water supply construction.



Silicon hose (up to φ34)



CD tube (up to φ34)



Bridge polyethylene tube (up to φ34)



Protector



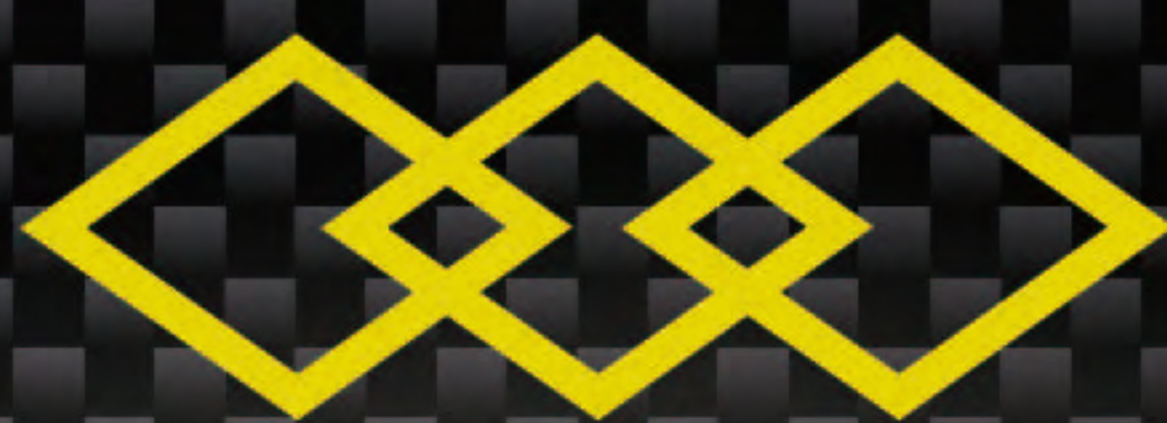
Holding space can be adjusted through adjusting Screw up to Max, width of 18mm.



Holding space can be adjusted through adjusting Screw up to Max, width of 18mm.



Model	Overall length (mm)	Weight (g)	Blade
MC80	233	255	C80



MERRY

**DUCT AND MOULD
CUTTERS
MERRY CUTTERS**



DUCT AND MOULD CUTTERS/ MERRY CUTTERS

SX5

Designed for one-hand operation.
Suitable for soft materials.

< Slim type >



Model	Overall length (mm)	Weight (g)	Blade length (mm)	Blade	Plastic plate
SX5	195	170	53	X5	PB-SX5-5P

SX7

< Ratchet type >



Cutting of cable protector



3-step ratchet mechanism

Model	Overall length (mm)	Weight (g)	Blade length (mm)	Blade	Plastic plate
SX7	230	245	65	X7	PB-SX7-5P

SX10

Cutting nylon hose, rubber hose, soft cable wire,
plastic channel, leather belt, etc

< Heavy-duty type >



AT-SX10

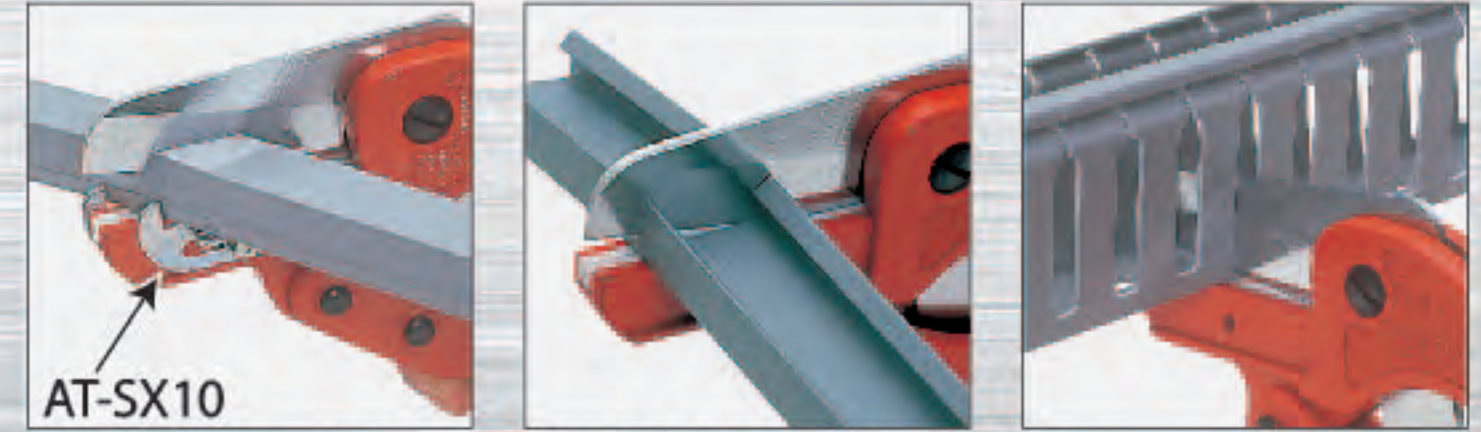
Cutting of plastic protector

Model	Overall length (mm)	Weight (g)	Blade length (mm)	Blade	Plastic plate
SX10	210	380	65	X10	PB-SX10-5P

DUCT AND MOULD CUTTERS/ MERRY CUTTERS

SX15

< Standard type >



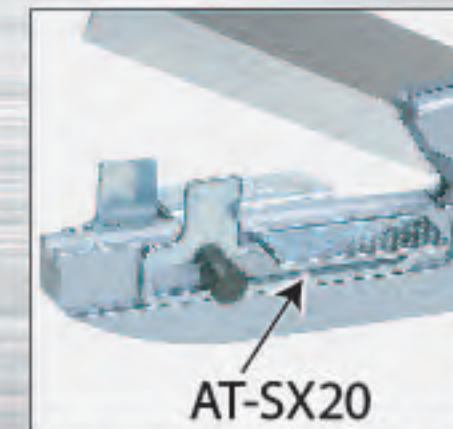
AT-SX10
Possible to cut plastic surface protector at any desired angle with an optional attachment installed.

Plastic duct and duct cover

Model	Overall length (mm)	Weight (g)	Blade length (mm)	Blade	Plastic plate
SX15	210	395	65	X15	PB-SX15-5P

SX20

< Long blade type >



AT-SX20
An attachment is available, for right and 45° angle cutting. (Standard accessory)

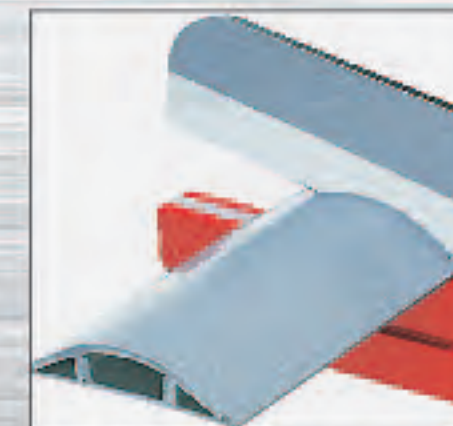
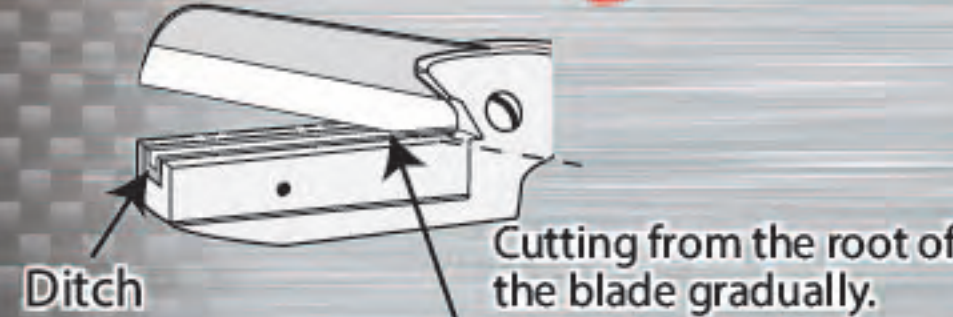


Cutting of nylon hoses

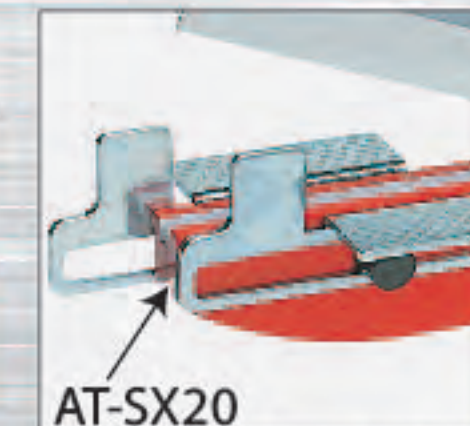
Model	Overall length (mm)	Weight (g)	Blade length (mm)	Blade	Plastic plate
SX20	285	685	110	X20	PB-SX20-5P

SX25

< Long blade type >



Cutting flat and wide cable protector.



AT-SX20
An attachment is available, for right and 45° angle cutting. (standard accessory)



Cutting plastic duct of up to 80mm in width.

Model	Overall length (mm)	Weight (g)	Blade length (mm)	Blade	Plastic plate
SX25	285	685	110	X25	PB-SX25-5P

Examples of subjects for cutting



■ Protector



■ Nylon hose



■ Electric wire (Twisted wire)



■ Tree branch



■ Plastic cable protector

DUCT AND MOULD CUTTERS/ MERRY CUTTERS

Section of blade

Round type

Flat type

Angle type

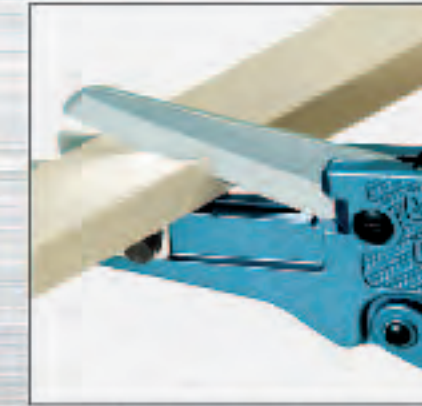
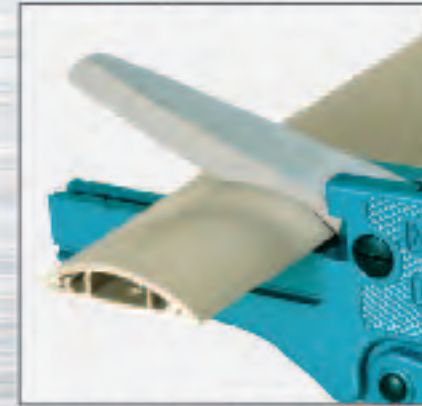
DX80

< Ratchet type >



AT-DX71

3-step ratcheting



Cutting cable protector An attachment is available, for right and 45° angle cutting.(standard accessory)
Cutting plastic duct of up to 80mm in width

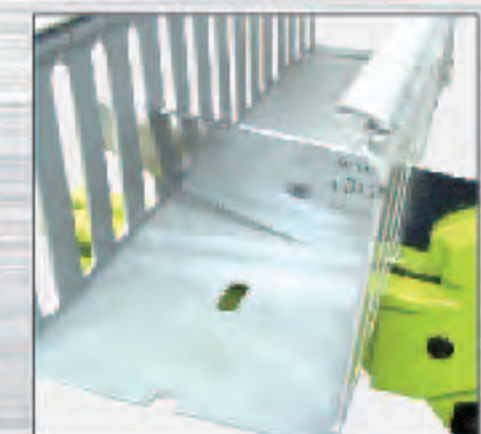
Model	Overall length (mm)	Weight (g)	Blade length (mm)	Blade
DX80	255	470	92	X80

LDC110

< Long duct cutter >



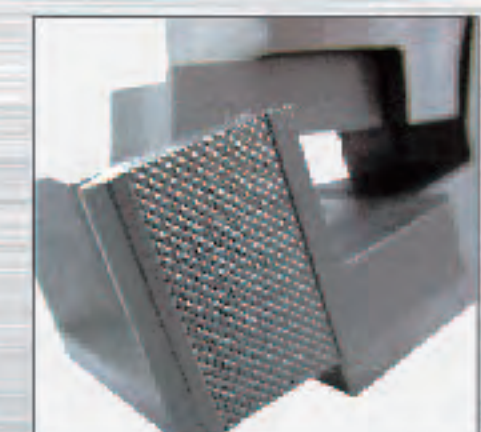
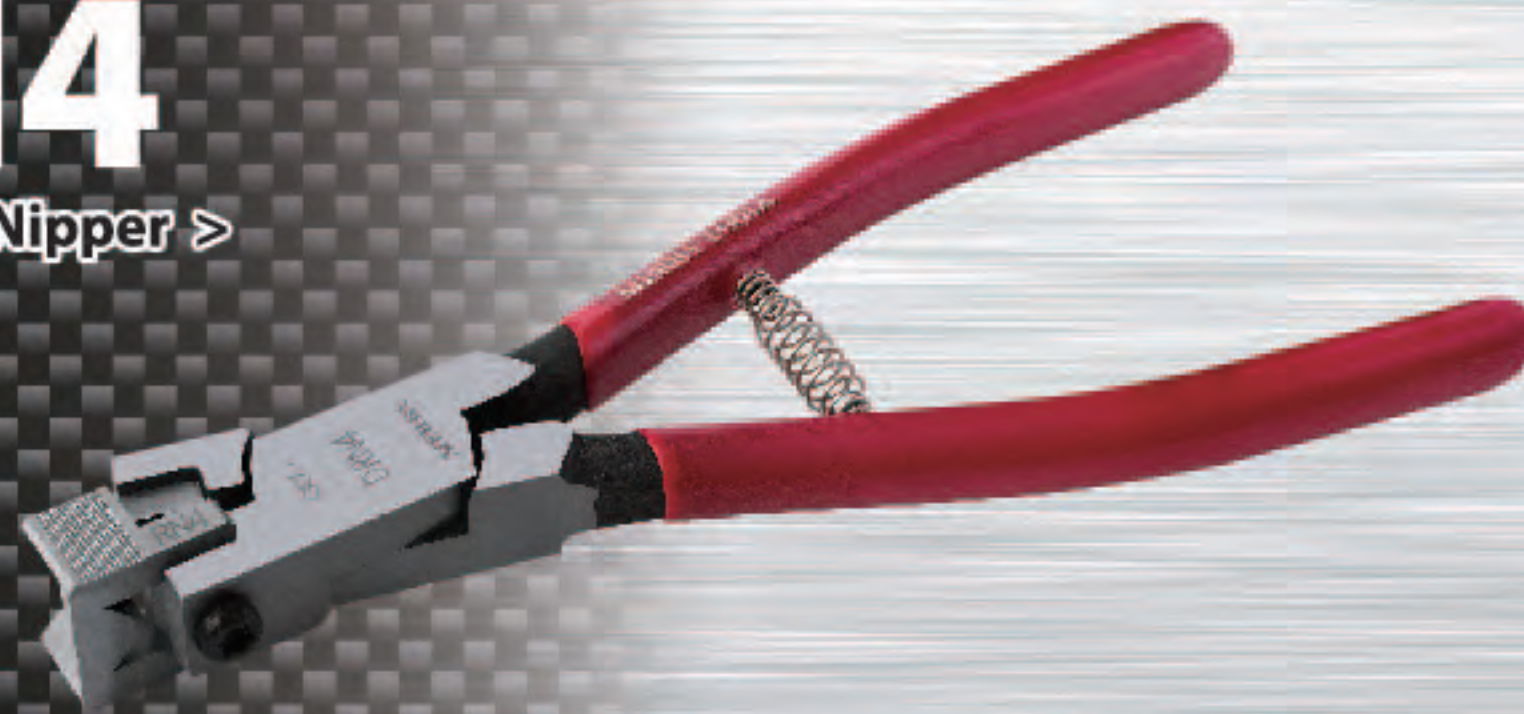
AT-LDC110



Model	Overall length (mm)	Weight (g)	Blade
LDC110	322	700	LD110

DRN4

< DIN Rail Round Nipper >



Model	Overall length (mm)	Weight (g)	Blade
DRN4	200	350	RN4

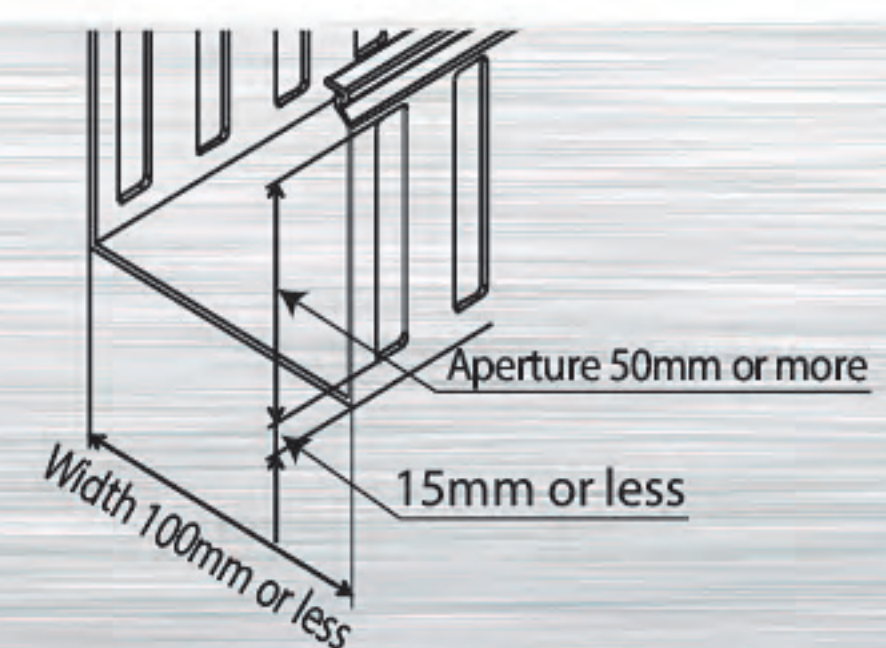
TDC100



Compact design

Duct widths up to 100mm

Safety pin attached



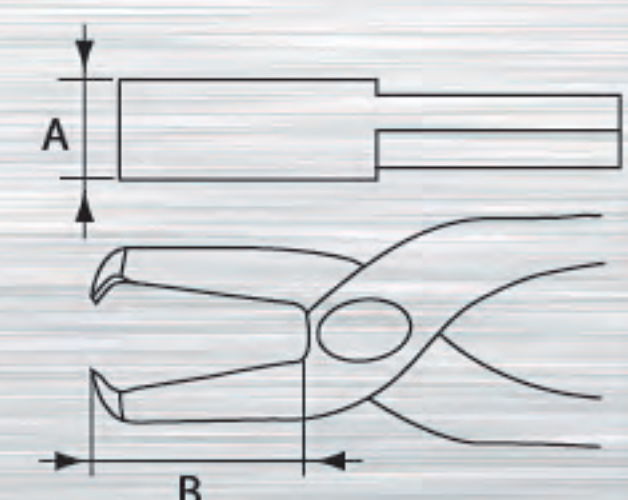
Model	Overall length (mm)		Weight (kg)	Blade length (mm)	Blade
	a	b			
TDC100	300	200	8.4	110	TD100

DK55 DK65

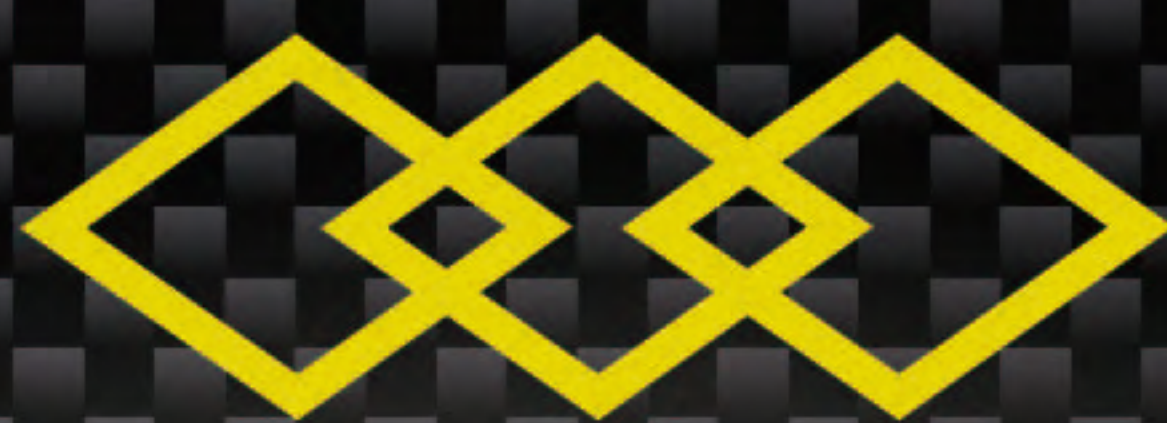
< End cutting type >

Spring Loaded

Round type



Model	Size (mm)	Dimensions (mm)		Weight (g)	Cutting capacity (φmm) Plastics
		A	B		
DK55	250	21.5	55.0	530	8.0
DK65	250	21.5	65.0	505	8.0



MERRY

STRIPPERS



STRIPPERS

VST80

< for VVF wire >



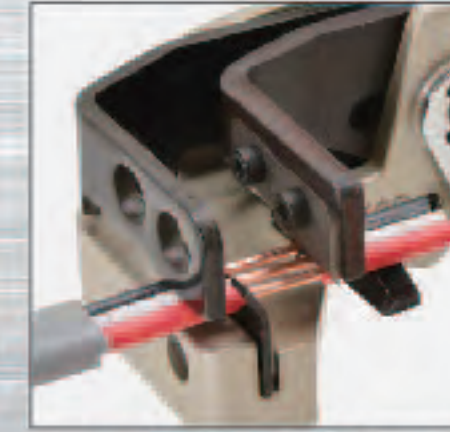
Blade adjusting dial is installed for adjustment of blade opening.



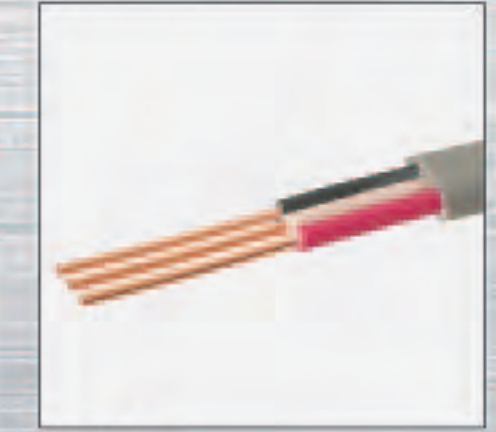
Applicable to 4 different sizes of VVF wires
($\phi 1.6 \times 2$, $\phi 1.6 \times 3$, $\phi 2.0 \times 2$, $\phi 2.0 \times 3$)



stripping outer sheath



stripping inner sheath

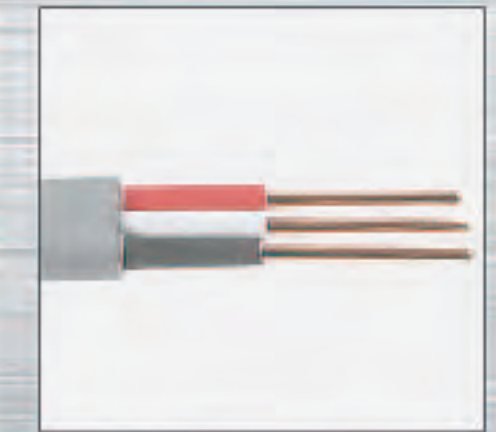
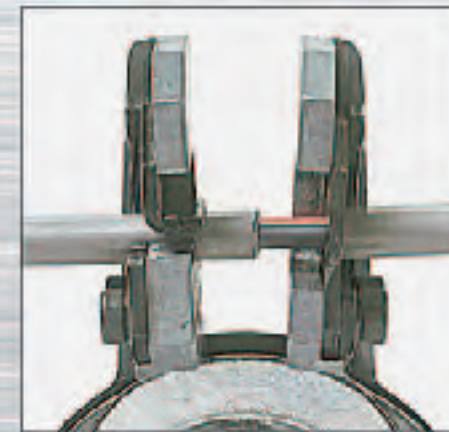


finish

Model	Overall length (mm)	Weight (g)	Blade
VST80	190	380	VB80

VST50

< for VVF wire >



Model	Overall length (mm)	Weight (g)	Cutting capacity (ϕ mm) (VVF)(Outer coat)	Blade
VST50	185	500	1.6 2core wire/2.0 2core wire 1.6 3core wire/2.0 3core wire	VS51

VST25

< Mini wire stripper >

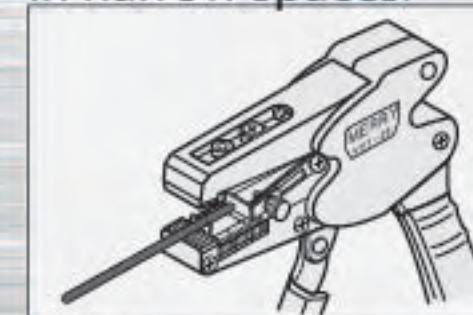
PAT. & PAT.P. in:
Japan, USA, Canada, Australia, UK,
France, Germany, Italy & Korea.



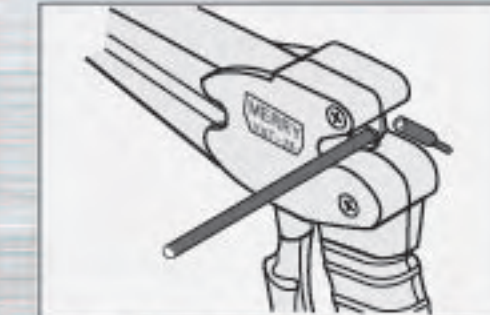
Handy stripper for non-step operation.

Applicable to single and multi-core wires of 0.05mm~3.5mm ($\phi 0.25$ ~2.6mm).
(Stripping length can be adjusted.)

Slim and long head permits operation in narrow spaces.



The V-shaped stripping blade allows easy clutching of the wire.



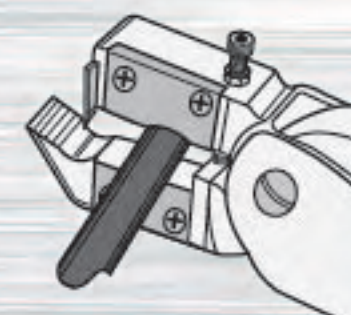
Wire cutting function is additionally provided.

Model	Overall length (mm)	Weight (g)	Stripping capacity (mm ²)	Blade	Cutting capacity (ϕ mm)	Blade
VST25	120	295	0.05~3.5 (AWG30~10)	VS20	2.6	VC25

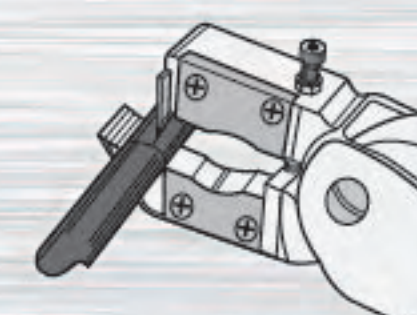
LW25

< Heavy-duty cable stripper >

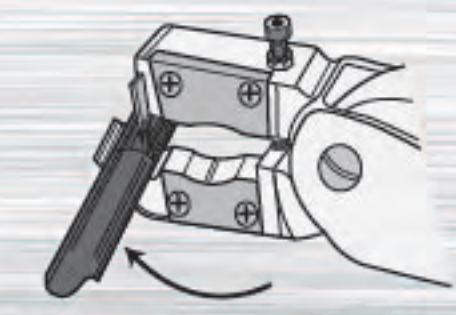
< Light in weight >



① Cut the wire protector crosswise by turning the cable several times.

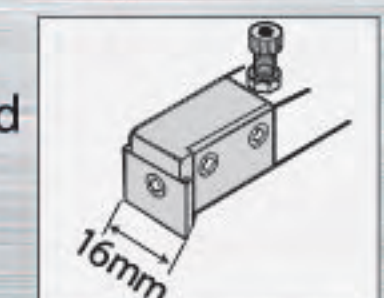


② Slit the wire protector lengthwise.



③ Strip out the cut skin of the protector with the blade by turning the cable. Use hand pliers when necessary.

No experienced professional skill is needed to strip large cables. Quick, safe and easy stripping achievement is assured.

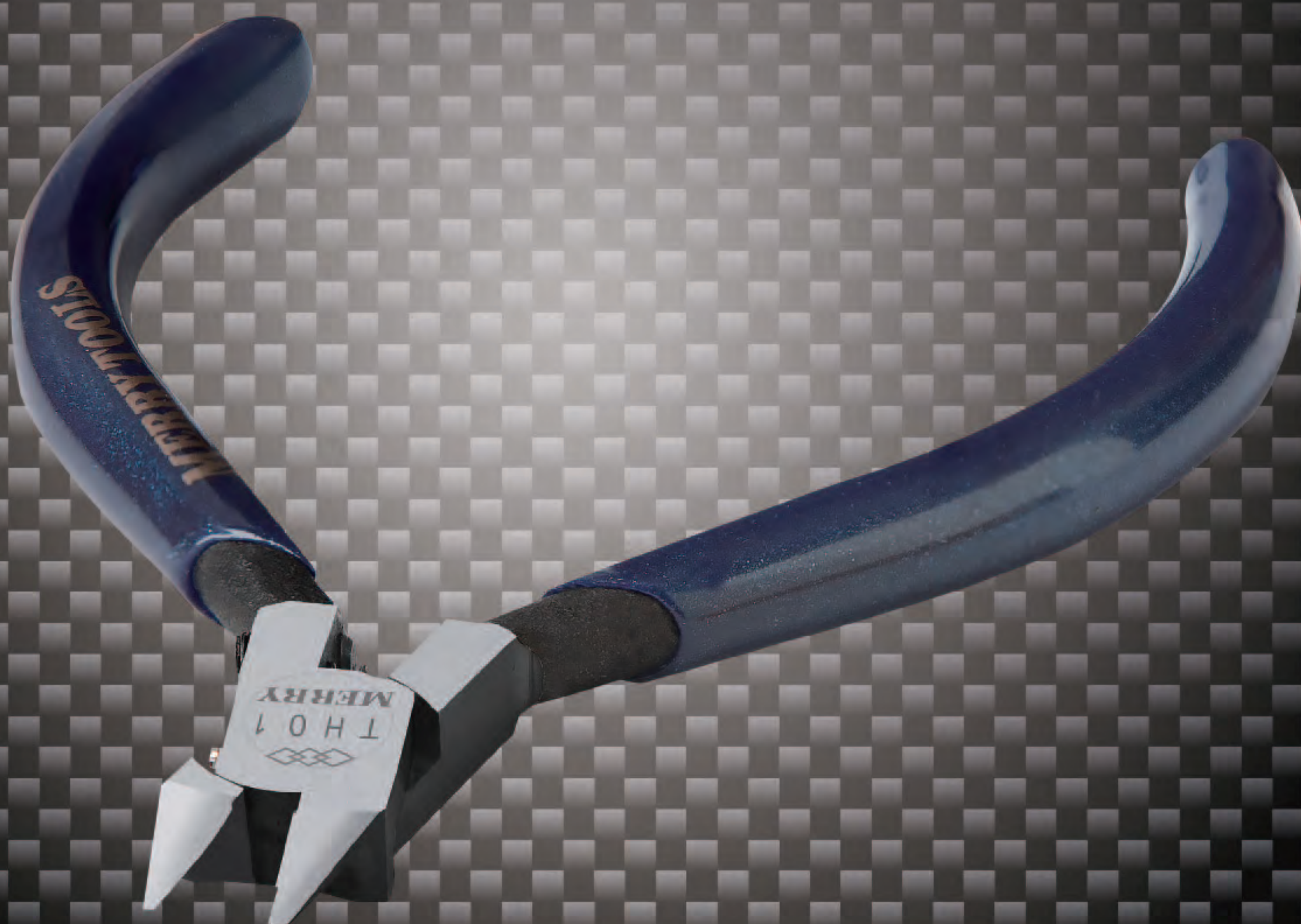


Model	Overall length (mm)	Weight (g)	Stripping capacity	Blade Cross wise	Blade Length wise
LW25	195	245	Maximum $\phi 25$ mm of cable protector Minimum $\phi 8$ mm of core cable	LW25-1	LW25-2



MERRY

ARTISAN PLASTIC NIPPERS



ARTISAN PLASTIC NIPPERS

Section of blade

Round type

Flat type

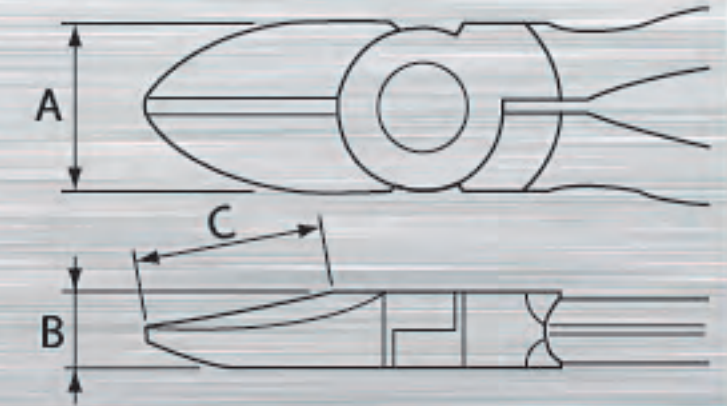
Angle type

TH01

PRO EDGE NIPPER

<Dedicated to plastic modeling>
<Ultra-Thin Flat Single-Edge>

Spring Loaded



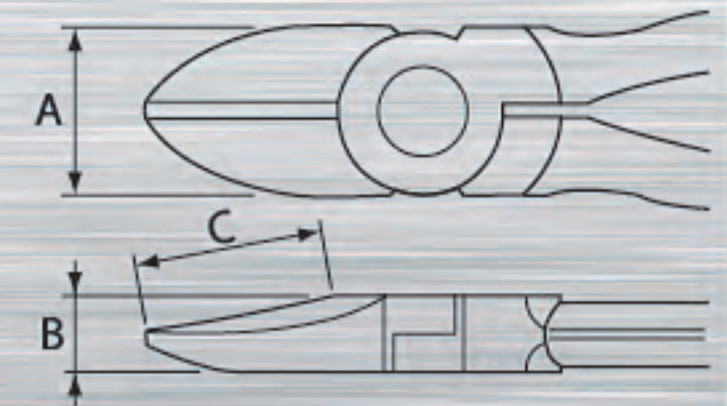
Model	Size (mm)	Dimensions (mm)			Weight (g)	Cutting capacity (φmm)	
		A	B	C		Plastics	
TH01	100	9.0	5.7	7.0	40	2.0	

TH02

SLASH NIPPER

<Dedicated to plastic modeling>
<Ultra-Thin Double-Edge>

Spring Loaded



Model	Size (mm)	Dimensions (mm)			Weight (g)	Cutting capacity (φmm)	
		A	B	C		Plastics	
TH02	100	10.8	7.0	10.0	40	2.0	

TH03

Etching plier

<Dedicated to plastic modeling>

Ideal for bending and mounting parts



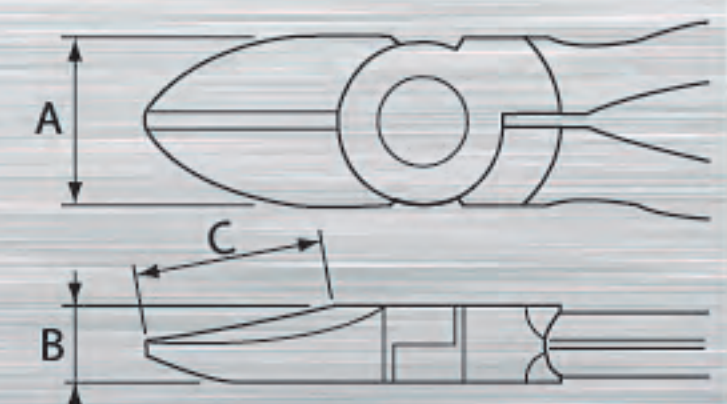
Model	Size (mm)	Weight (g)
TH03	120	70

TH04

Beaked edge nipper

Spring Loaded

Round type



Model	Size (mm)	Dimensions (mm)			Weight (g)	Cutting capacity (φmm)	
		A	B	C		Plastics	
TH04	125	12.0	7.5	7.0	50	2.0	



MERRY

ADDITIONAL HAND TOOLS



ADDITIONAL HAND TOOLS

BARRIER WRENCHES

The unique "MERRY" Barrier Wrenches have solved the problem of difficult bolt / nut fastening and loosening jobs in narrow and hard-to-reach places.

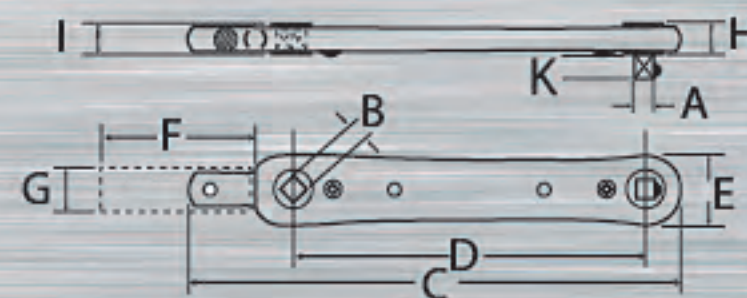
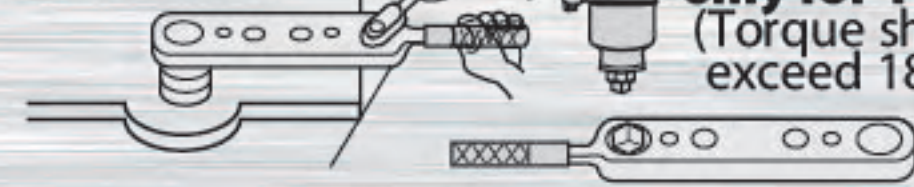
AN EXAMPLE OF APPLICATION

Barrier Wrenches offer safe and smooth service for replacement or adjustment of the cultivator blades in narrow space.



General use with ratchet wrench

Impact Wrench can be used instead of a ratchet wrench **only for YL2.** (Torque should not exceed 180N-m.)



Model	Square size A×B	Weight (g)	Max. allowable torque(N-m)
YL2	□ 12.7□×□ 12.7□	1,665	196
YL2A	□ 12.7□×□ 12.7□	1,410	196

Model	Dimensions(mm)							
	C	D	E	F	G	H	I	K
YL2	323	228	49	210	φ26	20	25	14
YL2A	323	228	49	210	φ26	20	25	14

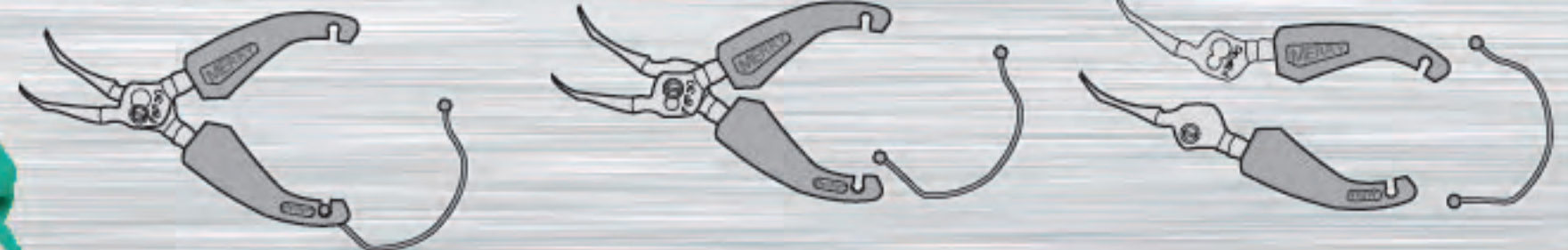
FBP30

Fish boning pliers



HOW TO DISASSEMBLE THE CROSS-STICKS

1. Disconnect either end of the plastic spring.
2. Shift the joint-Screw from small hole to large one.
3. The cross-sticks can be disassembled.



Model	Size (mm)	Weight (g)
FBP30	120	65

HN21

Needle-nose palm pliers



Model	Size (mm)	Weight (g)
HN21	105	40

HN22

Precision palm pliers



〈Stainless steel〉 Needle-nose pliers with a curved palm grip

Perfect for removing bones in fish processing factories.

Model	Size (mm)	Weight (g)
HN22	105	40

CK20

〈Cable cutters〉



Model	Size (mm)	Dimensions(mm)			Weight (g)	Cutting capacity (φmm)
		A	B	C		IV wire
CK20	215	40.0	14.0	24.0	340	60

SPRINGS FOR MERRY NIPPERS AND CUTTERS

Model	Order Quantity	Adaptable Type
MBN-01	10P	55S-120, 160S-125, 02, 09, M11, M12, M14, etc
MBN-02	10P	55S-150, 160S-150, 66S, CT55-150, etc
MBN-03	10P	99-175/200, 206S-175/200, etc
MBN-04	10P	01, 03, 04, 05, 06, 07, 08
MBN-05	10P	L30, L40, HT160, 170S, etc
MBN-06	10P	105-150, 23EF, 25EF, 26EF

Model	Order Quantity	Adaptable Type
MBN-07	10P	99-150, 206S-150, HT120, HT130, HT140
MBN-08	10P	HT180
MBN-09	10P	HT200
MBN-10	5P	PIP19
MBN-11	5P	SX5
MBN-12	5P	SX10, SX15